

## TERMSERIES TRP 5VDC 2CO EMPTY

**Weidmüller Interface GmbH & Co. KG**  
 Klingenbergstraße 26  
 D-32758 Detmold  
 Germany  
 Fon: +49 5231 14-0  
 Fax: +49 5231 14-292083  
 www.weidmueller.com

### Product image



Similar to illustration

TERMSERIES accessories include:

- Spare relay
- Base
- Partition plates
- Cross-connections
- Power-feed modules

### General ordering data

Type	TRP 5VDC 2CO EMPTY
Order No.	<a href="#">2680850000</a>
Version	TERMSERIES, Relay bases, Number of contacts: 2 CO contact, Rated control voltage: 5 V DC $\pm$ 20 %, Continuous current: 10 A, PUSH IN with actuator
GTIN (EAN)	4050118695151
Qty.	10 pc(s).

Creation date April 30, 2020 12:16:00 PM CEST

Catalogue status 17.04.2020 / We reserve the right to make technical changes.

**TERMSERIES**  
**TRP 5VDC 2CO EMPTY**

**Weidmüller Interface GmbH & Co. KG**  
 Klingenbergstraße 26  
 D-32758 Detmold  
 Germany  
 Fon: +49 5231 14-0  
 Fax: +49 5231 14-292083  
 www.weidmueller.com

**Technical data****Dimensions and weights**

Width	12.8 mm	Width (inches)	0.504 inch
Height	89.4 mm	Height (inches)	3.52 inch
Depth	87.8 mm	Depth (inches)	3.457 inch
Net weight	44.5 g		

**Temperatures**

Operating temperature, max.	60 °C	Operating temperature, min.	-40 °C
Storage temperature, max.	85 °C	Storage temperature, min.	-40 °C
Operating temperature	-40 °C...60 °C	Storage temperature	-40 °C...85 °C

**Rated data UL**

Certificate No. (cURus)	E223759	Ambient temperature (operational), max.	60 °C
Output current derating (ohmic)	6 A @ 60 °C, 8 A @ 50 °C	Connection cross-section AWG, min.	AWG 26
Connection cross-section AWG, max.	AWG 14	Type of conductor	rigid copper conductor, flexible copper conductor
Tightening torque, max.	0.4 Nm	Pollution severity level	2
Altitude	≤ 2000 m, above sea level		

**Input**

Rated control voltage	5 V DC ± 20 %	Status indicator	Green LED
Protective circuit	Free-wheeling diode, Reverse polarity protection	Coil voltage of the replacement relay deviating from the rated control voltage	No
Coil voltage of the replacement relay	5 V DC		

**Output**

Rated switching voltage	250 V AC	Continuous current	10 A
-------------------------	----------	--------------------	------

**Contact data**

Contact type	2 CO contact
--------------	--------------

**General data**

Rail	TS 35	Colour	black
UL 94 flammability rating	V-0		

**Insulation coordination**

Rated voltage	300 V	Surge voltage category	III
Pollution severity	2	Protection degree	IP20
Dielectric strength, Input/Output	1.2 kV <sub>eff</sub> / 5 s	Creepage and clearance distance input – output	≥ 5.5 mm
Dielectric strength of neighbouring contacts	2.5 kV <sub>eff</sub>	Dielectric strength to mounting rail	4 kV <sub>eff</sub> / 1 Min.
Impulse withstand voltage	6 kV (1.2/50 μs)		

**Further details of approvals / standards**

Certificate No. (cURus)	E223759
-------------------------	---------

**TERMSERIES**  
**TRP 5VDC 2CO EMPTY**

**Weidmüller Interface GmbH & Co. KG**  
 Klingenbergstraße 26  
 D-32758 Detmold  
 Germany  
 Fon: +49 5231 14-0  
 Fax: +49 5231 14-292083  
 www.weidmueller.com

**Technical data****Connection data**

Wire connection method	PUSH IN with actuator	Stripping length, rated connection	8 mm
Clamping range, rated connection	1.5 mm <sup>2</sup>	Clamping range, min.	0.14 mm <sup>2</sup>
Clamping range, max.	2.5 mm <sup>2</sup>	Wire connection cross section AWG, min.	AWG 26
Wire connection cross section AWG, max.	AWG 14	Wire cross-section, solid, min.	0.14 mm <sup>2</sup>
Wire cross-section, solid, max.	2.5 mm <sup>2</sup>	Wire connection cross-section, finely stranded, min.	0.14 mm <sup>2</sup>
Wire connection cross section, finely stranded, max.	2.5 mm <sup>2</sup>	Wire cross-section, finely stranded, min. (AWG)	AWG 26
Wire cross-section, finely stranded, max. (AWG)	AWG 14	Wire connection cross-section, finely stranded with wire-end ferrules DIN 46228/4, min.	0.25 mm <sup>2</sup>
Wire connection cross-section, finely stranded with wire-end ferrules DIN 46228/4, max.	2.5 mm <sup>2</sup>	Conductor cross-section, flexible, AEH (DIN 46228-1), min.	0.25 mm <sup>2</sup>
Conductor cross-section, flexible, AEH (DIN 46228-1), max.	2.5 mm <sup>2</sup>	Wire connection cross section, finely stranded, two clampable wires, min.	0.5 mm <sup>2</sup>
Wire cross-section, finely stranded, two clampable wires, max.	1 mm <sup>2</sup>	Twin wire-end ferrules, min.	0.5 mm <sup>2</sup>
Twin wire-end ferrules, max.	1 mm <sup>2</sup>	Blade size	0.4 x 2.0 mm

**Classifications**

ETIM 6.0	EC001456	ETIM 7.0	EC001456
eClass 9.0	27-37-16-03	eClass 9.1	27-37-16-03
eClass 10.0	27-37-16-03		

**Approvals**

Approvals

**Downloads**

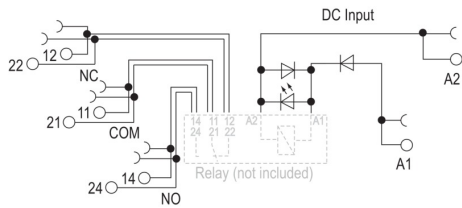
Approval/Certificate/Document of Conformity	<a href="#">EU Konformitätserklärung / EU Declaration of Conformity</a>
Engineering Data	<a href="#">STEP</a>
User Documentation	<a href="#">Beipackzettel / Package Insert – multilingual</a>

**TERMSERIES  
TRP 5VDC 2CO EMPTY**

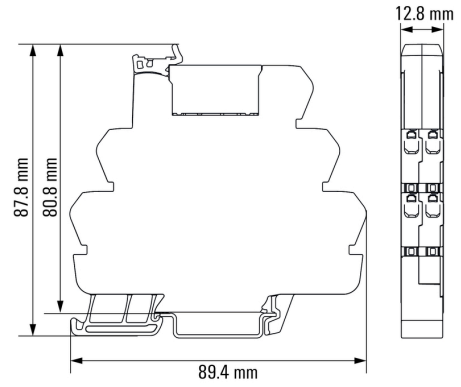
**Weidmüller Interface GmbH & Co. KG**  
 Klingenbergstraße 26  
 D-32758 Detmold  
 Germany  
 Fon: +49 5231 14-0  
 Fax: +49 5231 14-292083  
 www.weidmueller.com

**Drawings**

**Wiring diagram**



**Dimensional drawing**



**TERMSERIES  
TRP 5VDC 2CO EMPTY**

**Weidmüller Interface GmbH & Co. KG**  
 Klingenbergstraße 26  
 D-32758 Detmold  
 Germany  
 Fon: +49 5231 14-0  
 Fax: +49 5231 14-292083  
 www.weidmueller.com

**Mating connector (fully pluggable)**

**2 CO contacts**



TERMSERIES accessories include:

- Spare relay
- Base
- Partition plates
- Cross-connections
- Power-feed modules

**General ordering data**

Type	RCL424005	Version
Order No.	<a href="#">8693790000</a>	TERMSERIES, Relay, Number of contacts: 2 CO contact AgNi 90/10,
GTIN (EAN)	4032248365258	Rated control voltage: 5 V DC, Continuous current: 8 A, Plug-in
Qty.	20 pc(s).	connection

**2 CO contact / hard gold-plated contacts**



TERMSERIES accessories include:

- Spare relay
- Base
- Partition plates
- Cross-connections
- Power-feed modules

**General ordering data**

Type	RCL425005	Version
Order No.	<a href="#">1174490000</a>	TERMSERIES, Relay, Number of contacts: 2 CO contact AgNi 5µm
GTIN (EAN)	4050118049701	Au, Rated control voltage: 5 V DC, Continuous current: 8 A, Plug-in
Qty.	20 pc(s).	connection

## TERMSERIES TRP 5VDC 2CO EMPTY

**Weidmüller Interface GmbH & Co. KG**  
 Klingenbergstraße 26  
 D-32758 Detmold  
 Germany  
 Fon: +49 5231 14-0  
 Fax: +49 5231 14-292083  
 www.weidmueller.com

## Accessories

### Supply module



TERMSERIES accessories include:

- Spare relay
- Base
- Partition plates
- Cross-connections
- Power-feed modules

### General ordering data

Type	TXZ SUPPLY	Version
Order No.	<a href="#">1240790000</a>	TERMSERIES, Supply module, Number of contacts: 5, Continuous current: 10 A, Tension-clamp connection
GTIN (EAN)	4050118028164	
Qty.	10 pc(s).	
Type	TXS SUPPLY	Version
Order No.	<a href="#">1240780000</a>	TERMSERIES, Supply module, Number of contacts: 5, Continuous current: 10 A, Screw connection
GTIN (EAN)	4050118028140	
Qty.	10 pc(s).	
Type	TXP SUPPLY	Version
Order No.	<a href="#">2618940000</a>	TERMSERIES, Supply module, Number of contacts: 5, Continuous current: 10 A, PUSH IN with actuator
GTIN (EAN)	4050118667592	
Qty.	10 pc(s).	

### Blank



WS markers are the perfect match for the W-series connectors. Thanks to their system compatibility, the WS tags can also be used with the I-series and the Z-series. The large marking surfaces do not only permit long character strings but also multi-line text. WS markers are ideal for labels with long, customised character strings. Thanks to the proven MultiCard format, printing with laser printer, PrintJet ADVANCED, plotter or MC-Mobilo is possible.

- Can be fitted in strips or individually
- Markers in proven MultiCard format

**For custom printing:** Please send us a file of our labeling software M-Print PRO or M-Print PRO Online (without installation) for your labeling specifications.

### General ordering data

Type	WS 10/12 MC NE WS	Version
Order No.	<a href="#">1905970000</a>	WS, Terminal marker, 10 x 12 mm, Pitch in mm (P): 12.00
GTIN (EAN)	4032248528127	Weidmueller, white
Qty.	300 pc(s).	

**TERMSERIES  
TRP 5VDC 2CO EMPTY**

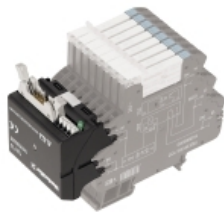
**Weidmüller Interface GmbH & Co. KG**  
 Klingenbergstraße 26  
 D-32758 Detmold  
 Germany  
 Fon: +49 5231 14-0  
 Fax: +49 5231 14-292083  
 www.weidmueller.com

**Accessories**
**Slotted screwdriver**

Slotted screwdriver with rounded blade SD DIN 5265, ISO 2380/2, output to DIN 5264, ISO 2380/1. ChromTop tip, SoftFinish grip


**General ordering data**

Type	SDS 0.4X2.0X60	Version
Order No.	<a href="#">9037160000</a>	Screwdriver, Blade width (B): 2 mm, Blade length: 60 mm, Blade thickness (A): 0.4 mm
GTIN (EAN)	4032248171613	
Qty.	1 pc(s).	

**Adapters**


Extensive wiring efforts lead to high throughput times in electrical cabinet building. Thanks to our TERMSERIES interface adapter, you benefit from the speed of our plug-and-play solution.

To reduce wiring times, pre-assembled cables are used between the control system and the interface level, and are simply connected to the TERMSERIES adapter. This enables throughput times in electrical cabinet building to be significantly reduced.

Our pre-assembled plug-and-play solution with TERMSERIES interface adapter enables minimised wiring effort. The adapter has a universal fit and offers a genuine space advantage in interaction with the TERMSERIES products with identical contours.

Thanks to its symmetrical structure, the adapter can be connected to both TERMSERIES coil and contact connections. The use of positive- and negative-switching logic is also possible for the lower level thanks to the potential changeover switch.

**General ordering data**

Type	TIAL F10	Version
Order No.	<a href="#">1463540000</a>	TERMSERIES, Adapter, 10-pole plug according to DIN EN 60603-13, long locking lever, Number of signal paths: 8, Rated voltage : 24 V DC, Rated current (per signal path): 125 mA
GTIN (EAN)	4050118323559	
Qty.	1 pc(s).	
Type	TIAL F20	Version
Order No.	<a href="#">1463550000</a>	TERMSERIES, Adapter, 20-pole plug according to DIN EN 60603-13, long locking lever, Number of signal paths: 16, Rated voltage : 24 V DC, Rated current (per signal path): 60 mA
GTIN (EAN)	4050118331783	
Qty.	1 pc(s).	

## TERMSERIES TRP 5VDC 2CO EMPTY

**Weidmüller Interface GmbH & Co. KG**  
 Klingenbergstraße 26  
 D-32758 Detmold  
 Germany  
 Fon: +49 5231 14-0  
 Fax: +49 5231 14-292083  
 www.weidmueller.com

## Accessories

### Blank



WS markers are the perfect match for the W-series connectors. Thanks to their system compatibility, the WS tags can also be used with the I-series and the Z-series. The large marking surfaces do not only permit long character strings but also multi-line text. WS markers are ideal for labels with long, customised character strings. Thanks to the proven MultiCard format, printing with laser printer, PrintJet ADVANCED, plotter or MC-Mobilo is possible.

- Can be fitted in strips or individually
- Markers in proven MultiCard format

**For custom printing:** Please send us a file of our labeling software M-Print PRO or M-Print PRO Online (without installation) for your labeling specifications.

### General ordering data

Type	WS 10/6 M MC NE WS	Version
Order No.	<a href="#">1818400000</a>	WS, Terminal marker, 10 x 6 mm, Pitch in mm (P): 6.00 Weidmueller,
GTIN (EAN)	4032248310876	Allen-Bradley, white
Qty.	600 pc(s).	

### Cross-connector



TERMSERIES accessories include:

- Spare relay
- Base
- Partition plates
- Cross-connections
- Power-feed modules

### General ordering data

Type	TCC 12.8/26 BL	Version
Order No.	<a href="#">2556460000</a>	TERMSERIES, Cross-connector
GTIN (EAN)	4050118566970	
Qty.	10 pc(s).	
Type	TCC 6.4/2 BK	Version
Order No.	<a href="#">2556470000</a>	TERMSERIES, Cross-connector
GTIN (EAN)	4050118566987	
Qty.	10 pc(s).	
Type	TCC 6.4/10 BK	Version
Order No.	<a href="#">2556480000</a>	TERMSERIES, Cross-connector
GTIN (EAN)	4050118566994	
Qty.	10 pc(s).	
Type	TCC 6.4/51 RD	Version
Order No.	<a href="#">2556410000</a>	TERMSERIES, Cross-connector
GTIN (EAN)	4050118566925	
Qty.	10 pc(s).	

Creation date April 30, 2020 12:16:00 PM CEST



## TERMSERIES TRP 5VDC 2CO EMPTY

**Weidmüller Interface GmbH & Co. KG**  
 Klingenbergstraße 26  
 D-32758 Detmold  
 Germany  
 Fon: +49 5231 14-0  
 Fax: +49 5231 14-292083  
 www.weidmueller.com

## Accessories

Type	TCC 6.4/10 BL	Version
Order No.	<a href="#">2556440000</a>	TERMSERIES, Cross-connector
GTIN (EAN)	4050118566956	
Qty.	10 pc(s).	
Type	ZQV 1.5N/R6.4/19 RT	Version
Order No.	<a href="#">1391610000</a>	TERMSERIES, Cross-connector
GTIN (EAN)	4050118191783	
Qty.	10 pc(s).	
Type	TCC 6.4/2 BL	Version
Order No.	<a href="#">2556430000</a>	TERMSERIES, Cross-connector
GTIN (EAN)	4050118566949	
Qty.	10 pc(s).	
Type	TCC 6.4/10 OR	Version
Order No.	<a href="#">2556360000</a>	TERMSERIES, Cross-connector
GTIN (EAN)	4050118566673	
Qty.	10 pc(s).	
Type	TCC 12.8/26 RD	Version
Order No.	<a href="#">2556420000</a>	TERMSERIES, Cross-connector
GTIN (EAN)	4050118566932	
Qty.	10 pc(s).	
Type	TCC 12.8/26 OR	Version
Order No.	<a href="#">2556380000</a>	TERMSERIES, Cross-connector
GTIN (EAN)	4050118566697	
Qty.	10 pc(s).	
Type	TCC 6.4/2 OR	Version
Order No.	<a href="#">2556350000</a>	TERMSERIES, Cross-connector
GTIN (EAN)	4050118566826	
Qty.	10 pc(s).	
Type	ZQV 1.5N/R6.4/19 GE	Version
Order No.	<a href="#">1193690000</a>	TERMSERIES, Cross-connector
GTIN (EAN)	4032248976645	
Qty.	10 pc(s).	
Type	TCC 6.4/51 BL	Version
Order No.	<a href="#">2556450000</a>	TERMSERIES, Cross-connector
GTIN (EAN)	4050118566963	
Qty.	10 pc(s).	
Type	ZQV 1.5N/R6.4/2 RT	Version
Order No.	<a href="#">1446090000</a>	TERMSERIES, Cross-connector
GTIN (EAN)	4050118250886	
Qty.	10 pc(s).	
Type	TCC 6.4/51 OR	Version
Order No.	<a href="#">2556370000</a>	TERMSERIES, Cross-connector
GTIN (EAN)	4050118566680	
Qty.	10 pc(s).	
Type	ZQV 1.5N/R6.4/10 GE	Version
Order No.	<a href="#">1193680000</a>	TERMSERIES, Cross-connector
GTIN (EAN)	4032248976454	
Qty.	10 pc(s).	
Type	TCC 6.4/2 RD	Version
Order No.	<a href="#">2556390000</a>	TERMSERIES, Cross-connector
GTIN (EAN)	4050118566901	
Qty.	10 pc(s).	

Creation date April 30, 2020 12:16:00 PM CEST

**TERMSERIES**  
**TRP 5VDC 2CO EMPTY**

**Weidmüller Interface GmbH & Co. KG**  
 Klingenbergstraße 26  
 D-32758 Detmold  
 Germany  
 Fon: +49 5231 14-0  
 Fax: +49 5231 14-292083  
 www.weidmueller.com

**Accessories**

Type	ZQV 1.5N/R6.4/2 SW	Version
Order No.	<a href="#">1446040000</a>	TERMSERIES, Cross-connector
GTIN (EAN)	4050118251067	
Qty.	10 pc(s).	
Type	TCC 6.4/10 RD	Version
Order No.	<a href="#">2556400000</a>	TERMSERIES, Cross-connector
GTIN (EAN)	4050118566918	
Qty.	10 pc(s).	
Type	ZQV 1.5N/R6.4/2 GE	Version
Order No.	<a href="#">1193670000</a>	TERMSERIES, Cross-connector
GTIN (EAN)	4032248976638	
Qty.	10 pc(s).	
Type	ZQV 1.5N/R6.4/2 BL	Version
Order No.	<a href="#">1446140000</a>	TERMSERIES, Cross-connector
GTIN (EAN)	4050118251074	
Qty.	10 pc(s).	
Type	TCC 12.8/26 BK	Version
Order No.	<a href="#">2556500000</a>	TERMSERIES, Cross-connector
GTIN (EAN)	4050118567014	
Qty.	10 pc(s).	
Type	ZQV 1.5N/R6.4/10 SW	Version
Order No.	<a href="#">1391630000</a>	TERMSERIES, Cross-connector
GTIN (EAN)	4050118191776	
Qty.	10 pc(s).	
Type	TCC 6.4/51 BK	Version
Order No.	<a href="#">2556490000</a>	TERMSERIES, Cross-connector
GTIN (EAN)	4050118567007	
Qty.	10 pc(s).	
Type	ZQV 1.5N/R6.4/19 BL	Version
Order No.	<a href="#">1391620000</a>	TERMSERIES, Cross-connector
GTIN (EAN)	4050118191813	
Qty.	10 pc(s).	
Type	ZQV 1.5N/R6.4/10 BL	Version
Order No.	<a href="#">1390350000</a>	TERMSERIES, Cross-connector
GTIN (EAN)	4050118190793	
Qty.	10 pc(s).	
Type	ZQV 1.5N/R6.4/10 RT	Version
Order No.	<a href="#">1391640000</a>	TERMSERIES, Cross-connector
GTIN (EAN)	4050118191660	
Qty.	10 pc(s).	
Type	ZQV 1.5N/R6.4/19 SW	Version
Order No.	<a href="#">1391600000</a>	TERMSERIES, Cross-connector
GTIN (EAN)	4050118191806	
Qty.	10 pc(s).	

**Data sheet**

**TERMSERIES  
TRP 5VDC 2CO EMPTY**

**Weidmüller Interface GmbH & Co. KG**  
 Klingenbergstraße 26  
 D-32758 Detmold  
 Germany  
 Fon: +49 5231 14-0  
 Fax: +49 5231 14-292083  
 www.weidmueller.com

**Accessories**

**Slotted screwdriver**

VDE insulated slot-head screwdriver, SDI DIN 7437, ISO 2380/2, drive output acc. to DIN 5264, ISO 2380/1. SoftFinish grip



**General ordering data**

Type	SDIS 0.4X2.0X60	Version
Order No.	<a href="#">9205690000</a>	Screwdriver, Blade width (B): 2 mm, Blade length: 60 mm, Blade thickness (A): 0.4 mm
GTIN (EAN)	4032248772995	
Qty.	1 pc(s).	

**Partition plate**



TERMSERIES accessories include:

- Spare relay
- Base
- Partition plates
- Cross-connections
- Power-feed modules

**General ordering data**

Type	TW TXS/TXZ R3.2	Version
Order No.	<a href="#">1240800000</a>	TERMSERIES, Separation plate
GTIN (EAN)	4050118028188	
Qty.	10 pc(s).	

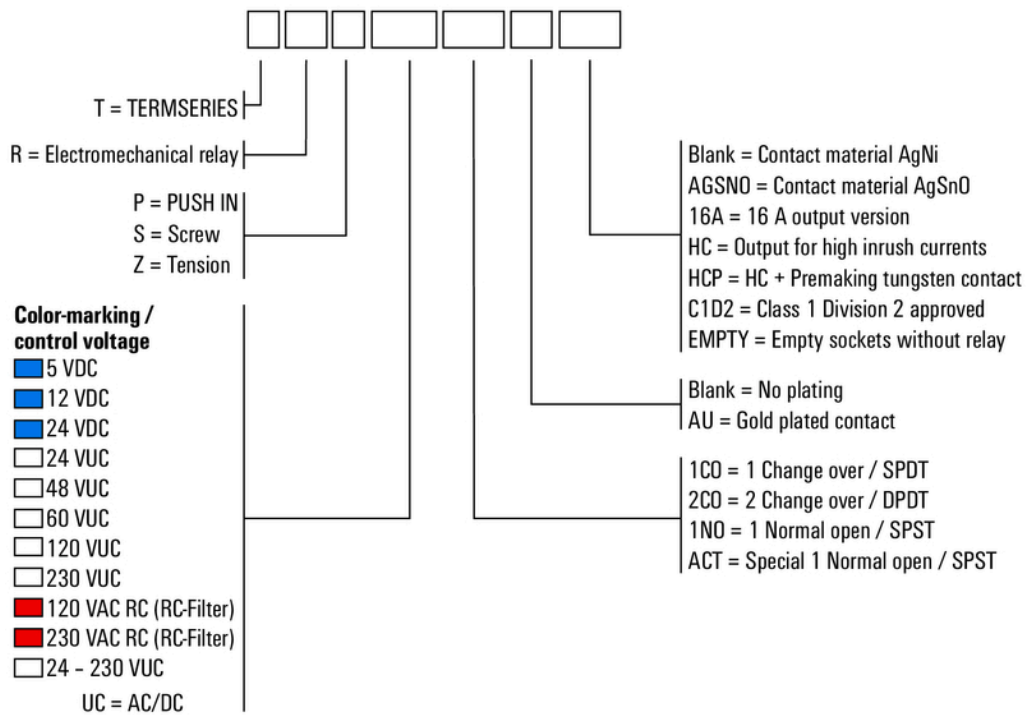
**TERMSERIES  
TRP 5VDC 2CO EMPTY**

**Weidmüller Interface GmbH & Co. KG**  
 Klingenbergstraße 26  
 D-32758 Detmold  
 Germany  
 Fon: +49 5231 14-0  
 Fax: +49 5231 14-292083  
 www.weidmueller.com

**Drawings**

**Miscellaneous**

**Type code TERMSERIES electromechanical relay versions**



Type codes