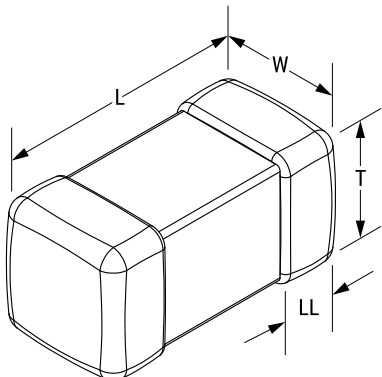


KEMET, Z-PMS, Ferrite Beads, Noise Suppression, 30 mOhms



| Dimensions |                 |
|------------|-----------------|
| Chip Size  | 0402            |
| L          | 1mm +/-0.05mm   |
| W          | 0.5mm +/-0.05mm |
| T          | 0.5mm +/-0.05mm |
| B          | 0.25mm +/-0.1mm |

| Packaging Specifications |       |
|--------------------------|-------|
| Packaging:               | T&R   |
| Packaging Quantity:      | 10000 |

| General Information |  |
|---------------------|--|
| Series:             | Z-PMS  |
| Style:              | SMD Chip   |
| Description:        | Chip Bead, Power Line  |
| Features:           | Suppresses The XL Component;<br>Helps Stop The Reduction Of<br>The Wave-Form Integrity |
| RoHS:               | Yes  |

| Specifications       |                   |
|----------------------|-------------------|
| Impedance:           | 10 Ohms (100 mHz) |
| Impedance Tolerance: | 25%               |
| Ripple Current:      | 2000 mA (MAX)     |
| Temperature Range:   | -55/+85°C         |
| Resistance:          | 0.03 Ohms         |