



Ledinaire Slim Downlight DN065B G2 & DN065C

DN065B G2 LED19/830 22W 220V D200 RD EU

830 warm white - Power supply unit - White

The LEDINAIRE range contains a selection of popular off-the-shelf LED luminaires that come with the high Philips quality levels at a competitive price. Reliable, energy-efficient and affordable – just what you need

Product data

General Information		Service tag	
Light source color	830 warm white	Service tag	Yes
Light source replaceable	No	Operating and Electrical	
Driver/power unit/transformer	Power supply unit	Input Voltage	220 to 240 V
Driver included	Yes	Input Frequency	50 or 60 Hz
Optic type	Beam angle 110°	Inrush current	6.07 A
Connection	Connection unit 2-pole	Inrush time	0.272 ms
Cable	Cable 0.2 m with cable connector	Power Factor (Min)	0.75
Protection class IEC	Safety class II	Controls and Dimming	
Glow-wire test	Temperature 650 °C, duration 30 s	Dimmable	No
Flammability mark	For mounting on normally flammable surfaces	Mechanical and Housing	
Warranty period	3 years	Housing Material	Metal-Plastic
Constant light output	No	Optic material	Polycarbonate
Number of products on MCB of 16 A type B	48	Optical cover/lens material	Polycarbonate
EU RoHS compliant	Yes		

Ledinaire Slim Downlight DN065B G2 & DN065C

Fixation material	Steel
Optical cover/lens finish	Matte
Overall height	45 mm
Overall diameter	225 mm
Color	White
Dimensions (Height x Width x Depth)	45 x NaN x NaN mm (1.8 x NaN x NaN in)

Approval and Application

Ingress protection code	IP20 [Finger-protected]
Mech. impact protection code	IK03 [0.3 J]

Initial Performance (IEC Compliant)

Initial luminous flux (system flux)	1900 lm
Luminous flux tolerance	+/-10%
Initial LED luminaire efficacy	86.00 lm/W
Init. Corr. Color Temperature	3000 K
Init. Color Rendering Index	80
Initial chromaticity	(0.4367, 0.3933) 5SDCM
Initial input power	22 W
Power consumption tolerance	+/-10%

Over Time Performance (IEC Compliant)

Median useful life L70B50	35000 h
---------------------------	---------

Application Conditions

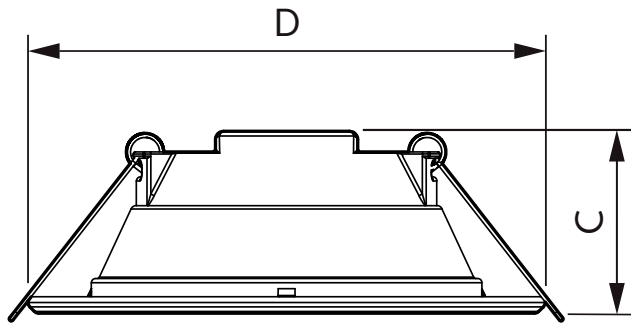
Ambient temperature range	-20 to +40 °C
Suitable for random switching	No

Product Data

Full product code	871869967943900
Order product name	DN065B G2 LED19/830 22W 220V D200 RD EU
EAN/UPC - Product	8718699679439
Order code	929002220632
Numerator - Quantity Per Pack	1
Numerator - Packs per outer box	12
Material Nr. (12NC)	929002220632
Net Weight (Piece)	0.333 kg



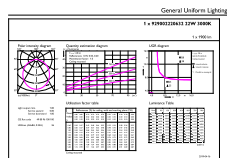
Dimensional drawing



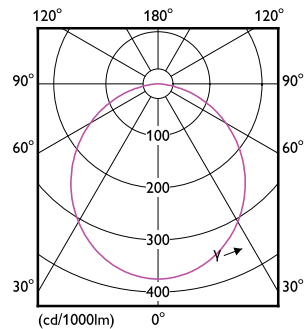
DN065B LED19 830 23W 220-240V D200 EU ND

Product	D	C
DN065B G2 LED19/830 22W 220V D200 RD EU	225 mm	45 mm

Photometric data



General Parameters (1) Photo Lighting (1) Page 1/1



Downlight DN065B G2 LED19 830 D200 RD EU

Downlight DN065B G2 LED19 830 D200 RD EU

Ledinaire Slim Downlight DN065B G2 & DN065C

