



Downlight DN060B

DN060B LED18S/840 PSU WH

LED Module, system flux 1800 lm - 840 neutral white - Power supply unit - White

The LEDINAIRE range contains a selection of popular off-the-shelf LED luminaires that come with the high Philips quality levels at a competitive price. Reliable, energy-efficient and affordable – just what you need.

Product data

General Information	
Lamp family code	LED18S [LED Module, system flux 1800 lm]
Beam angle of light source	90 x 90 °
Light source color	840 neutral white
Light source replaceable	No
Number of gear units	1 unit
Gear	-
Driver/power unit/transformer	Power supply unit
Driver included	Yes
Optic type	Symmetrical
Luminaire light beam spread	10°
Connection	Push-in connector 2-pole
Cable	-
Protection class IEC	Safety class I
Glow-wire test	Temperature 650 °C, duration 5 s
Flammability mark	-
CE mark	CE mark
ENEC mark	-
Warranty period	3 years

Remarks	*-Per Lighting Europe guidance paper "Evaluating performance of LED based luminaires - January 2018": statistically there is no relevant difference in lumen maintenance between B50 and for example B10. Therefore, the median useful life (B50) value also represents the B10 value.
Constant light output	No
Number of products on MCB of 16 A type B	48
EU RoHS compliant	Yes
Service tag	Yes
Operating and Electrical	
Input Voltage	220-240 V
Input Frequency	50 to 60 Hz
Control signal voltage	-
Inrush current	17.2 A
Inrush time	0.0016 ms

Downlight DN060B

Power Factor (Min)	0.9
Controls and Dimming	
Dimmable	No
Mechanical and Housing	
Housing Material	Metal-Plastic
Reflector material	Steel
Optic material	Polycarbonate
Optical cover/lens material	Polycarbonate
Fixation material	Stainless steel
Optical cover/lens finish	Opal
Overall height	120 mm
Overall diameter	233 mm
Color	White
Dimensions (Height x Width x Depth)	120 x NaN x NaN mm (4.7 x NaN x NaN in)
Approval and Application	
Ingress protection code	IP20 [Finger-protected]
Mech. impact protection code	IK02 [0.2 J standard]
Initial Performance (IEC Compliant)	
Initial luminous flux (system flux)	1800 lm
Luminous flux tolerance	+/-10%
Initial LED luminaire efficacy	100 lm/W
Init. Corr. Color Temperature	4000 K
Init. Color Rendering Index	>80

Initial chromaticity	(0.38, 0.38) SDCM <5
Initial input power	18 W
Power consumption tolerance	+/-10%

Over Time Performance (IEC Compliant)

Control gear failure rate at median useful life 50000 h	7.5 %
Lumen maintenance at median useful life* 50000 h	L65

Application Conditions

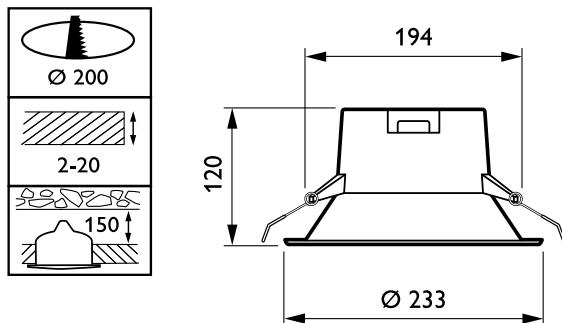
Ambient temperature range	0 to +35 °C
Performance ambient temperature Tq	25 °C

Product Data

Full product code	871016330663699
Order product name	DN060B LED18S/840 PSU WH
EAN/UPC - Product	8710163306636
Order code	911401532131
Numerator - Quantity Per Pack	1
Numerator - Packs per outer box	8
Material Nr. (12NC)	911401532131
Net Weight (Piece)	0.630 kg



Dimensional drawing



SmartBright LED DN060B-DN063B

Downlight DN060B

