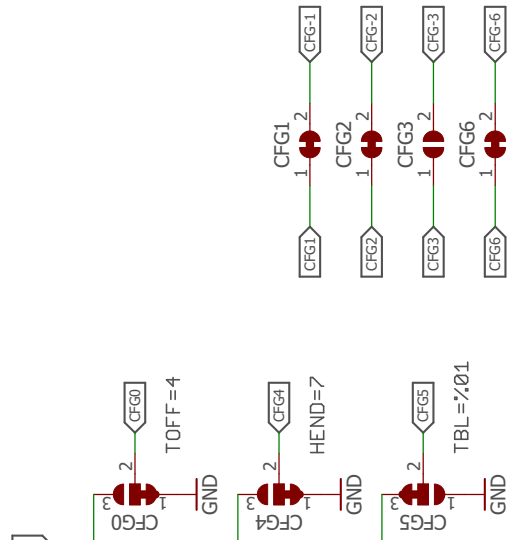


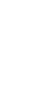
CFG6/En -> Driver enabled
 GND -> Driver disabled
 Vio -> Driver disabled
 Open -> Driver enabled with ramp down from 100% to 34% after about 3s

CFG2	CFG1	Steps	Interpolation	Chopper Mode
GND	GND	1	No	spreadCycle
GND	Vio	2	No	spreadCycle
GND	Open	2	Yes to 256	spreadCycle
Vio	GND	4	No	spreadCycle
Vio	Vio	16	No	spreadCycle
Vio	Open	4	Yes to 256	spreadCycle
Open	GND	16	Yes to 256	spreadCycle
Open	Vio	4	Yes to 256	stealthChop
Open	Open	16	Yes to 256	stealthChop

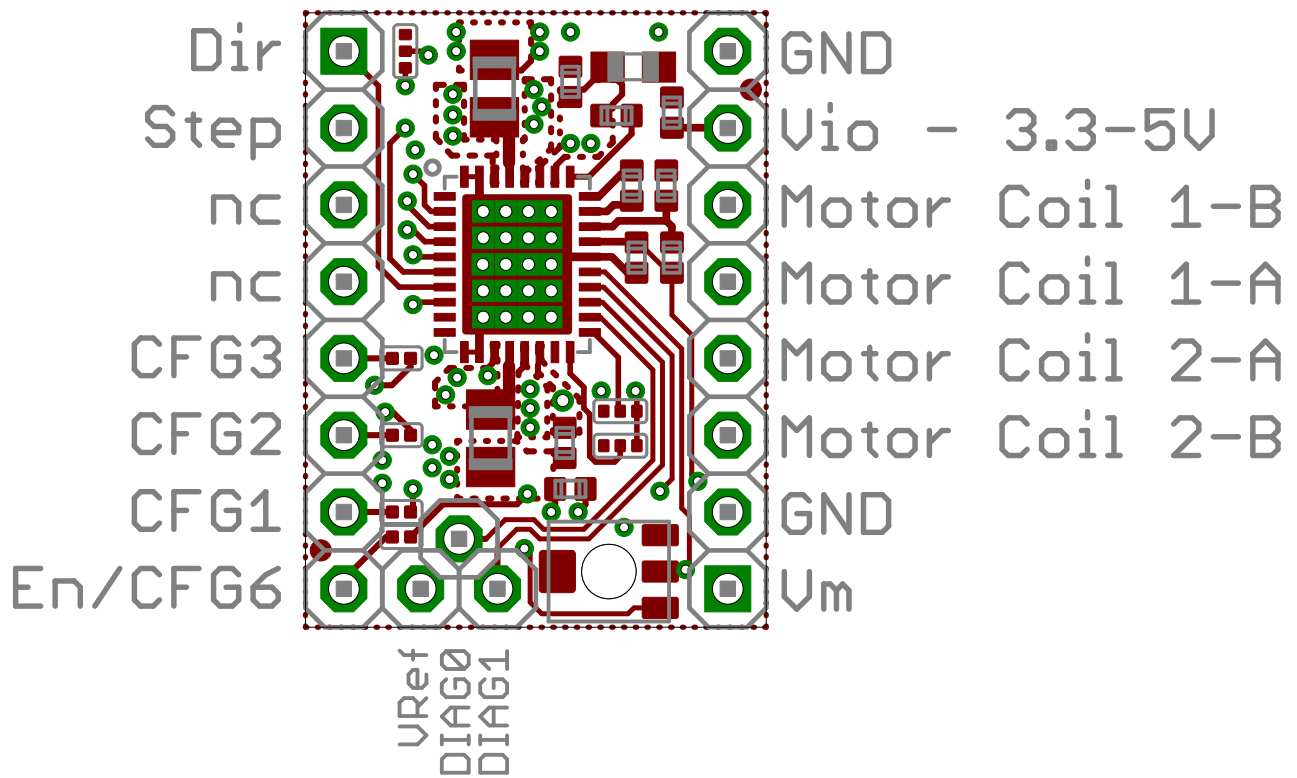


Released under the Creative Commons Attribution Share-Alike License. <http://creativecommons.org/licenses/by-sa/4.0/>
 Designed by Stephan Watterott (Watterott electronic)
 Based on the Trinamic TMC2100-BOB

www.watterott.com
 SilentStepStick-v13
 02.12.2017 17:11:43
 Sheet: 1/1

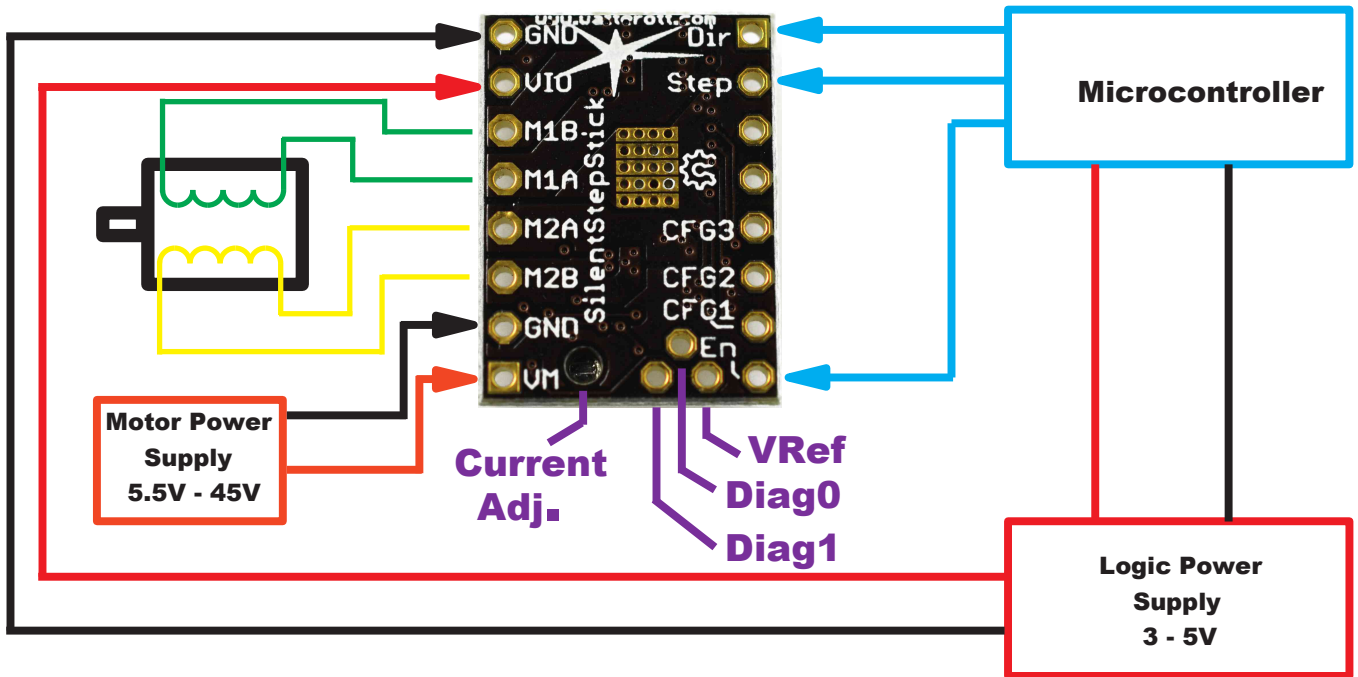


Component Side View (Bottom)



SilentStepStick

Pinout



Jumper Settings

<u>Jumper</u>	<u>Default</u>
CFG0	GND
CFG1	Closed
CFG2	Closed
CFG3	Open
CFG4	GND
CFG5	VCC
CFG6	Closed

Pin Header

Pin configuration for steahlChop mode with 16 microsteps and interpolation to 256 microsteps.

