

Industrial Ethernet IE-C6FP8LD0020M40M40-D

Weidmüller Interface GmbH & Co. KG
Klingenbergstraße 26
D-32758 Detmold
Germany
Fon: +49 5231 14-0
Fax: +49 5231 14-292083
www.weidmueller.com



Assembled IE cables, patch cable Cabinet Line, Cat. 6,
LSZH, grey

General ordering data

Type	IE-C6FP8LD0020M40M40-D
Order No.	1165940020
Version	Patch cable, RJ45 IP 20, RJ45 IP 20, Cat.6 _A / Class E _A (ISO/IEC 11801 2010), LSZH, 2 m
GTIN (EAN)	4032248956111
Qty.	1 pc(s).

Creation date July 1, 2020 6:57:30 PM CEST

Catalogue status 26.06.2020 / We reserve the right to make technical changes.

Industrial Ethernet IE-C6FP8LD0020M40M40-D

Weidmüller Interface GmbH & Co. KG
Klingenbergstraße 26
D-32758 Detmold
Germany
Fon: +49 5231 14-0
Fax: +49 5231 14-292083
www.weidmueller.com

Technical data

Dimensions and weights

Length	2 m	Length (inches)	0.079 inch
Net weight	89 g	Insulation cross-section	1.04 mm

Temperatures

Operating temperature, max.	60 °C	Operating temperature, min.	-20 °C
Storage temperature, max.	60 °C	Storage temperature, min.	-20 °C
Operating temperature	-20 °C...60 °C	Storage temperature	-20 °C...60 °C
Installation temperature	0 °C...50 °C		

Environmental Product Compliance

REACH SVHC	Lead 7439-92-1
------------	----------------

Cable specific standards

Application-specific communication cable facilities	ANSI / TIA / EIA-568-B.2-10, ISO / IEC 11801:2002, EN50173-1:2007
---	---

Electrical properties

Current-carrying capacity at 50 °C	1 A	PoE / PoE+	conforming to IEEE 802.3at
------------------------------------	-----	------------	----------------------------

General standards

Certificate no. (cULus)	E316369	Connector standard	IEC 60603-7-51
-------------------------	---------	--------------------	----------------

Cable structure

Copper diameter	0.43 mm	Strands	7
Cross-section	4*2*AWG 27/7 - 4*2*0.1 mm ²	Insulation	PE
Insulation cross-section	1.04 mm	Number of wires	8
Arrangement of wire cores	Twisted pair	Colour sequence or wires - wire pairs	white - blue, white - orange, white - green, white - brown
Shielding	S/FTP	Complete shielding	Shielding braid made from copper wiring
Overlap of shielding braid	60 %	Material sheath	LSZH
Sheath diameter, min.	5.5 mm	Sheath diameter, max.	5.9 mm

Electrical properties of cable

Category	Cat.6 _A / Class E _A (ISO/IEC 11801 2010)	Operating voltage	50 V DC
Operating voltage (UL rating)	30 V AC / 42.4 V DC	Test voltage: wire-wire-shield	750 V DC, 1 min
Characteristic impedance	100 ± 15 Ω at 1-100 MHz	Deviation	25 ns/100m
Resistance differential	5 %	Capacity at 1 kHz	46 nF/km
Speed	10 GBit/s	Coupling resistance at 10 MHz	5 mΩ/m
Coupling attenuation up to 1000 MHz	80 dB	Separating class according to EN 50174-2	d

Creation date July 1, 2020 6:57:30 PM CEST

Data sheet

Industrial Ethernet IE-C6FP8LD0020M40M40-D

Weidmüller Interface GmbH & Co. KG
 Klingenbergstraße 26
 D-32758 Detmold
 Germany
 Fon: +49 5231 14-0
 Fax: +49 5231 14-292083
 www.weidmueller.com

Technical data

Mechanical and material properties of cable

Colour	grey	Min. bending radius, once only	25 mm
Min. bending radius, repetitive	50 mm	Speed	10 GBit/s
Resistance to spread of flame	in accordance with IEC 60332-1 / UL 1581 FT2	Halogen	halogen-free, according to IEC 60754-2

Plug, right

Contact surface	Au ≥ 0.8 µm
-----------------	-------------

plug

Connector left	RJ45 IP 20	Connector right	RJ45 IP 20
----------------	------------	-----------------	------------

Classifications

ETIM 6.0	EC002599	ETIM 7.0	EC002599
eClass 9.0	27-06-03-08	eClass 9.1	27-06-03-08
eClass 10.0	27-06-03-08		

Approvals

Approvals



ROHS	Conform
------	---------

Downloads

Approval/Certificate/Document of Conformity	ISO/IEC EN and TIA/EIA Screened Class EA Category 6A, 2 connector channel DUXR.E316369
Brochure/Catalogue	CAT 9 IETH 18/19 EN FL FIELDWIRING EN PI PROFINET CABLING EN
Engineering Data	EPLAN, WSCAD, Zuken E3.S
Engineering Data	STEP
Product Change Notification	PCN-PB47-20180213-00-A_EN PCN-PB47-20180213-00-A_DE
User Documentation	MAN IE GUIDE DE MAN IE GUIDE EN

Data sheet**Industrial Ethernet
IE-C6FP8LD0020M40M40-D**

Weidmüller Interface GmbH & Co. KG
Klingenbergstraße 26
D-32758 Detmold
Germany
Fon: +49 5231 14-0
Fax: +49 5231 14-292083
www.weidmueller.com

Drawings**Wiring**

RJ45	1	white (orange)	1	RJ45
	2	orange	2	
	3	white (green)	3	
	4	blue	4	
	5	white (blue)	5	
	6	green	6	
	7	white (brown)	7	
	8	brown	8	

Dimensioned drawing

Automation Products
UC20-WL2000-IOT**Weidmüller Interface GmbH & Co. KG**
Klingenbergstraße 26
D-32758 Detmold
Germany
Fon: +49 5231 14-0
Fax: +49 5231 14-292083
www.weidmueller.com**Product image**

For modern IoT applications, automation technology needs to be increasingly more powerful and adaptable. u-mation offers a coordinated hardware portfolio designed for the future-proof preparation of your machines and systems. u-control 2000 is one of the most compact and state-of-the-art control systems on the market and is the centrepiece of our hardware portfolio. u-control 2000 forms the basis required for use of our engineering solutions u-create web, studio and IoT. The controllers modular design is based on the remote I/O system u-remote, and allows for needs-based expansion to include other components from the u-mation family.

General ordering data

Type	UC20-WL2000-IOT
Order No.	1334990000
Version	Controller, IP20, u-control 2000 web, IoT Controller, Web-based, incl. Engineering Tool u- create IoT (node red)
GTIN (EAN)	4050118138290
Qty.	1 pc(s).

Creation date July 1, 2020 6:44:26 PM CEST

Catalogue status 26.06.2020 / We reserve the right to make technical changes.

Data sheet

Automation Products UC20-WL2000-IOT

Weidmüller Interface GmbH & Co. KG
 Klingenbergstraße 26
 D-32758 Detmold
 Germany
 Fon: +49 5231 14-0
 Fax: +49 5231 14-292083
 www.weidmueller.com

Technical data

Dimensions and weights

Width	52	Width (inches)	2.047 inch
Height	120 mm	Height (inches)	4.724 inch
Depth	76 mm	Depth (inches)	2.992 inch
Mounting dimension - height	128 mm	Net weight	232 g

Temperatures

Operating temperature, max.	55 °C	Operating temperature, min.	-20 °C
-----------------------------	-------	-----------------------------	--------

Connection data

Type of connection	PUSH IN
--------------------	---------

General data

UL 94 flammability rating	V-0
---------------------------	-----

Power supply

Current consumption from I _{IN} (power segment of the field bus coupler), typ.	116 mA	Feed current for I _{IN} (input current path), max.	5 A
Feed current for I _{OUT} (output current path), max.	5 A	Feed current for the system, max.	4,000 mA
Supply voltage for outputs	24 V DC +20 %/ -15 %	Supply voltage system and inputs	24 V DC +20 %/ -15 %

System data

Configuration interface	Micro USB 2.0	Connection type	2 x RJ45 plug-in connectors
Interface	2x Ethernet TCP/IP, 1x Micro USB	Memory (Flash)	4 GB, 32 GB via microSD
Module type	Controller	Processor	Dual Core ARM Cortex A9, 624 MHz, 512 Mbyte RAM
Real-time clock	Battery buffered	Transmission speed backplane bus, max.	48 Mbit
max. number of modules	64		

Classifications

ETIM 6.0	EC001603	ETIM 7.0	EC001603
eClass 9.1	27-24-26-08	eClass 10.0	27-24-26-07

Approvals

Approvals



ROHS	Conform
------	---------

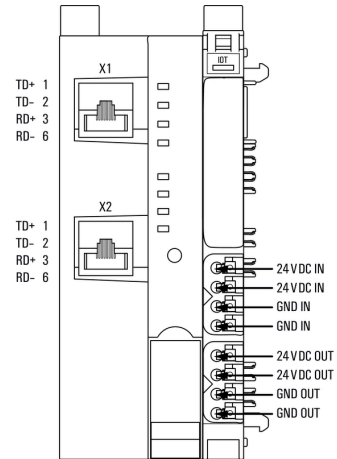
Automation Products
UC20-WL2000-IOT**Weidmüller Interface GmbH & Co. KG**
Klingenbergstraße 26
D-32758 Detmold
Germany
Fon: +49 5231 14-0
Fax: +49 5231 14-292083
www.weidmueller.com**Technical data****Downloads**

Product Change Notification	Release-Notes - IoT
Software	Current Firmware file for UC20 IoT Archiv Firmware files UC20-WL2000-IOT
User Documentation	MANU UC20 XL2000 DE MANU UC20 XL2000 EN UC20-WL2000-IOT Supported modules list

**Automation Products
UC20-WL2000-IOT**

Weidmüller Interface GmbH & Co. KG
Klingenbergstraße 26
D-32758 Detmold
Germany
Fon: +49 5231 14-0
Fax: +49 5231 14-292083
www.weidmueller.com

Connection diagram



Industrial Ethernet IE-USB-A-MICRO-1.8M

Weidmüller Interface GmbH & Co. KG
Klingenbergstraße 26
D-32758 Detmold
Germany
Fon: +49 5231 14-0
Fax: +49 5231 14-292083
www.weidmueller.com



Assembled IE cables

General ordering data

Type	IE-USB-A-MICRO-1.8M
Order No.	1487980000
Version	USB cable, USB A, USB Micro, PVC, 1.8 m
GTIN (EAN)	4050118298451
Qty.	1 pc(s).

Creation date July 1, 2020 6:51:44 PM CEST

Catalogue status 26.06.2020 / We reserve the right to make technical changes.

**Industrial Ethernet
IE-USB-A-MICRO-1.8M**

Weidmüller Interface GmbH & Co. KG
 Klingenbergstraße 26
 D-32758 Detmold
 Germany
 Fon: +49 5231 14-0
 Fax: +49 5231 14-292083
 www.weidmueller.com

Technical data
Dimensions and weights

Length	1.8 m	Length (inches)	0.071 inch
Net weight	56 g		

Temperatures

Operating temperature, max.	80 °C	Operating temperature, min.	-15 °C
Operating temperature	-15 °C...80 °C		

Environmental Product Compliance

REACH SVHC	Lead 7439-92-1
------------	----------------

Cable structure

Cross-section	2*AWG28 + 2*AWG28	Overlap of shielding braid	65 %
Material sheath	PVC	Sheath diameter, min.	3.8 mm
Sheath diameter, max.	4.2 mm	Sheathing colour	black

Mechanical and material properties of cable

Colour	black
--------	-------

Plug, left

Contact surface, plug, left	Gold over nickel
-----------------------------	------------------

Plug, right

Contact surface	Gold over nickel
-----------------	------------------

plug

Connector left	USB A	Connector right	USB Micro
----------------	-------	-----------------	-----------

Classifications

ETIM 6.0	EC000830	ETIM 7.0	EC003249
eClass 9.0	27-06-20-11	eClass 9.1	27-06-90-90
eClass 10.0	27-06-01-06		

Approvals

Approvals



ROHS	Conform
------	---------

Downloads

Brochure/Catalogue	CAT 9 IETH 18/19 EN FL FIELDWIRING EN PI PROFINET CABLING EN
User Documentation	MAN IE GUIDE DE MAN IE GUIDE EN

Creation date July 1, 2020 6:51:44 PM CEST

Automation Products - u-remote IP20 UR20-8DIO-P-3W-DIAG

Weidmüller Interface GmbH & Co. KG
Klingenbergstraße 26
D-32758 Detmold
Germany
Fon: +49 5231 14-0
Fax: +49 5231 14-292083
www.weidmueller.com

Product image



More performance. Simplified. u-remote.

Weidmüller u-remote – our innovative remote I/O concept with IP 20 which focuses purely on user benefits: tailored planning, faster installation, safer start-up, no more downtime. For considerably improved performance and greater productivity.

Reduce the size of your cabinets with u-remote, thanks to the narrowest modular design on the market and the need for fewer power-feed modules. Our u-remote technology also offers tool-free assembly, while the modular "sandwich" design and integrated web server speed up installation, both in the cabinet and machine. Status LEDs on the channel and each u-remote module enable reliable diagnosis and rapid service.

This and many other amazing ideas boost the availability of your machines and systems. And ensure smooth processes too. From planning to operation.

u-remote stands for "More Performance". Simplified

General ordering data

Type	UR20-8DIO-P-3W-DIAG
Order No.	2456530000
Version	Remote I/O module, IP20, Digital signals, Input, Output, 8-channel
GTIN (EAN)	4050118471694
Qty.	1 pc(s).

Automation Products - u-remote IP20 UR20-8DIO-P-3W-DIAG

Weidmüller Interface GmbH & Co. KG
Klingenbergstraße 26
D-32758 Detmold
Germany
Fon: +49 5231 14-0
Fax: +49 5231 14-292083
www.weidmueller.com

Technical data

Dimensions and weights

Width	11.5	Width (inches)	0.453 inch
Height	120 mm	Height (inches)	4.724 inch
Depth	76 mm	Depth (inches)	2.992 inch
Mounting dimension - height	128 mm	Net weight	83 g

Temperatures

Operating temperature, max.	60 °C	Operating temperature, min.	-20 °C
Storage temperature, max.	85 °C	Storage temperature, min.	-40 °C
Operating temperature	-20 °C ... +60 °C	Storage temperature	-40 °C ... +85 °C

Environmental Product Compliance

REACH SVHC Lead 7439-92-1

digital inputs

Input filter	Input delay adjustable from 0 to 40 ms	Input voltage, high	> + 11 V referred to 0 V of the output power supply U_{OUT}
Input voltage, low	< + 5 V referred to 0 V of the output power supply U_{OUT}	Module diagnosis	Yes
Number of digital inputs	8	Reverse polarity protection	No, Input voltage below -10 V can destroy the module
Sensor connection	2-wire, 3-wire	Sensor supply	≥ 0.3 A per connector, limited electronically
Type	PNP switched		

digital outputs

Actuator connection	2-wire, 3-wire	Feedback-free	Yes
Inductive load (DC13)	0.2 Hz	Lamp load (12 W)	10 Hz
Module diagnosis	Yes	Number of digital outputs	8
Output current per channel, max.	0.5 A	Output current per module, max.	4 A
Resistive load (min. 47 Ω)	1 kHz	Response time of the protective circuit (current limiting)	< 100 μs
Short-circuit-proof	Yes	Switch-off energy (inductive)	< 150 mJ / channel
Type	PNP switched		

Connection data

Type of connection	PUSH IN	Wire connection cross section, finely stranded, max.	1.5 mm ²
Wire connection cross-section, finely stranded, min.	0.14 mm ²	Wire cross-section, finely stranded, max. (AWG)	AWG 16
Wire cross-section, finely stranded, min. (AWG)	AWG 26	Wire cross-section, solid, max.	1.5 mm ²
Wire cross-section, solid, max. (AWG)	AWG 16	Wire cross-section, solid, min.	0.14 mm ²
Wire cross-section, solid, min. (AWG)	AWG 26		

**Automation Products - u-remote IP20
UR20-8DIO-P-3W-DIAG**

Weidmüller Interface GmbH & Co. KG
Klingenbergstraße 26
D-32758 Detmold
Germany
Fon: +49 5231 14-0
Fax: +49 5231 14-292083
www.weidmueller.com

Technical data**General data**

Air humidity (operation)	10% to 95%, non-condensing as per DIN EN 61131-2	Air humidity (storage)	10% to 95%, non-condensing as per DIN EN 61131-2
Air humidity (transport)	10% to 95%, non-condensing as per DIN EN 61131-2	Air pressure (operation)	≥ 795 hPa (height ≤ 2000 m) as per DIN EN 61131-2
Air pressure (storage)	1013 hPa (height 0 m) to 700 hPa (height 3000 m) as per DIN EN 61131-2	Air pressure (transport)	1013 hPa (height 0 m) to 700 hPa (height 3000 m) as per DIN EN 61131-2
Pollution severity	2	Shock	15 g over 11 ms, half sinus wave, acc. to IEC 60068-2-27
Surge voltage category	II	Test voltage	500 V
UL 94 flammability rating	V-0	Vibration resistance	5 Hz ≤ f ≤ 8.4 Hz: 3.5-mm amplitude as per IEC 60068-2-6, 8.4 Hz ≤ f ≤ 150 Hz: 1 g acceleration as per IEC 60068-2-6

Power supply

Current consumption from I _{IN} (power segment of the field bus coupler), typ.	8 mA	Current consumption from I _{IN} (the respective power segment)	8 mA
Current consumption from I _{OUT} (the respective power segment)	32 mA + I-Last	Reverse polarity protection	No, Input voltage below -10 V can destroy the module
Voltage supply	24 V DC +20 %/ -15 %, via the system bus		

System data

Field bus protocol	CANopen, DeviceNet, EtherCAT, EtherNet/IP, Modbus/TCP, PROFINET IRT, PROFIBUS DP-V1, POWERLINK	Galvanic isolation	500 V DC between the current paths
Interface	u-remote system bus	Possible connection	2-wire, 3-wire
Transmission speed of system bus, max.	48 Mbit		

Classifications

ETIM 6.0	EC001597	ETIM 7.0	EC001597
eClass 9.0	27-24-26-02	eClass 9.1	27-24-26-02
eClass 10.0	27-24-26-02		

Approvals

Approvals



Data sheet**Automation Products - u-remote IP20
UR20-8DIO-P-3W-DIAG**

Weidmüller Interface GmbH & Co. KG
Klingenbergstraße 26
D-32758 Detmold
Germany
Fon: +49 5231 14-0
Fax: +49 5231 14-292083
www.weidmueller.com

Technical data**Downloads**

Engineering Data	STEP
User Documentation	MAN_U-REMOTE_DE MAN_U-REMOTE_EN
