

D-SERIES DRI DRIKIT 48VDC 2CO LD/PB

Weidmüller Interface GmbH & Co. KG
 Klingenbergstraße 26
 D-32758 Detmold
 Germany
 Fon: +49 5231 14-0
 Fax: +49 5231 14-292083
 www.weidmueller.com

Product image



Similar to illustration

Our relay kits are particularly convenient to use. The kits are delivered fully assembled and 100 % function-tested. This saves assembly time and reduces the number of parts required.

- Assembled kit consisting of relay, base and retaining clip, incl. label
- 100% function-tested
- 100% control of the dielectric strength input - output
- Optional: test button with coloured control voltage marking (AC coil: red / DC coil: blue) and mechanical switch position indicator
- Bright status LED (AC coil: red / DC coil: green)

General ordering data

| | |
|----------------|---|
| Type | DRIKIT 48VDC 2CO LD/PB |
| Order No. | 2476900000 |
| Version | D-SERIES DRI, Relay module, Number of contacts: 2, CO contact with test button AgSnO, Rated control voltage: 48 V DC, Continuous current: 5 A, Screw connection |
| GTIN (EAN) | 4050118497120 |
| Qty. | 10 pc(s). |
| Relevant base | 7760056351 |
| Relevant relay | 7760056341 |

Creation date 24 August 2020 10:44:58 CEST

D-SERIES DRI
DRIKIT 48VDC 2CO LD/PB

Weidmüller Interface GmbH & Co. KG
 Klingenbergstraße 26
 D-32758 Detmold
 Germany
 Fon: +49 5231 14-0
 Fax: +49 5231 14-292083
 www.weidmueller.com

Technical data
Dimensions and weights

| | | | |
|------------|---------|-----------------|------------|
| Width | 15.8 mm | Width (inches) | 0.622 inch |
| Height | 80.2 mm | Height (inches) | 3.157 inch |
| Depth | 68 mm | Depth (inches) | 2.677 inch |
| Net weight | 64 g | | |

Temperatures

| | | | |
|-----------------------------|--|-----------------------------|----------------|
| Humidity | 35...85 % rel. humidity, no condensation | Operating temperature, max. | 55 °C |
| Operating temperature, min. | -40 °C | Storage temperature, max. | 85 °C |
| Storage temperature, min. | -40 °C | Operating temperature | -40 °C...55 °C |
| Storage temperature | -40 °C...85 °C | | |

Environmental Product Compliance

| | |
|------------|----------------|
| REACH SVHC | Lead 7439-92-1 |
|------------|----------------|

Input

| | | | |
|-----------------------|---------------------|--------------------------------|-----------------|
| Rated control voltage | 48 V DC | Rated current DC | 11,2 mA |
| Power rating | 530 mW | Pull-in/drop-out voltage, typ. | 36 V / 7.2 V DC |
| Coil resistance | 4300 Ω ± 10 % | Status indicator | Green LED |
| Protective circuit | Free-wheeling diode | | |

Output

| | | | |
|---|----------------------------|---|--------------|
| Rated switching voltage | 250 V AC | Max. switching voltage, AC | 250 V |
| Max. switching voltage, DC | 250 V | Continuous current | 5 A |
| AC switching capacity (resistive), max. | 1250 VA | DC switching capacity (resistive), max. | 150 W @ 24 V |
| Switch-on delay | ≤ 15 ms | Switch-off delay | ≤ 10 ms |
| Min. switching power | 10 mA @ 12 V, 100 mA @ 5 V | Max. switching frequency at rated load | 0.1 Hz |

Contact data

| | | | |
|--------------|---------------------------------------|-------------------------|---------------------------------------|
| Contact type | 2 CO contact with test button (AgSnO) | Mechanical service life | 10 x 10 ⁶ switching cycles |
|--------------|---------------------------------------|-------------------------|---------------------------------------|

General data

| | | | |
|--------------------------------------|-------|-------------|----------------|
| Rail | TS 35 | Test button | yes (lockable) |
| Mechanical switch position indicator | Yes | Colour | black |

Insulation coordination

| | | | |
|--|-----------------------------|--|--------------------------------|
| Rated voltage | 250 V | Surge voltage category | III |
| Pollution severity | 2 | Insulating material group | IIIb |
| Protection degree | IP20 | Dielectric strength, Input/Output | 4 kV _{eff} / 1 min |
| Creepage and clearance distance input – output | ≥ 3 mm | Dielectric strength of neighbouring contacts | 1.5 kV _{eff} / 1 min. |
| Dielectric strength of open contact | 1 kV _{eff} / 1 min | Impulse withstand voltage | 4.8 kV (1.2/50 μs) |

**D-SERIES DRI
DRIKIT 48VDC 2CO LD/PB**

Weidmüller Interface GmbH & Co. KG
 Klingenbergstraße 26
 D-32758 Detmold
 Germany
 Fon: +49 5231 14-0
 Fax: +49 5231 14-292083
 www.weidmueller.com

Technical data**Further details of approvals / standards**

| | | | |
|------------------------------|--|-------------------------------|---------|
| Standards | IEC 61810-1, EN 60664-1:2007, EN 61000-6-2:2005, EN 61000-6-4:2007 + A1:2011 | Certificate no. (cURus) relay | E312083 |
| Certificate no. (cURus) base | E355547 | | |

Connection data

| | | | |
|---|---------------------|---|----------------------|
| Wire connection method | Screw connection | Stripping length, rated connection | 8 mm |
| Tightening torque, min. | 0.5 Nm | Tightening torque, max. | 0.8 Nm |
| Clamping range, rated connection | 1.5 mm ² | Clamping range, min. | 0.25 mm ² |
| Clamping range, max. | 4 mm ² | Wire cross-section, solid, min. | 0.25 mm ² |
| Wire cross-section, solid, max. | 4 mm ² | Wire connection cross-section, finely stranded, min. | 0.25 mm ² |
| Wire connection cross section, finely stranded, max. | 4 mm ² | Wire connection cross-section, finely stranded with wire-end ferrules DIN 46228/4, min. | 0.25 mm ² |
| Wire connection cross-section, finely stranded with wire-end ferrules DIN 46228/4, max. | 4 mm ² | Conductor cross-section, flexible, AEH (DIN 46228-1), min. | 0.25 mm ² |
| Conductor cross-section, flexible, AEH (DIN 46228-1), max. | 4 mm ² | Blade size | size PH1 |
| Gauge to IEC 60947-1 | A3 | | |

Classifications

| | | | |
|-------------|-------------|------------|-------------|
| ETIM 6.0 | EC001437 | ETIM 7.0 | EC001437 |
| eClass 9.0 | 27-37-16-01 | eClass 9.1 | 27-37-16-01 |
| eClass 10.0 | 27-37-16-01 | | |

Approvals

Approvals



ROHS Conform

Downloads

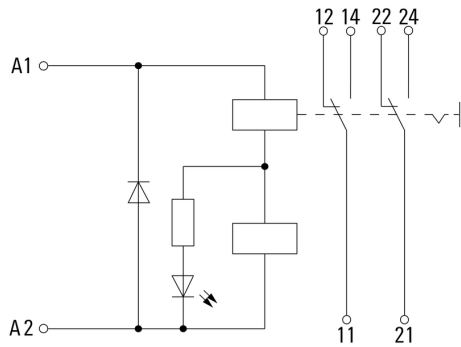
| | |
|---|---|
| Approval/Certificate/Document of Conformity | EU Konformitätserklärung / EU Declaration of Conformity |
| Engineering Data | EPLAN, WSCAD, Zuken E3.S |
| Engineering Data | STEP |

**D-SERIES DRI
DRIKIT 48VDC 2CO LD/PB**

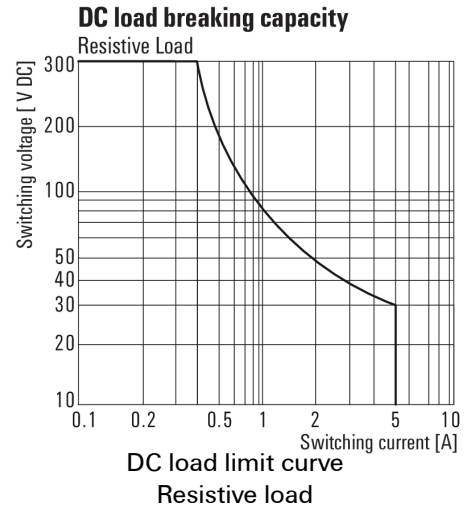
Weidmüller Interface GmbH & Co. KG
 Klingenbergstraße 26
 D-32758 Detmold
 Germany
 Fon: +49 5231 14-0
 Fax: +49 5231 14-292083
 www.weidmueller.com

Drawings

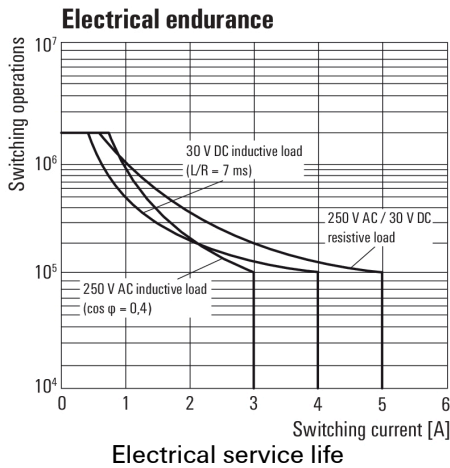
Wiring diagram



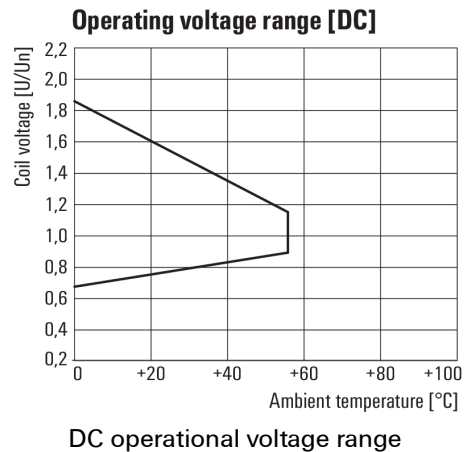
Graph



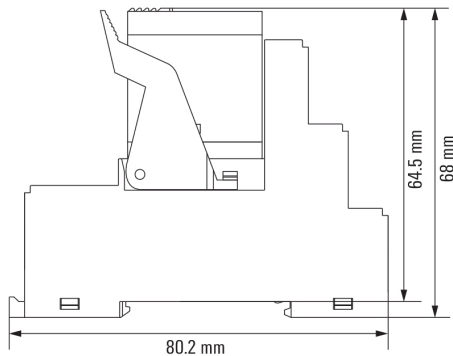
Graph



Graph



Dimensional drawing

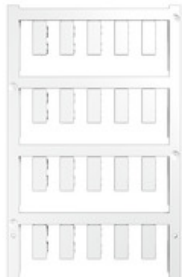


D-SERIES DRI DRIKIT 48VDC 2CO LD/PB

Weidmüller Interface GmbH & Co. KG
Klingenbergstraße 26
D-32758 Detmold
Germany
Fon: +49 5231 14-0
Fax: +49 5231 14-292083
www.weidmueller.com

Accessories

MultiCard



The Weidmüller device markers enable users to conform to obligatory equipment labelling regulations. Users can label the device markers themselves by means of suitable software and system-compatible printer systems. ESG is the tried-and-tested marker in MultiCard format. The result is high-quality device marking with a high-contrast appearance.

ESG 6/15 SDI MC... for marking D-SERIES DRI relay sockets:

- Attachable MultiCard markers
- Depending on the relay socket it is attachable on up to 4 levels
- Additional option for attaching the marker on plastic retaining clip: SDI CLIP P
- PrintJet printable

General ordering data

| | | |
|------------|----------------------------|---|
| Type | ESG 6/15 SDI MC NE WS | Version |
| Order No. | 2558340000 | ESG, Device markers x 15 mm, PA 66, Colour: white |
| GTIN (EAN) | 4050118569056 | |
| Qty. | 200 pc(s). | |

| | | |
|------------|----------------------------|---|
| Type | ESG 6/15 SDI MC SDR | Version |
| Order No. | 2558310000 | ESG, Device markers x 15 mm, PA 66, Colour: To customer specification |
| GTIN (EAN) | 4050118569025 | |
| Qty. | 40 pc(s). | |

Crosshead screwdriver, Phillips



VDE insulated screwdriver sets, for working on live parts up to 1000 V AC and 1500 V DC, DIN EN 60900. IEC 900. Each piece is "GS" safety tested. Blade made from fully hardened, high-alloy chromium-vanadium-molybdenum steel, gun-metal finish.

General ordering data

| | | |
|------------|----------------------------|------------------------------------|
| Type | SDIK PH1 SL | Version |
| Order No. | 1274710000 | Mounting tool, Blade length: 80 mm |
| GTIN (EAN) | 4050118073249 | |
| Qty. | 1 pc(s). | |

**D-SERIES DRI
DRIKIT 48VDC 2CO LD/PB**

Weidmüller Interface GmbH & Co. KG
 Klingenbergstraße 26
 D-32758 Detmold
 Germany
 Fon: +49 5231 14-0
 Fax: +49 5231 14-292083
 www.weidmueller.com

Accessories

Retaining clip



Accessories for D-SERIES relays include:

- Relay bases
- LED / Protective modules
- Metal retaining clips

General ordering data

| Type | SDI CLIP P | Version |
|------------|----------------------------|------------------------------|
| Order No. | 7760056389 | D-SERIES DRI, Retaining clip |
| GTIN (EAN) | 6944169787539 | |
| Qty. | 10 pc(s). | |

| Type | SDI CLIP HM | Version |
|------------|----------------------------|------------------------------|
| Order No. | 7760056390 | D-SERIES DRI, Retaining clip |
| GTIN (EAN) | 6944169787898 | |
| Qty. | 10 pc(s). | |

Crosshead screwdriver Phillips

VDE insulated crosshead screwdriver, for Phillips screws, SDIK PH DIN 7438, ISO 8764/2-PH, output to ISO 8764-PH, SoftFinish grip



General ordering data

| Type | SDIK PH1 | Version |
|------------|----------------------------|----------------------------------|
| Order No. | 9008570000 | Screwdriver, Blade length: 80 mm |
| GTIN (EAN) | 4032248056569 | |
| Qty. | 1 pc(s). | |

**D-SERIES DRI
DRIKIT 48VDC 2CO LD/PB**

Weidmüller Interface GmbH & Co. KG
 Klingenbergstraße 26
 D-32758 Detmold
 Germany
 Fon: +49 5231 14-0
 Fax: +49 5231 14-292083
 www.weidmueller.com

Accessories
Cross-connection for socket with screw connection


In an industrial environment, service work needs to be carried out quickly, simply and reliably. If components are replaced, bended relay contacts often cause errors which are difficult to locate.

As the handling of components in practice plays an increasingly important role, DRI relays have particularly stable plug contacts for quick and safe mounting. The test button with latching in end position can be operated tool-free. An easily visible, LED illuminated status display also allows clear determination of status.

Both during installation of the cabinet and during subsequent servicing in the machinery and plant engineering sector, DRI relays are the optimum coupling element for confined installation conditions.

General ordering data

| Type | SRC-I QV S | Version |
|------------|----------------------------|----------------------------------|
| Order No. | 1132070000 | RIDERSERIES RCI, Cross-connector |
| GTIN (EAN) | 4032248912087 | |
| Qty. | 10 pc(s). | |

Protection modules


Accessories for D-SERIES relays include:

- Relay bases
- LED / Protective modules
- Metal retaining clips

General ordering data

| Type | RIM 1 6/230VDC | Version |
|------------|----------------------------|--|
| Order No. | 7760056169 | D-SERIES, Free-wheeling diode, Rated control voltage: 6...230 V, Plug- |
| GTIN (EAN) | 4032248967728 | in connection |
| Qty. | 10 pc(s). | |

**D-SERIES DRI
DRIKIT 48VDC 2CO LD/PB**

Weidmüller Interface GmbH & Co. KG
 Klingenbergstraße 26
 D-32758 Detmold
 Germany
 Fon: +49 5231 14-0
 Fax: +49 5231 14-292083
 www.weidmueller.com

Accessories

LED



Accessories for D-SERIES relays include:

- Relay bases
- LED / Protective modules
- Metal retaining clips

General ordering data

| | | |
|------------|----------------------------|---|
| Type | RIM 3 24/60VUC | Version |
| Order No. | 7760056018 | D-SERIES, LED module, Rated control voltage: 24...60 V UC, Plug-in connection |
| GTIN (EAN) | 4032248878130 | |
| Qty. | 10 pc(s). | |

LED / free-wheel diode



Accessories for D-SERIES relays include:

- Relay bases
- LED / Protective modules
- Metal retaining clips

General ordering data

| | | |
|------------|----------------------------|--|
| Type | RIM 2 24/60VDC | Version |
| Order No. | 7760056016 | D-SERIES, LED module with freewheel diode, Rated control voltage: 24...60 V DC, Plug-in connection |
| GTIN (EAN) | 4032248878123 | |
| Qty. | 10 pc(s). | |

**D-SERIES DRI
DRIKIT 48VDC 2CO LD/PB**

Weidmüller Interface GmbH & Co. KG
Klingenbergstraße 26
D-32758 Detmold
Germany
Fon: +49 5231 14-0
Fax: +49 5231 14-292083
www.weidmueller.com

Accessories

Crosshead screwdriver Phillips

Crosshead screwdriver, Phillips, SDK PH DIN 5262, ISO 8764/2-PH, output to ISO 8764-PH, ChromTop tip, SoftFinish grip



General ordering data

| | | |
|------------|----------------------------|---|
| Type | SDK PH1 | Version |
| Order No. | 9008480000 | Screwdriver, Blade width (B): 4.5 mm, Blade length: 80 mm |
| GTIN (EAN) | 4032248056477 | |
| Qty. | 1 pc(s). | |

ESG 6/15



Guaranteed long service life: ESG

The multi-colour and multi-format labels have a strong adhesive layer to ensure the best possible adhesion to the underlying surface. Double laminated polyester makes the basic material very thin and yet extremely tear-resistant.

Your benefits with MultiMark

- Double laminated polyester
- Can be used with equipment from many manufacturers
- Device markers with a familiar design

General ordering data

| | | |
|------------|----------------------------|---------------------------------------|
| Type | ESG 6/15 MM WS | Version |
| Order No. | 2619940000 | ESG, Device markers, 6 x 15 mm, white |
| GTIN (EAN) | 4050118626148 | |
| Qty. | 3,000 pc(s). | |

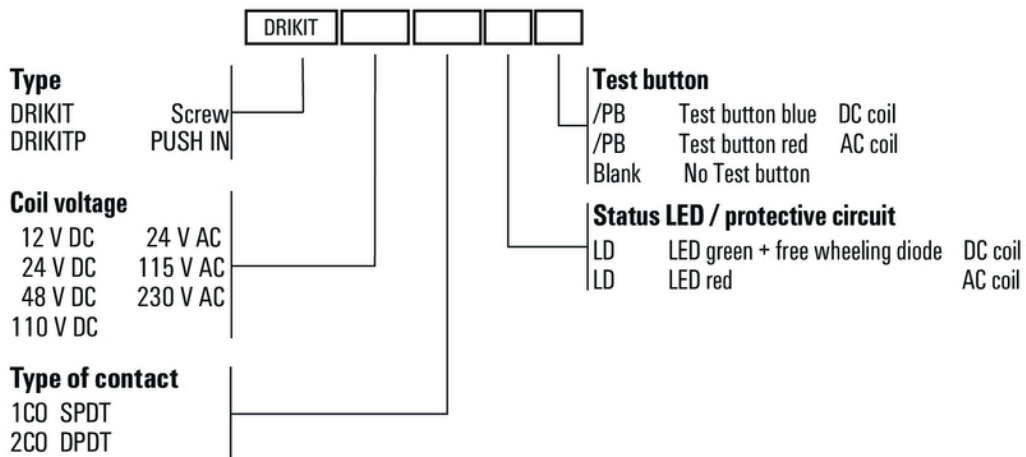
Data sheet

**D-SERIES DRI
DRIKIT 48VDC 2CO LD/PB**

Weidmüller Interface GmbH & Co. KG
 Klingenbergstraße 26
 D-32758 Detmold
 Germany
 Fon: +49 5231 14-0
 Fax: +49 5231 14-292083
 www.weidmueller.com

Drawings

Miscellaneous



Type codes