

PRO-ELEC



Heavy Duty Hand Dryer
Models: PEL00878 and PEL00879

IMPORTANT SAFETY INFORMATION

When using electrical appliances, basic safety precautions should always be followed to reduce the risk of fire, electric shock and injury to persons or property.

Read all instructions before using the appliance and retain for future reference.

- Check that the voltage indicated on the rating plate corresponds with that of the local network before connecting the appliance to the mains power supply.
- This appliance is designed for indoor use only.
- There are no user-serviceable parts in this product. Refer servicing to qualified personnel.
- Do not operate this appliance with a damaged cord, after a malfunction or after being dropped or damaged in any way.
- If the supply cord is damaged, it must be replaced by the manufacturer, its service agent or similarly qualified persons in order to avoid a hazard.
- This appliance can be used by children aged from 8 years and above and persons with reduced physical, sensory, or mental capabilities or lack of experience and knowledge if they have been given supervision or instruction concerning use of the appliance in a safe way and understand the hazards involved.
- Children shall not play with the appliance.
- Cleaning and maintenance shall not be made by children without supervision.
- **WARNING:** Do not use this appliance near bathtubs, showers, basins or other vessels containing water.
- Do not block the air inlet or outlet as this will cause the dryer to overheat.
- Do not place the dryer near to soft furnishings as this may cause damage to them, and could cause the dryer to overheat.
- This product must be earthed.

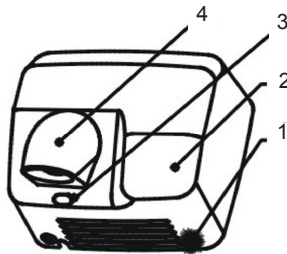
WHAT'S INCLUDED

- Hand dryer
- User manual
- Installation template
- Pack of 4 screws and 4 wall plugs
- Hexagon key

PRODUCT OVERVIEW

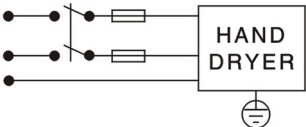
Main Features

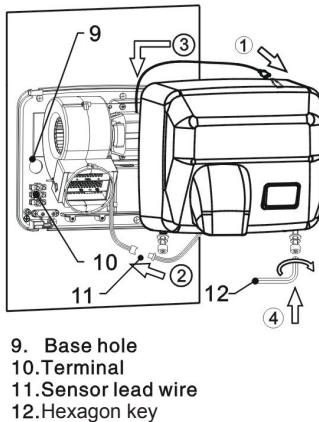
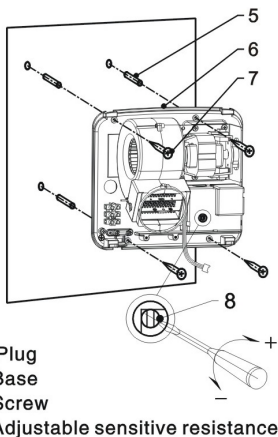
- The hand dryer uses microprocessor control and infra red sensor with protection against overheating.
- The nozzle swivels 360 degrees for drying hair, face and hands.



1. Screw
2. Cover
2. Sensor
4. Air Nozzle

INSTALLATION

- This product must be installed in accordance with the IET Wiring Regulations (BS7671) and the Building Regulations. If in any doubt, contact a qualified electrician.
 - The recommended installation height (measured from air outlet to the floor) 1.2m for men, 1.1m for women, and 0.9m for children.
 - The electrical connection must be made using a double pole isolating switch with a break contact distance of at least 3mm.
- 
- Remove the cover by removing the two socket hex screws on the bottom and after pulling the cover forward disconnect the connecting wire for the sensor and the ground lead.
 - Using the template, drill 4 off 8mm dia holes to a depth of 35mm having first ensured the surface is suitable to support the weight of the dryer.
 - Feed the supply wiring through the access hole and cable clamp and fix the dryer mechanism to the wall using the wall plugs and screws supplied.
 - Connect the mains supply wiring to the terminals at the lower left corner:
 - Red or brown wire to the terminal marked L
 - Black or blue wire to the terminal marked N
 - Green or green/yellow to the terminal marked E
 - Offer up the cover and reconnect the sensor wiring and ground lead then hook the top edge into place and lower the cover until it sits fully into place.
 - Refit the two socket hex screws underneath.

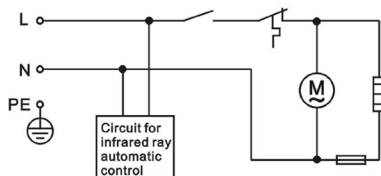


APPLICATION

- After finishing the installation, and switching on the power, and the hand dryer will switch on automatically when hands are placed underneath the air outlet.
- The hand dryer blows the hot air when hands are 11cm or closer to the air outlet, and it stops working 1 second after removing hands. It will also stop working automatically after 1 minute consecutive use. To restart the hand dryer, put hands back underneath and the dryer will switch on again.
- The sensitivity of the hand dryer is set at the highest value. If it operates for too long or does not work after installation, please adjust the sensor.

SPECIFICATIONS

Voltage	Power	Frequency	Water splash proof	Airflow
220-240V~	2500W	50/60Hz	IPX1	30m/s 270 ³ m/h



INFORMATION ON WASTE DISPOSAL FOR CONSUMERS OF ELECTRICAL & ELECTRONIC EQUIPMENT.

When this product has reached the end of its life it must be treated as Waste Electrical & Electronic Equipment (WEEE). Any WEEE marked products must not be mixed with general household waste, but kept separate for the treatment, recovery and recycling of the materials used. Contact your local authority for details of recycling schemes in your area.



Made in China. PR2 9PP

Man Rev 1.0