

PRO-ELEC



QUARTZ WALL MOUNT PATIO HEATER

Model: PEL01219

IMPORTANT SAFETY INFORMATION

Please read these instructions carefully before use and retain for future reference.

- Check if the voltage indicated on the rating plate of the appliance corresponds to the local mains voltage before you connect the appliance.
- Use this heater only as instructed in this manual. Any other use not recommended by the manufacturer may cause fire, electric shock, or injury to persons.
- This appliance is designed for use outdoors only. The mains plug must only be connected to an IP rated external socket or suitable extension lead connected to an internal mains supply connected to a 30mA differential circuit breaker.
- The mains supply must be grounded.
- A worn mains socket may result in over-heating of the plug and socket. If this occurs consult a qualified electrician.
- Arrange mains cord away from any traffic area and where it will not become a hazard to users and ensure that the supply cord is kept away from heat or sharp edges that could cause damage.
- The heater must not be located immediately below an electrical socket-outlet.
- Do not use this heater with a timer or any device that switches the power on automatically, as a fire risk exists should the heater be covered or placed incorrectly.
- In case of improper use, there is a risk of electrical shock and/or fire hazard.
- Do not try to repair the appliance by yourself. Please contact with the service agent or a suitably qualified electrician for maintenance.
- This appliance is not intended for use by persons (including children) with reduced physical, sensory or mental capabilities or lack of experience or knowledge. They should be given supervision and instruction in the use of the appliance by a person responsible for their safety.
- The casing and the front grille of the appliance can become extremely hot during operation. To avoid burns, do not let bare skin touch hot surfaces. Use handles when moving this heater.
- Extreme caution is necessary when used by or near children or vulnerable people.
- This heater is not intended for use near swimming pools, hot tubs and similar locations. Never locate the heater where it may fall into any water container.
- To prevent a possible fire or electric shock, do not block or allow foreign objects to enter any air intakes or ventilation slots in any manner.

WARNING: In order to avoid overheating, do not cover the heater.

- Do not mount the heater at an angle or vertically. It must be mounted horizontally with the pull cord at the bottom as shown on the front page of this manual.
- Do not operate any heater with a damaged cord or plug or after the heater malfunctions, has been dropped or damaged in any manner.
- Keep combustible materials such as furniture, pillows, bedding, papers, clothes and curtains at least 0.9m from the front of the heater.
- Please ensure that in adverse weather conditions no combustible material obstruct or come into contact with the appliance.
- Do not use in areas where gasoline, paint, or flammable liquids are used or stored.
- Remove the plug from the power outlet and wait until the appliance is completely cooled off before cleaning or putting into storage.
- To disconnect heater you should turn the controls off then remove plug from outlet.
- Always unplug heater when not in use.

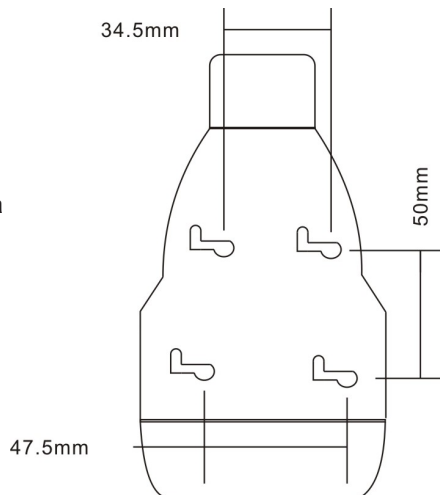
WHAT'S INCLUDED

- 1 heater unit
- 1 user manual
- Wall plugs 4 off
- Screws 4 off

INSTALLATION - WALL MOUNTING

- Remove all package material and check the appliance, supply cord and the plug for signs of damage.
- Pay attention to the mounting place and all mounting materials (dowels, screws).
- The installation of the appliance must not add excessive wind load.
- Ensure that the place to be installed is secure and firm and that the wall can support the weight of the heater and that there are no concealed pipes or wires in the location to be drilled.
- Before mounting, the following minimum safe mounting distances and tilt angles must be strictly followed.
- The distance between the bottom edge of the appliance and the floor must be at least 1.8m.
- There must be a distance of at least 0.4m between the appliance and the ceilings, roofs or other covers.
- There must be a distance of at least 0.5m at each side between the appliance and walls or other items.

- Refer to the rear mounting plate on the heater body for a guide to the position and spacing of the mounting holes.
- The plate can be removed and used as a template or refer to the diagram here.
- The heater uses a 'double keyhole' method where on engaging with the mounting screws, the heater is slid sideways and down to lock into place.
- Drill 4 off 8mm holes in the surface and insert the supplied wall plugs.
- Screw in the supplied 4 screws so that the heads protrude 5mm from the surface.
- Offer up the heater unit and engage with all 4 screws then slide sideways to the left and then down to fully locate.
- Adjust the angle of the heater. The recommended angle to a vertical mounting surface is approx 45°.
- Plug in the power source and operate the controls. Check that all functions work correctly and the installation is safe.



OPERATION

- The appliance is switched on by means of a pull cord switch.
- Pull the cord once: the heater will switch to low power setting (650W)
- Pull the cord twice: the heater will switch to mid power setting (1350W)
- Pull the cord three times: the heater will switch to high power setting (2000W)
- Pull the cord for a fourth time: the heater will switch off.
- The setting is indicated in a window in the lower section of the heater body.

CLEANING & MAINTENANCE

- This appliance consists of a robust and maintenance-free casing with a protective cover. No user serviceable parts are inside.
- Always unplug the heater from the mains supply and allow it to cool down fully before cleaning.
- Use a clean, damp cloth or a soft brush to clean the outside of the heater.
- Never use abrasive cleaners or chemicals for cleaning that may damage the heater.
- To protect against electrical shock and danger of life, do not immerse cord, plug or any part of the appliance in water or any other liquid.
- Improper repairs could lead to danger to the user.
- Do not allow any water to enter the appliance.
- To store the heater, place it in a clean, dry environment, ensuring it is protected from dust.

SPECIFICATIONS

Model	PEL01219
Rated Voltage	220-240VAC
Frequency	50/60Hz
Rated Power	2000W
IP Rating	IP34



INFORMATION ON WASTE DISPOSAL FOR CONSUMERS OF ELECTRICAL & ELECTRONIC EQUIPMENT

When this product has reached the end of its life it must be treated as Waste Electrical & Electronics Equipment (WEEE). Any WEEE marked products must not be mixed with general household waste, but kept separate for the treatment, recovery and recycling of the materials used. Contact your local authority for details of recycling schemes in your area.

Made in China. PR2 9PP

Man Ref 1.2

