

Coaxial Adapter, 78 Ohm BNC Twinax Jack / Jack Bulkhead



**LCAD30020**

**Configuration**

- BNC Twinax Jack Connector 1
- BNC Twinax Jack Connector 2
- Impedance 78 Ohm
- Straight Body Geometry
- Bulkhead Mount Method

**Features**

- Provides In-Series BNC to BNC Connections
- Operates to 500 MHz
- Gold Plated Center Contacts
- Bulkhead Mount

**Applications**

**Description**

These L-com RF Coaxial Adapters are used to interface between BNC Twinax to BNC Twinax with coaxial connections. The LCAD30020 is a straight bulkhead adapter with a jack to jack configuration. This Coaxial Adapter, 78 Ohm BNC Twinax Jack / Jack Bulkhead is made from brass and has a nickel finish. The Twin-Ax BNC has two contacts inside the connector housing. The coupling mechanism is a bayonet design, the same as a standard BNC. Twin-ax BNC connections are commonly used with Twin-ax cable used in differential pair applications where separate conductors are used to carry the signal of interest. BNC Twinax adapters are often required to adapt between connector genders. L-com's RF Coaxial and Triaxial adapters are in stock and ship same day.

**Electrical Specifications**

Description	Minimum	Typical	Maximum	Units
Frequency Range	DC		500	MHz

**Mechanical Specifications**

Size		Length	
		1.3in	33.02mm]
Description	Connector 1	Connector 2	
Type	BNC Twinax Jack	BNC Twinax Jack	
Polarity	Standard	Standard	

**Material Specifications**

Connector 1	Connector 2
-------------	-------------

Coaxial Adapter, 78 Ohm BNC Twinax Jack / Jack Bulkhead



**LCAD30020**

Description	Material	Plating	Material	Plating
Type	BNC Twinax Jack		BNC Twinax Jack	
Contact	Phosphor Bronze	Gold	Phosphor Bronze	Gold
Insulation	Delrin		Delrin	
Outer Conductor	Brass	Nickel	Brass	Nickel
Body	Brass	Nickel	Brass	Nickel
Gasket	Silicone			
Washer	Brass	Nickel		

**Environmental Specifications**

**Temperature**

Operating Range -65°C to +165°C

**Compliance Certifications** (see [product page](#) for current document)

**Plotted and Other Data**

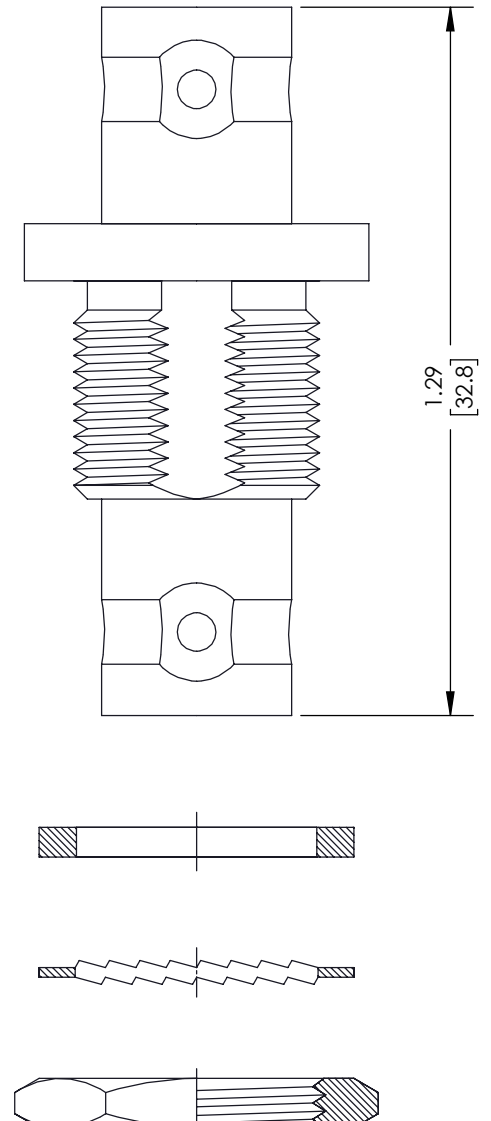
Coaxial Adapter, 78 Ohm BNC Twinax Jack / Jack Bulkhead from L-com has same day shipment for domestic and International orders. Our portfolio includes coaxial cable assemblies, connectors, adapters and custom products as well as lightning and surge protectors, NEMA rated enclosures, and an RF product line which includes antennas, amplifiers, passive, and active components. The information contained within this document is accurate to the best of our knowledge and representative of the part described herein. It may be necessary to make modifications to the part and/or the documentation of the part in order to implement improvements. L-com reserves the right to make such changes as required. Unless otherwise stated, all specifications are nominal. L-com does not make any representation or warranty regarding the suitability of the part described herein for any particular purpose, and L-com does not assume liability arising out of the use of any part or document. The information contained within this document is accurate to the best of our knowledge and representative of the part described herein. It may be necessary to make modifications to the part and/or the documentation of the part in order to implement improvements. L-com reserves the right to make such changes as required. Unless otherwise stated, all specifications are nominal. L-com does not make any representation or warranty regarding the suitability of the part described herein for any particular purpose, and L-com does not assume liability arising out of the use of any part or document.

# Coaxial Adapter, 78 Ohm BNC Twinax Jack / Jack Bulkhead

## L-com CAD Drawing

REVISIONS		
REV.	DESCRIPTION	DATE
A	INITIAL RELEASE	01/14/2020
		APPROVED SELLIS



UNLESS OTHERWISE SPECIFIED LEADING DIMENSIONS ARE INCHES DIMENSIONS IN [ ] ARE MILLIMETERS

**TOLERANCES:**


X = ±.2 [5.08]	FRACTIONS ± 1/32	ANGLES ± 1°
XX = ±.02 [.51]		
XXX = ±.005 [.13]		

**CABLE LENGTH (L) TOLERANCES:**

L ≤ 12 [305]	±.1 [25]
12 [305] < L ≤ 60 [1524]	±.2 [51]
60 [1524] < L ≤ 120 [3048]	±.4 [102]
120 [3048] < L ≤ 300 [7620]	±.6 [152]
300 [7620] < L	±.5% [L]

ALL DIMENSIONS SHOWN ARE FOR REFERENCE ONLY.

**THIRD-ANGLE PROJECTION**



THE INFORMATION AND DESIGN IN THIS DOCUMENT IS THE PROPERTY OF L-COM GLOBAL CONNECTIVITY. ALL RIGHTS RESERVED.

SHEET 1 OF 1

SCALE N/A

**L-com**  
an INFINITE brand

50 High Street, West Mill, 3rd Floor, Suite #30  
North Andover, MA 01845 USA.  
Phone: 1.800.341.5266 | 1.978.682.6936  
Fax: 1.978.689.9484  
Website: www.L-com.com  
E-mail: CustomerService@L-com.com

CASE CODE 43321

DRAWN BY BPUCHASKI

PART NUMBER LCAD30020

REV A

THESE COMMODITIES, TECHNOLOGY OR SOFTWARE WERE EXPORTED FROM THE UNITED STATES IN ACCORDANCE WITH THE EXPORT ADMINISTRATION REGULATIONS. DIVERSION CONTRARY TO U.S. LAW PROHIBITED.