

MCX600U & MCX600M Maxi E.M.Lock



Description

Standard single magnetic lock. Surface mounted with or without monitoring as required

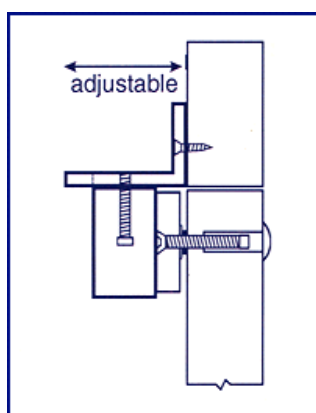
Application

High security applications for internal or external doors. To be mounted inside external doors.

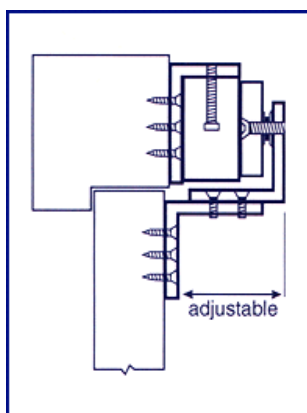
Technical Information

Model	MCX600U	MCX600M
Input voltage	12/24V	12/24V
Current consumption (quiescent)	430mA (+/- 2.5%@13.5v)	450mA (+/- 2.5%@13.5v)
Holding force	600kgs (1320lb)	600kgs (1320lb)
Lock size (L)	266mm	266mm
Lock size (H)	73mm	73mm
Lock size (W)	40mm	40mm
Magnetic bond sensor	No	Yes
Bi colour LED.	No	Yes
Door status switch	No	no
Monitored changeover	No	Yes
Mounting	surface	surface

Installation Drawings



L Bracket Installation
Outward opening installation



Z Bracket Installation
Inward opening installation