

Encapsulated Transformers

115V + 115V Primary, Low Profile



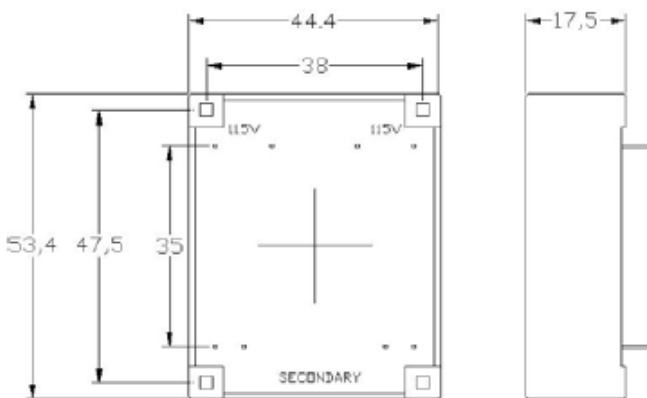
Features:

- Robust construction.
- Wide range of secondary voltages available.
- Single voltage and Dual voltage secondary combination.
- 2.0VA up to 52VA.
- CE marked.

Designed and manufactured according to international safety standard EN61558. Multicomp encapsulated transformers are the result of long experience in the field of manufacturing high quality transformers.

Due to their construction and encapsulation these transformers provide excellent performance in aggressive environments where potential exists for changes in temperature and humidity.

Specifications 1VA - 2VA Per Secondary Winding

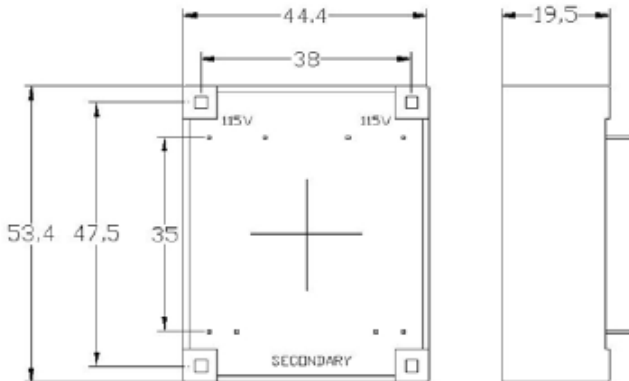


Power Rating	Secondary	Part Number
1VA - 2VA per secondary winding	0-6V, 0-6V @ 0.16A	15-4650CU
	0-9V, 0-9V @ 0.11A	15-4651CU
	0-12V, 0-12V @ 0.08A	15-4652CU
	0-15V, 0-15V @ 0.06A	15-4653CU
	0-18V, 0-18V @ 0.05A	15-4654CU
	0-21V, 0-21V @ 0.16A	15-4655CU



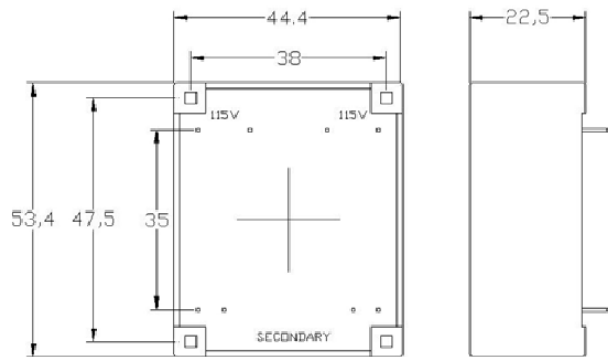
Encapsulated Transformers

115V + 115V Primary, Low Profile



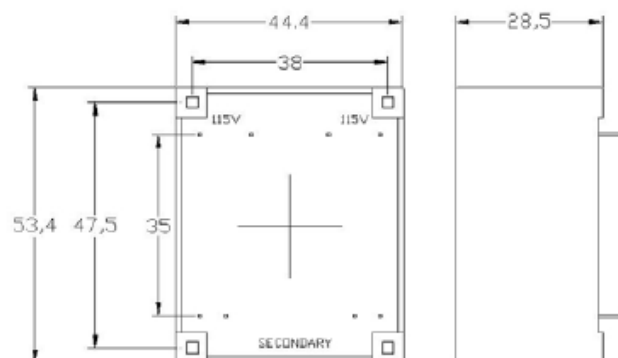
Specifications 2VA - 4VA Per Secondary Winding

Power Rating	Secondary	Part Number
2VA - 4VA per secondary winding	0-6V, 0-6V @ 0.33A	15-4656CU
	0-9V, 0-9V @ 0.22A	15-4657CU
	0-9V, 0-9V @ 0.16A	15-4658CU
	0-15V, 0-15V @ 0.13A	15-4659CU
	0-18V, 0-18V @ 0.11A	15-4660CU
	0-21V, 0-21V @ 0.09A	15-4661CU



Specifications 3VA - 6VA Per Secondary Winding

Power Rating	Secondary	Part Number
3VA - 6VA per secondary winding	0-6V, 0-6V @ 0.5A	15-4662CU
	0-9V, 0-9V @ 0.33A	15-4663CU
	0-12V, 0-12V @ 0.25A	15-4664CU
	0-15V, 0-15V @ 0.2A	15-4665CU
	0-18V, 0-18V @ 0.16A	15-4666CU
	0-21V, 0-21V @ 0.14A	15-4667CU



Specifications 5VA - 10VA Per Secondary Winding

Power Rating	Secondary	Part Number
5VA - 10VA per secondary winding	0-6V, 0-6V @ 0.83A	15-4668CU
	0-9V, 0-9V @ 0.55A	15-4669CU
	0-12V, 0-12V @ 0.41A	15-4670CU
	0-15V, 0-15V @ 0.33A	15-4671CU
	0-18V, 0-18V @ 0.27A	15-4672CU
	0-21V, 0-21V @ 0.41A	15-4673CU

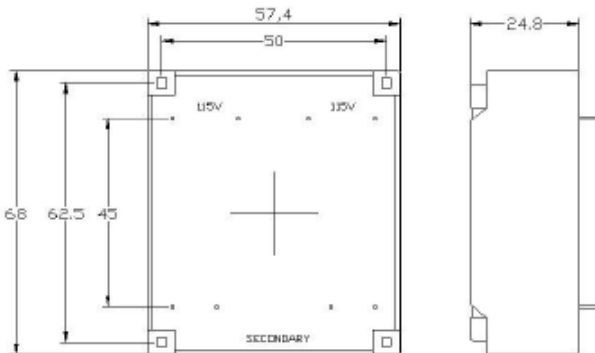


Encapsulated Transformers

115V + 115V Primary, Low Profile

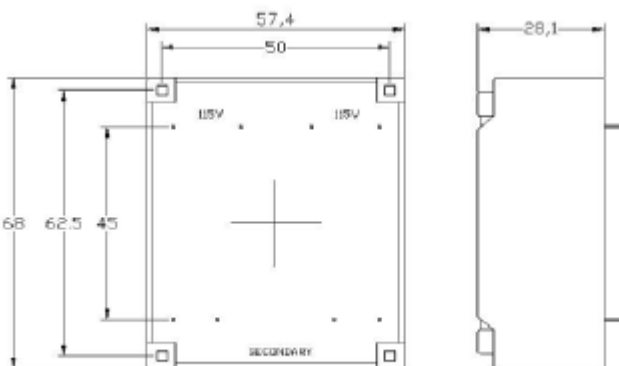


Specifications 7VA - 14VA Per Secondary Winding



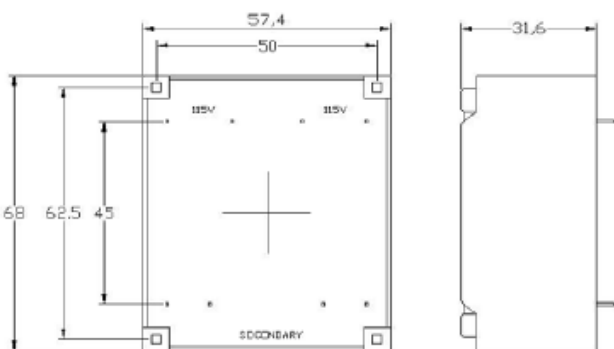
Power Rating	Secondary	Part Number
7VA - 14VA per secondary winding	0-6V, 0-6V @ 1.16A	15-4674CU
	0-9V, 0-9V @ 0.77A	15-4675CU
	0-12V, 0-12V @ 0.58A	15-4676CU
	0-15V, 0-15V @ 0.46A	15-4677CU
	0-18V, 0-18V @ 0.38A	15-4678CU
	0-21V, 0-21V @ 0.33A	15-4679CU

Specifications 9VA - 18VA Per Secondary Winding



Power Rating	Secondary	Part Number
9VA - 18VA per secondary winding	0-6V, 0-6V @ 1.5A	15-4680CU
	0-9V, 0-9V @ 1.0A	15-4681CU
	0-12V, 0-12V @ 0.75A	15-4682CU
	0-15V, 0-15V @ 0.6A	15-4683CU
	0-18V, 0-18V @ 0.5A	15-4684CU
	0-21V, 0-21V @ 0.42A	15-4685CU

Specifications 12VA - 24VA Per Secondary Winding

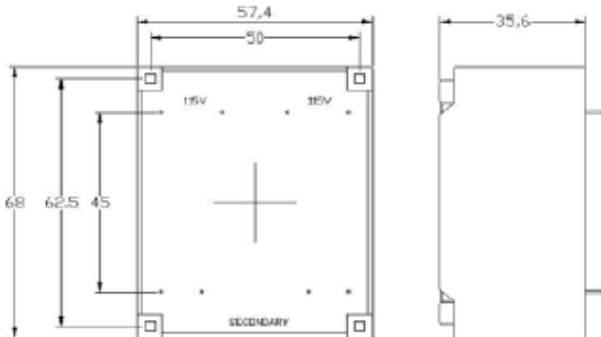


Power Rating	Secondary	Part Number
12VA - 24VA per secondary winding	0-6V, 0-6V @ 2.0A	15-4686CU
	0-9V, 0-9V @ 1.33A	15-4687CU
	0-12V, 0-12V @ 1.0A	15-4688CU
	0-15V, 0-15V @ 0.8A	15-4689CU
	0-18V, 0-18V @ 0.66A	15-4690CU
	0-21V, 0-21V @ 0.57A	15-4691CU



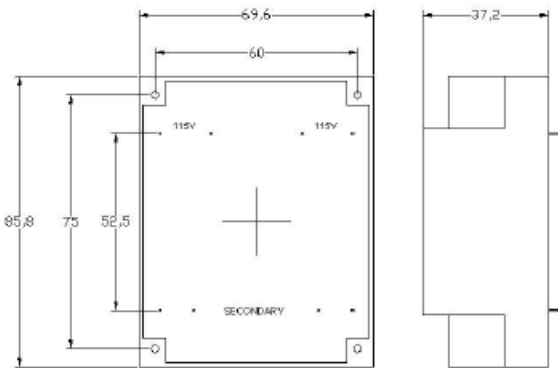
Encapsulated Transformers

115V + 115V Primary, Low Profile



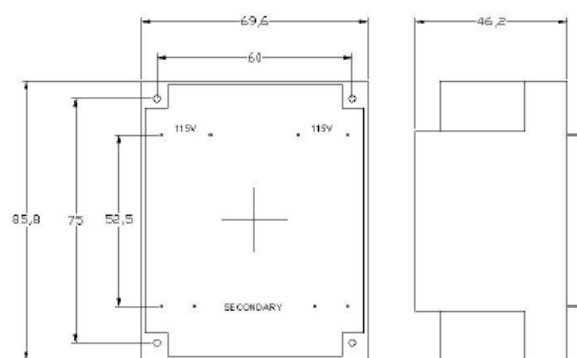
Specifications 15VA - 30VA Per Secondary Winding

Power Rating	Secondary	Part Number
15VA - 30VA per secondary winding	0-6V, 0-6V @ 2.5A	15-4692CU
	0-9V, 0-9V @ 1.66A	15-4693CU
	0-12V, 0-12V @ 1.25A	15-4694CU
	0-15V, 0-15V @ 1.0A	15-4695CU
	0-18V, 0-18V @ 0.83A	15-4696CU
	0-21V, 0-21V @ 0.71A	15-4697CU



Specifications 21VA - 42VA Per Secondary Winding

Power Rating	Secondary	Part Number
21VA - 42VA per secondary winding	0-6V, 0-6V @ 3.5A	15-4698CU
	0-9V, 0-9V @ 2.3A	15-4699CU
	0-12V, 0-12V @ 1.75A	15-4700CU



Specifications 26VA - 52VA Per Secondary Winding

Power Rating	Secondary	Part Number
26VA - 52VA per secondary winding	0-6V, 0-6V @ 4.3A	15-4701CU
	0-9V, 0-9V @ 2.8A	15-4702CU
	0-12V, 0-12V @ 2.1A	15-4703CU



Encapsulated Transformers

115V + 115V Primary, Low Profile



Notes:

International Sales Offices:



AUSTRALIA – Farnell InOne
Tel No: ++ 61 2 9645 8888
Fax No: ++ 61 2 9644 7898



FINLAND – Farnell InOne
Tel No: ++ 358 9 560 7780
Fax No: ++ 358 9 345 5411



NETHERLANDS – Farnell InOne
Tel No: ++ 31 30 241 7373
Fax No: ++ 31 30 241 7333



SWITZERLAND – Farnell InOne
Tel No: ++ 41 1 204 64 64
Fax No: ++ 41 1 204 64 54



AUSTRIA – Farnell InOne
Tel No: ++ 43 662 2180 680
Fax No: ++ 43 662 2180 670



FRANCE – Farnell InOne
Tel No: ++ 33 474 68 99 99
Fax No: ++ 33 474 68 99 90



NEW ZEALAND – Farnell InOne
Tel No: ++ 64 9 357 0646
Fax No: ++ 64 9 357 0656



UK – Farnell InOne
Tel No: ++ 44 8701 200 200
Fax No: ++ 44 8701 200 201



BELGIUM – Farnell InOne
Tel No: ++ 32 3 475 2810
Fax No: ++ 32 3 227 3648



GERMANY – Farnell InOne
Tel No: ++ 49 89 61 39 39 39
Fax No: ++ 49 89 613 59 01



NORWAY – Farnell InOne
Tel No: ++ 45 44 53 66 66
Fax No: ++ 45 44 53 66 02



UK – BuckHickman InOne
++ 44 8450 510 150
++ 44 8450 510 130



BRAZIL – Farnell-Newark InOne
Tel No: ++ 55 11 4066 9400
Fax No: ++ 55 11 4066 9410



HONG KONG – Farnell-Newark InOne
Tel No: ++ 852 2268 9888
Fax No: ++ 852 2268 9899



PORTUGAL – Farnell InOne
Tel No: ++ 34 93 475 8804
Fax No: ++ 34 93 474 5288



UK – CPC
++ 44 8701 202 530
++ 44 8701 202 531



CHINA – Farnell-Newark InOne
Tel No: ++86 10 6238 5152
Fax No: ++86 10 6238 5022



IRELAND – Farnell InOne
Tel No: ++ 353 1 830 9277
Fax No: ++ 353 1 830 9016



SINGAPORE – Farnell-Newark InOne
Tel No: ++ 65 6788 0200
Fax No: ++ 65 6788 0300



EXPORT – Farnell InOne
Tel No: ++ 44 8701 200 208
Fax No: ++ 44 8701 200 209

For enquiries from all other markets



DENMARK – Farnell InOne
Tel No: ++ 45 44 53 66 44
Fax No: ++ 45 44 53 66 06



ITALY – Farnell InOne
Tel No: ++ 39 02 93 995 200
Fax No: ++ 39 02 93 995 300



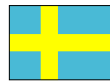
SPAIN – Farnell InOne
Tel No: ++ 34 93 475 8805
Fax No: ++ 34 93 474 5107



ESTONIA – Farnell InOne
Tel No: ++ 358 9 560 7780
Fax No: ++ 358 9 345 5411



MALAYSIA – Farnell-Newark InOne
Tel No: ++ 60 3 7873 8000
Fax No: ++ 60 3 7873 7000



SWEDEN – Farnell InOne
Tel No: ++ 46 8 730 50 00
Fax No: ++ 46 8 83 52 62

<http://www.farnellinone.com>

<http://www.buckhickmaninone.com>

<http://www.cpc.co.uk>

Disclaimer This data sheet and its contents (the "Information") belong to the Premier Farnell Group (the "Group") or are licensed to it. No licence is granted for the use of it other than for information purposes in connection with the products to which it relates. No licence of any intellectual property rights is granted. The Information is subject to change without notice and replaces all data sheets previously supplied. The Information supplied is believed to be accurate but the Group assumes no responsibility for its accuracy or completeness, any error in or omission from it or for any use made of it. Users of this data sheet should check for themselves the Information and the suitability of the products for their purpose and not make any assumptions based on information included or omitted. Liability for loss or damage resulting from any reliance on the Information or use of it (including liability resulting from negligence or where the Group was aware of the possibility of such loss or damage arising) is excluded. This will not operate to limit or restrict the Group's liability for death or personal injury resulting from its negligence. Multicomp is the registered trademark of the Group. © Premier Farnell plc 2004.

