

## KM6-II CHASSIS SYSTEM

*KM6-EC COMPATIBLE*

The chassis system offers a method of mounting simple plates into subracks. They can be used for carrying additional components such as power supplies, or for securing wiring etc.

The components of this system are designed for maximum versatility, comprising extrusions and flat plates.

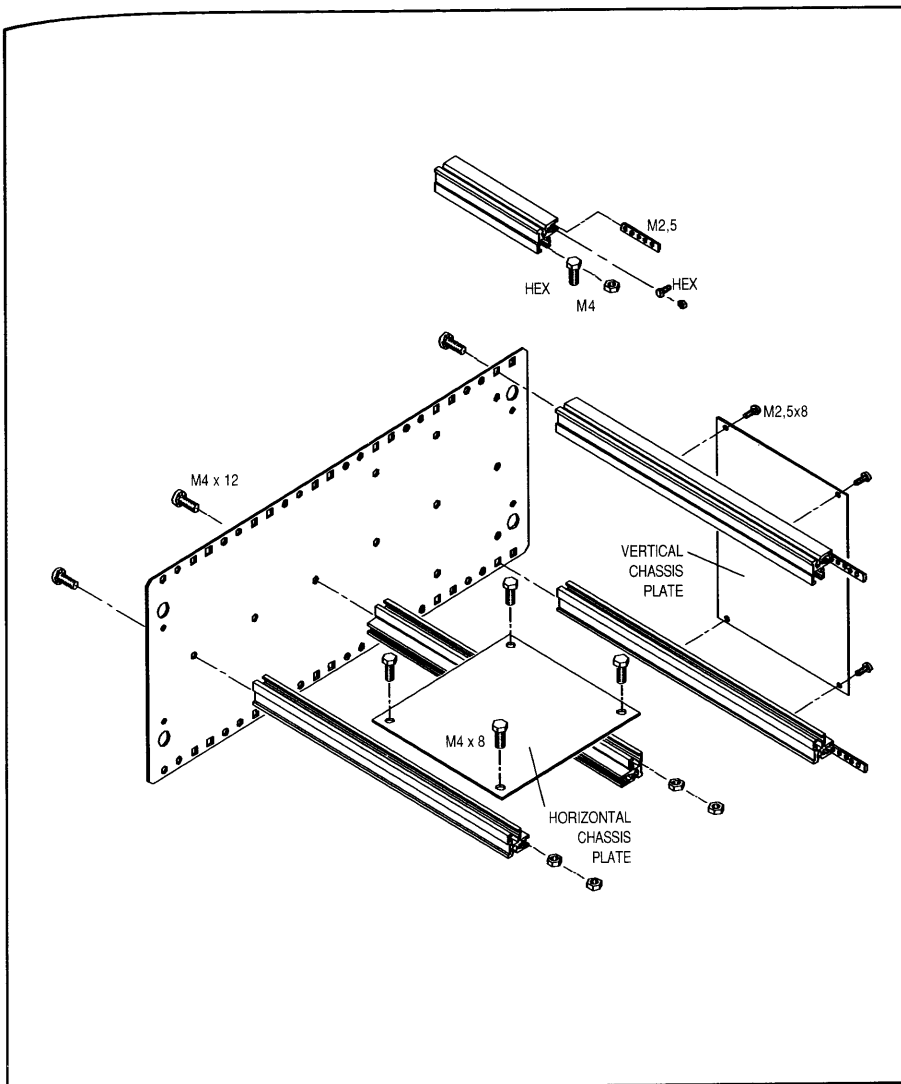
The extrusion has an M4 section which will accept hex nuts or screws directly and a section which will accept a KM6-II tapped strip or M2,5 hex nuts and screws. The extrusion is tapped M4 for fixing and our standard subrack kits have additional holes to provide convenient mounting centres.

A series of flat chassis plates is available to suit.

### MATERIAL SPECIFICATIONS

Extrusions : aluminium alloy BS1474  
6063T6, finish Alocrom  
1000 or equivalent.

Chassis plates : 0,9mm Zintec, natural



KM6-II CHASSIS SYSTEM

### Ordering information

Description	Unit	Order code
Chassis extrusion, 42HP	each	956-242701D
Chassis extrusion, 60HP	each	956-242702B
Chassis extrusion, 84HP	each	956-242703L
Vertical chassis plate 3U x 42HP	each	956-242704J
Vertical chassis plate 3U x 60HP	each	956-242705G
Vertical chassis plate 3U x 84HP	each	956-242706E
Horizontal chassis plate 103mm x 42HP	each	956-242707C
Horizontal chassis plate 103mm x 60HP	each	956-242708A
Horizontal chassis plate 103mm x 84HP	each	956-242709K
Screws M2,5 x 8 hex head	Pk 100	956-243262K
Screws M4 x 8 hex head	Pk 100	956-243263H
M2,5 hex nuts	Pk 100	27-1319C
M4 hex nuts	Pk 100	956-243264F
Extrusion fixing screw M4 x 12 pan posi	Pk 100	956-243261A