

PLEASE CHECK WWW.MOLEX.COM FOR LATEST PART INFORMATION

Part Number: **0355330205**
Status: **Active**
Overview: Automotive Bulb Sockets
Description: PT Bulb Socket Single Housing Assembly, Type A, P21W, Unsealed, Gray

Documents:

[3D Model](#) [Product Specification PS-35532-001-001 \(PDF\)](#)
[3D Model \(PDF\)](#) [Packaging Specification PK-35533-001-001 \(PDF\)](#)
[Drawing \(PDF\)](#) [RoHS Certificate of Compliance \(PDF\)](#)

General

Product Family	Other Sockets
Series	<u>35533</u>
Comments	A-Type, A-Type
Component Type	Socket
Overview	<u>Automotive Bulb Sockets</u>
Product Name	PT Bulb Socket
UPC	756054202852

Physical

Circuits (Loaded)	2
Circuits (maximum)	2
Color - Resin	Gray
Durability (mating cycles max)	50
Entry Angle	Vertical
Keying to Mating Part	None
Material - Metal	Phosphor Bronze
Material - Resin	Nylon
Net Weight	5.520/g
PCB Locator	No
PCB Retention	N/A
Packaging Type	Bag
Pitch - Mating Interface	N/A
Temperature Range - Operating	-40° to +85°C
Termination Interface: Style	Through Hole

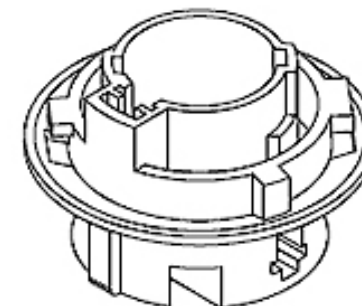
Electrical

Current - Maximum per Contact	7.0A
Voltage - Maximum	12V

Material Info

Reference - Drawing Numbers

Packaging Specification	PK-35533-001-001
Product Specification	PS-35532-001-001
Sales Drawing	SD-35533-001



Series image - Reference only

EU ELV

Compliant

EU RoHS

Compliant

REACH SVHC

Not Contained Per -
ED/71/2019 (16 July
2019)

Halogen-Free

Status

Low-Halogen

For more information, please visit [Contact US](#)

China ROHS

ELV

RoHS Phthalates

China RoHS

Not Relevant

Compliant

Not Contained

Search Parts in this Series

[35533 Series](#)

Mates With

Bayonet Base Bulb

Use With

Positive Terminal for PT Bulb Socket [35438](#)

Earth Terminal for PT Bulb Socket
[35439](#)