

RJ45 Receptacle

Tabup 100M+USB Receptacle

multicomp PRO



Electrical Characteristics:

Test Temperature: (25°C ±5°C)

RJ45 Insulation Resistance	: 500MΩ Min.
RJ45 Dielectric withstanding Voltage	: 1,000V AC Min.
USB Insulation Resistance	: 1,000MΩ Min.
USB Contact Resistance	: 30mΩ Max.
USB Dielectric withstanding Voltage	: 500V AC Min.
USB Contact Current Rating	: 1.5A Max.

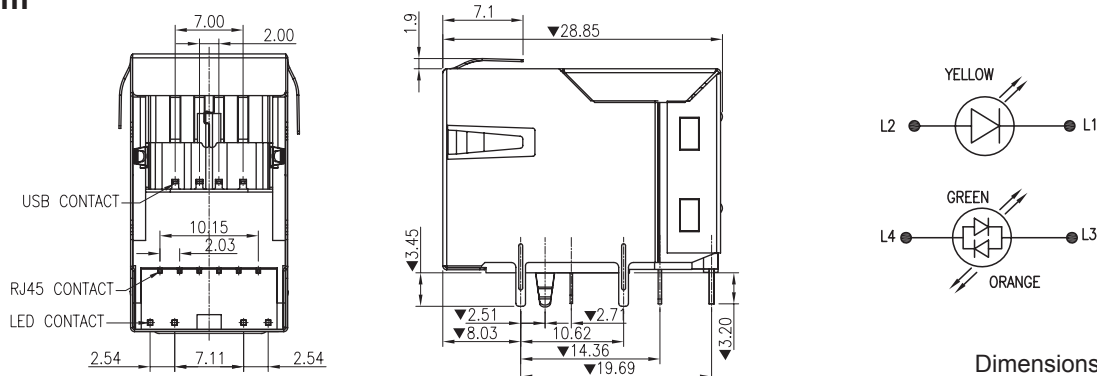
Transmitter Filter & Receiver Filter

Type	: Blance Low Pass 100Ω Impedance
Insertion Loss	
1dB Max. at 1MHz to 100MHz	
Return Loss	
18dB Min. at 1MHz to 30MHz load 100Ω	
16dB Min. at 30MHz to 60MHz load 100Ω	
12dB Min. at 60MHz to 80MHz load 100Ω	
Common Mode Rejection	
30dB Min at 1MHz to 100MHz	
Cross Talk	
30dB Min at 1MHz to 100MHz	
Inductance	: 100kHz, 100mV, 8mA, DC BIAS Input : (R2-R3);(R4-R5)
350μH Min.	
Hipot	
Input	: (R2-R3) to output (C1-C2) = 1,500V AC for 60 Seconds
Input	: (R4-R5) to output (C3-C6) = 1,500V AC for 60 Seconds

Materials and Finish

Housing	: High Thermoplastic; UL94V-0
Shell	: Stainless, T=0.2mm, Solder Tail Area Plated Tin.
RJ45 Output Terminal	: Copper Alloy, T=0.3mm, Gold Flash Plated in Contact Area, Tin 100μ" Min. Plated in Solder Tail
RJ45 Input Terminal	: Copper Alloy, T=0.35mm, Plated Tin Overall
USB Terminal	: Copper Alloy, T=0.25mm, Told Flash Plated in Contact Area, Tin 100μ" Min. Plated in Solder Tail.

Diagram

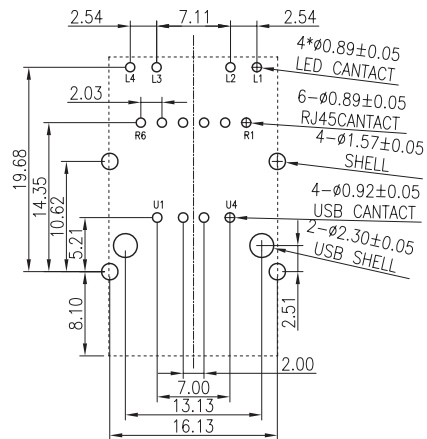
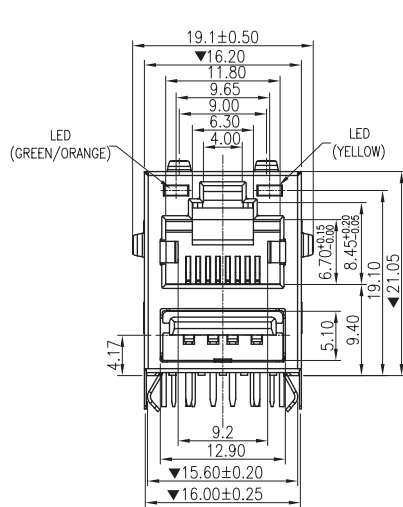


Newark.com/multicomp-pro
 Farnell.com/multicomp-pro
 Element14.com/multicomp-pro

multicomp PRO

RJ45 Receptacle Tabup 100M+USB Receptacle

multicomp PRO

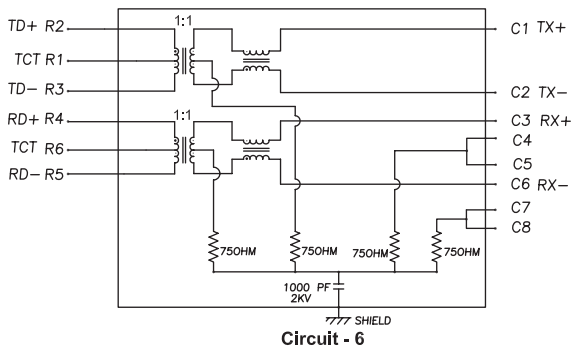


RECOMMENDED PCB LAYOUT
COMPONENT SIDE
PCB THICKNESS: 1.60mm
ALL DIMENSION TOLERANCE ARE ±0.05
UNLESS OTHERWISE SPECIFIED

RJ45 SCHEMATIC

CONNECTOR SOLDER SIDE

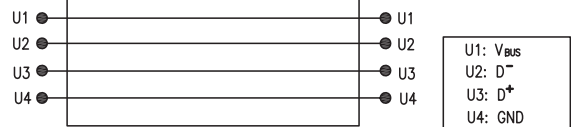
RJ45 CONTACT SIDE



USB SCHEMATIC

INPUT

OUTPUT



Dimensions : Millimetres

Part Number Table

Description	Part Number
RJ45 Receptacle Tabup 100M+USB Receptacle, Shielded With Led, Contact G/F	MC001519

Important Notice : This data sheet and its contents (the "Information") belong to the members of the AVNET group of companies (the "Group") or are licensed to it. No licence is granted for the use of it other than for information purposes in connection with the products to which it relates. No licence of any intellectual property rights is granted. The Information is subject to change without notice and replaces all data sheets previously supplied. The Information supplied is believed to be accurate but the Group assumes no responsibility for its accuracy or completeness, any error in or omission from it or for any use made of it. Users of this data sheet should check for themselves the Information and the suitability of the products for their purpose and not make any assumptions based on information included or omitted. Liability for loss or damage resulting from any reliance on the Information or use of it (including liability resulting from negligence or where the Group was aware of the possibility of such loss or damage arising) is excluded. This will not operate to limit or restrict the Group's liability for death or personal injury resulting from its negligence. Multicomp Pro is the registered trademark of Premier Farnell Limited 2019.

Newark.com/multicomp-pro
Farnell.com/multicomp-pro
Element14.com/multicomp-pro

multicomp PRO