

**Circular Plastic Connectors, Series 3**

**CPC Connectors, Series 3**



Listed part numbers are for connectors only; **contacts must be ordered separately.**

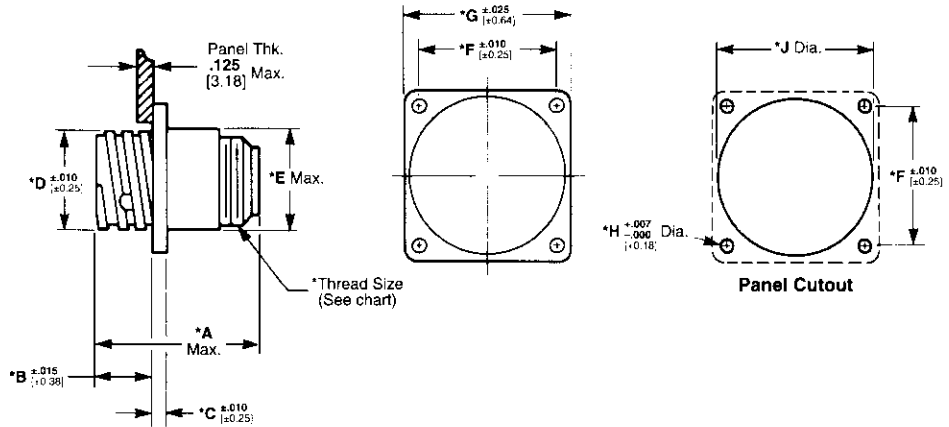
**Material**

**Housing**—Thermoplastic, 94V-0 rated, black

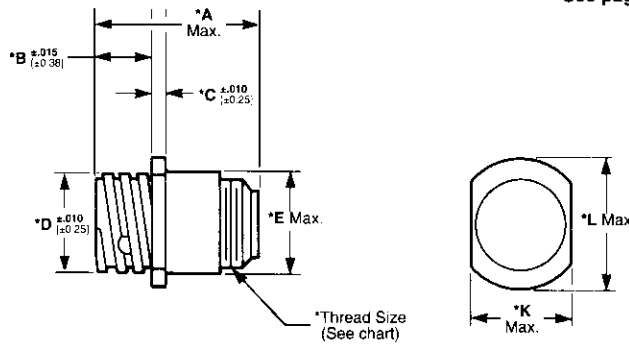
**Related Product Data**

- Contacts—Page 33-34
- Contact Arrangement—Page 34
- Component Dimensions—Page 35\*
- Accessories—Pages 37-41
- Performance Characteristics—Page 6
- Application Tooling—Pages 75-78
- Technical Documents—Page 79

**Square Flange Receptacle**

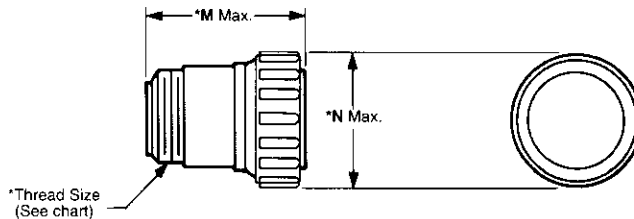


**Free-Hanging Receptacle**



**\*Note:**  
See page 35 for Callout Dimensions

**Plug**



**Standard Sex Connectors**

(Receptacles accept Type XII Male/pin contacts, Plugs accept Type XII Female/socket contacts)

Arrangement	Square Flange Receptacle		Free-Hanging Receptacle	Plug
	With Mounting Holes	With Threaded Inserts <sup>1</sup>		
17-3	206036-2	213581-1	206207-1	206037-2
23-7	206137-1	206137-5	206137-2	206136-1

<sup>1</sup>Four 4-40 threaded inserts per receptacle.

**Reverse Sex Connectors**

(Receptacles accept Type XII Female/socket contacts, Plugs accepts Type XII Male/pin contacts)

Arrangement	Square Flange Receptacle		Free-Hanging Receptacle	Plug
	With Mounting Holes	With Threaded Inserts <sup>1</sup>		
17-3	206425-1	206425-5	206425-2	206426-1
23-7	206227-1	206227-6	206227-2	206226-1

<sup>1</sup>Four 4-40 threaded inserts per receptacle.

**Note:** Maximum wire insulation diameter is .220 [5.59].

**Replacement Coupling Rings**

Shell Size	Part No.
17	213810-1
23	213812-1