

Multicomp Pro Stripboard and Accessories Kit

multicomp PRO



2768726

Desoldering Wick

Specifications

Dispenser Type : Thumb Wheel, Black
 Width : 0.5mm / 1mm / 1.5mm / 2mm / 2.5mm / 3mm / 3.5mm
 Length : 1.5m

**RoHS
Compliant**

Features

- Thumb-wheel design can ensure easy control on the Desoldering wire feeding speed
- With the stainless steel nozzle, the finger will not feel hot during operation
- Desoldering wire is vacuum sealed inside to protect it from moisture and to prolong the life span of the product
- Coating of flux provides dependable, long-lasting protection from oxidation
- Desoldering wire design can simplify the desoldering of printed circuit board components, non-PC board applications, etc.

Solder Wire



3262211

Features

- Excellent solder joint reliability.
- Superior joint strength.
- Excellent thermal & Mechanical fatigue resistance.
- Low cleaning required after solder joint.

Specifications

Characteristics		Standard
Appearance	Bright and shiny surface finishes	
Alloy	Sn/ Cu 0.7	JIS-Z-3282
Melting Point	227°C to 228°C	DSC
Flux Content	3 ±1%	JIS-Z-3283
Halide Content	Under 0.5%	JIS-Z-3197
Gravity	7.3	
Spread Ability	>75%	JIS-Z-3197
Diameters (Tolerances)	0.3mm to 0.6mm ±0.05mm, 0.8mm to 3mm ±0.1mm	JIS-Z-3283
Storage, Handling and Shelf Life	Storage must be in a dry, non-corrosive and shine environment. Avoids the oxidant, the acid and the hydrogen peroxide. Shelf life is 2 years from date of manufacture.	

Physical Properties & Reliability Data

No	Test Item	Test Result	Test Method
1	Copper Mirror Test	PASS	IPC-TM-650, 2.3.32
2	Copper Plate Corrosion	PASS	JIS-Z-3197, 6.6.1
3	S.I.R Test	PASS 1x10 ¹⁰ up	IPC-TM-650, 2.6.3.3
4	Electro Migration Test	PASS 1x10 ¹⁰ up	IPC-TM-650, 2.6.14.1

Alloy Composition

Sn	Cu	Ag	Ni	Bi	Zn	Ai	Sb	Fe	As	Cd	Pb	In	Au
Rem.	0.5 to 0.9	0.1 MAX	0 to 0.01	0.1 MAX	0.001 MAX	0.001 MAX	0.05 MAX	0.02 MAX	0.03 MAX	0.002 MAX	0.05 MAX	0.1 MAX	0.05 MAX

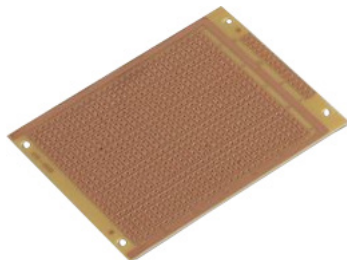
Newark.com/multicomp-pro
 Farnell.com/multicomp-pro
 Element14.com/multicomp-pro

multicomp PRO

Multicomp Pro Stripboard and Accessories Kit

multicomp PRO

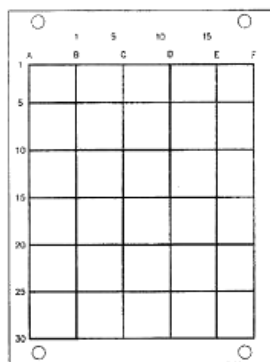
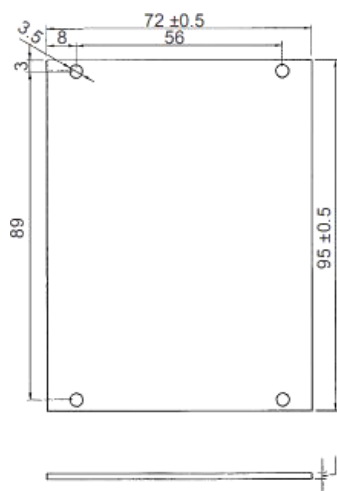
Stripboard



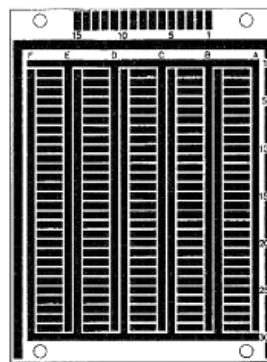
2768280

Features

- 1.6mm Thick Phenolic prototyping boards
- Pre-drilled index holes on a 0.1" (2.54mm) pitch
- Copper pads and tracks on one side of the board
- Flame resistant to UL94V-0
- Handy screw mounting holes in each corner
- Grid patterns designed for prototyping with ICs
- 95mm × 72mm
- 780 Holes and bus tracks for mounting standard ICs



Top Overlay



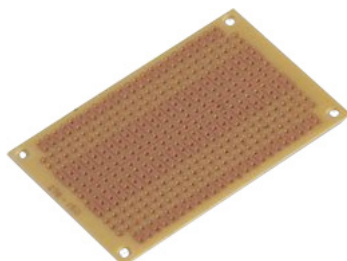
Bottom Layer

Notes

1. No Mark
2. Tolerance unless otherwise specified ± 0.3
3. Material: 1.6mm Thickness 94V-0 Single Side

Dimensions : Millimetres

Stripboard



2768279

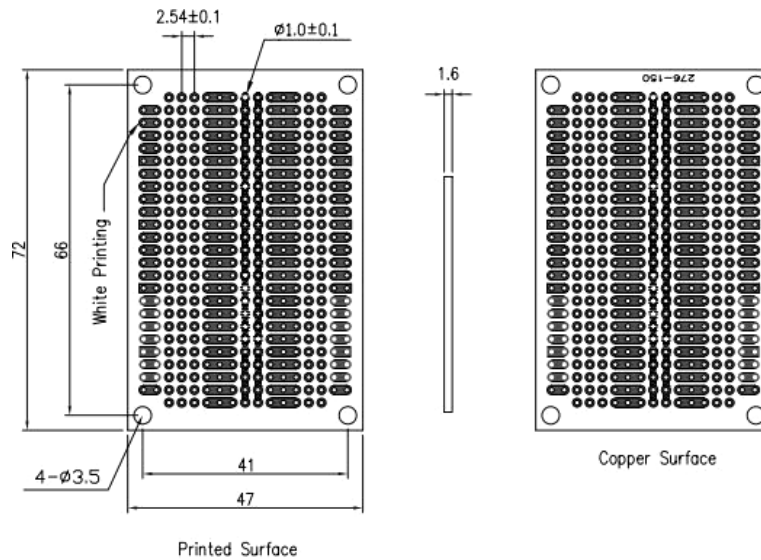
Features

- 1.6mm Thick Phenolic prototyping boards
- Pre-drilled index holes on a 0.1" (2.54mm) pitch
- Copper pads and tracks on one side of the board
- Flame resistant to UL94V-0
- Handy screw mounting holes in each corner
- Grid patterns designed for prototyping with ICs
- 72mm × 47mm
- 417 Holes arranged for mounting standard ICs

multicomp PRO

Multicomp Pro Stripboard and Accessories Kit

multicomp PRO



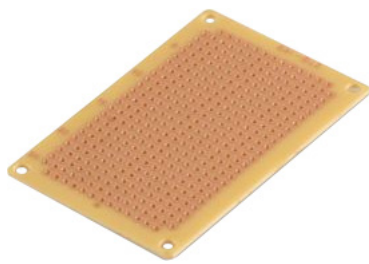
Notes

1. No Mark
2. Tolerance unless otherwise specified ± 0.3
3. Material: 1.6mm Thickness 94V-0 Single Side

Stripboard

Features

- 1.6mm Thick Phenolic prototyping boards
- Pre-drilled index holes on a 0.1" (2.54mm) pitch
- Each hole surrounded by a copper pad on one side of the board
- Flame resistant to UL94V-0
- Handy screw mounting holes in each corner
- Grid co-ordinates marking on the sides of the boards
- 72mm \times 47mm
- 371 Holes on a 25 \times 15 grid

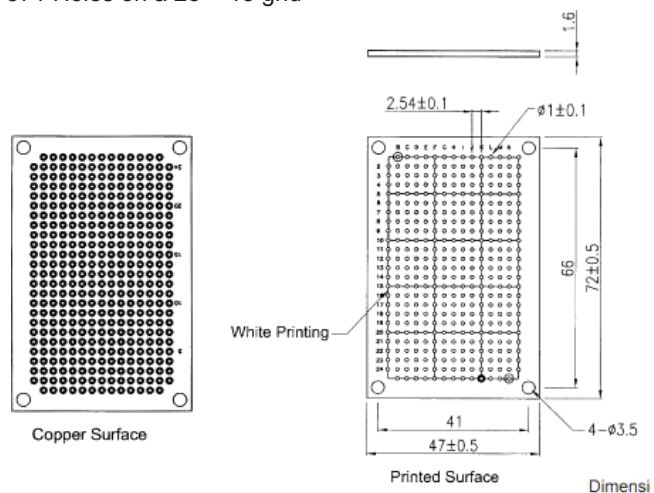


2768277

Notes

1. No Mark
2. Tolerance unless otherwise specified ± 0.3
3. Material: 1.6mm Thickness 94V-0 Single Side

Dimensions : Millimetres



Newark.com/multicomp-pro
Farnell.com/multicomp-pro
Element14.com/multicomp-pro

multicomp PRO

Multicomp Pro Stripboard and Accessories Kit

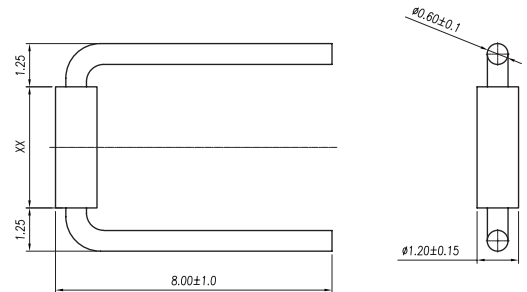
multicomp PRO

Jumper Wire Kit



2770338

Diagram



Dimensions : Millimetres

Linear Dimension (Tolerance Standard GB/T 14486-2008)												≡	—	▭	//	⊥
Variable Range	to 6	Over 6 to 10	Over 10 to 18	Over 18 to 30	Over 30 to 50	Over 50 to 80	Over 80 to 120	Over 120 to 160	Over 160 to 200	Over 200 to 250	Over 250 to	all	to 5	Over 5 to 30	Over 30 to 120	Over 120 to
Tolerance	±0.1	±0.14	±0.19	±0.25	±0.32	±0.45	±0.57	±0.72	±0.88	±1.05	±1.25	0.5	0.025	0.06	0.12	0.4

Notes:

- XX for lengths of jumper wires
- Wires Lengths, Colours and Quantity:
 - 2mm: bare wire, 10 Pcs
 - 5mm: Red, 10 Pcs
 - 7mm: Orange, 10 Pcs
 - 10mm: Yellow, 10 Pcs
 - 12mm: Green, 10 Pcs
 - 15mm: Blue, 10 Pcs
 - 17mm: Purple, 10 Pcs
 - 20mm: Grey, 10 Pcs
 - 22mm: White, 10 Pcs
 - 25mm: Brown, 10 Pcs
 - 50mm: Red, 10 Pcs
 - 75mm: Orange, 10 Pcs
 - 100mm: Yellow, 10 Pcs
 - 125mm: Green, 10 Pcs
- Wire Range: 22AWG/Single Conductor

PCB Feet



2987536

Features

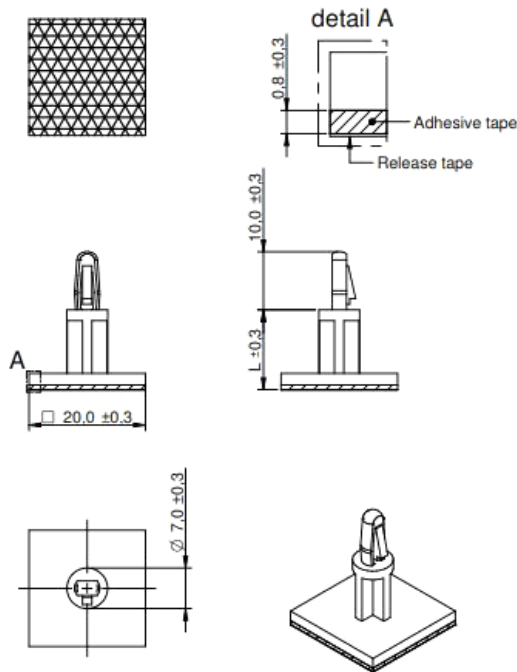
- PCB Support Type : Lock-In Support With Adhesive Base
- PCB Support Material : Nylon 6.6 (Polyamide 6.6)
- Colour : Natural
- Height : 9.9mm
- External Width : 7mm
- Product Range : WA-SNAD Series
- Operating Temperature : -30°C to +85°C

Newark.com/multicomp-pro
 Farnell.com/multicomp-pro
 Element14.com/multicomp-pro

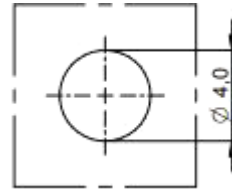
multicomp PRO

Multicomp Pro Stripboard and Accessories Kit

multicomp PRO



Drilling in Panel



Dimensions : Millimetres

Pack of 100 Solder Pins



145282

Features

Accessory Type : Solder Pin
For Use With : PCB

multicomp PRO

Multicomp Pro Stripboard and Accessories Kit

multicomp PRO

Kit Content Description		
Order Code	Description	Quantity
2768726	Desoldering Wick	1
3262211	Solder Wire	1
2768280	Stripboard	10
2768279	Stripboard	10
2768277	Stripboard	10
2770338	Jumper Wire kit	4
2987536	PCB Feet	120
145282	Pack of 100 solder pins	1

Part Number Table

Description	Part Number
Multicomp Pro Stripboard & Accessories Kit	35421452

Important Notice : This data sheet and its contents (the "Information") belong to the members of the AVNET group of companies (the "Group") or are licensed to it. No licence is granted for the use of it other than for information purposes in connection with the products to which it relates. No licence of any intellectual property rights is granted. The Information is subject to change without notice and replaces all data sheets previously supplied. The Information supplied is believed to be accurate but the Group assumes no responsibility for its accuracy or completeness, any error in or omission from it or for any use made of it. Users of this data sheet should check for themselves the Information and the suitability of the products for their purpose and not make any assumptions based on information included or omitted. Liability for loss or damage resulting from any reliance on the Information or use of it (including liability resulting from negligence or where the Group was aware of the possibility of such loss or damage arising) is excluded. This will not operate to limit or restrict the Group's liability for death or personal injury resulting from its negligence. Multicomp Pro is the registered trademark of Premier Farnell Limited 2019.

Newark.com/multicomp-pro
Farnell.com/multicomp-pro
Element14.com/multicomp-pro

multicomp PRO