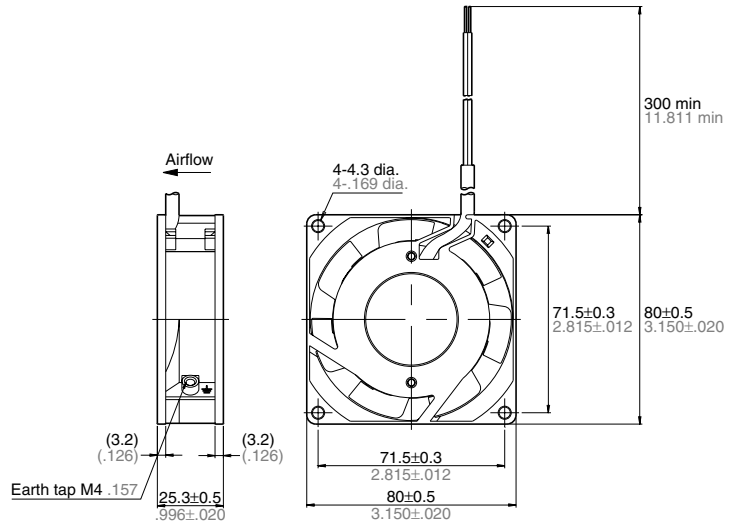


NEW



DIMENSIONS (mm inch)



RoHS Directive compatibility information
<http://www.mew.co.jp/ac/e/environment/>

RATING

Lead wire type, Standard speed

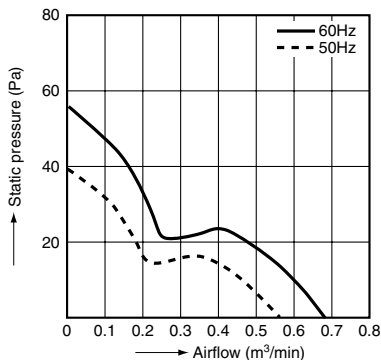
| Part number | Rated voltage (V) | Frequency (Hz) | Input power, $\pm 10\%$ (W) | Rated current* ¹ (mA) | Locked current* ³ (mA) | Rotation speed* ² (r/min) | Max. air flow* ² (m ³ /min) | Max. static pressure* ² (Pa) | Noise* ³ (dB(A)) | Operating voltage range (V) (%) | Weight (kg) |
|-------------|-------------------|----------------|-----------------------------|----------------------------------|-----------------------------------|--------------------------------------|---|---|-----------------------------|---------------------------------|-------------|
| ASEN80214 | 200 | 50/60 | 7/6 | 60/50 | 70/60 | 2500/3000 | 0.57/0.68 | 39.0/55.0 | 24/31 (28.5/35.5) | ±10 | 0.24 |
| ASEN80216 | 230 | | 7.5/6.5 | 50/45 | 60/55 | | | | | | |

*1: Designates maximum values, *2: Designates minimum values, *3: Designates average values

Notes: 1. Values above without designations are averages.

2. Noise level was measured at a distance of 1 m from side of fan. Values in brackets were measured at a distance of 1 m from front of fan.

DATA (Airflow - Static pressure Characteristic Curve)



MATERIALS USED

Frame: aluminum alloy die-casting
 Propeller: plastic
 Bearings: ball bearings
 Lead wires: UL3266 and AWG22

Label: 200 V class...red base

SPECIFICATIONS

| | | |
|-----------------------|---|---------------------------|
| Ambient temperature | -10°C to +60°C +14°F to +140°F | |
| Ambient humidity | 15 to 85%RH | |
| Storage temperature | -20°C to +70°C -4°F to +158°F | |
| Breakdown voltage | 1,500 V AC for 1 min. (between charging section and frame) | |
| Insulation resistance | Min. 100MΩ (at 500 V DC megger)(between charging section and frame) | |
| Insulation class | UL:A class, CSA:B class | |
| Vibration resistance | Frequency | 10 to 55Hz |
| | Double amplitude width | 0.75mm |
| | Applied direction | X, Y and Z directions |
| | Applied time | 10 min. in each direction |
| Protection | Impedance protected | |
| Mean life | MTTF: 50,000 hrs. (Time it takes until rotation frequency drops 30% of initial value when run continuously under 25°C 77°F and room humidity at the nominal voltage.) | |

* UL and CSA standard: Pending