

# RL78/G1N Fast Prototyping Board

User's Manual

16-Bit Single-Chip Microcontrollers

RL78 Family

All information contained in these materials, including products and product specifications, represents information on the product at the time of publication and is subject to change by Renesas Electronics Corporation. without notice. Please review the latest information published by Renesas Electronics Corporation. through various means, including the Renesas Electronics Corp. website (<http://www.renesas.com>).

## Notice

1. Descriptions of circuits, software and other related information in this document are provided only to illustrate the operation of semiconductor products and application examples. You are fully responsible for the incorporation or any other use of the circuits, software, and information in the design of your product or system. Renesas Electronics disclaims any and all liability for any losses and damages incurred by you or third parties arising from the use of these circuits, software, or information.
2. Renesas Electronics hereby expressly disclaims any warranties against and liability for infringement or any other claims involving patents, copyrights, or other intellectual property rights of third parties, by or arising from the use of Renesas Electronics products or technical information described in this document, including but not limited to, the product data, drawings, charts, programs, algorithms, and application examples.
3. No license, express, implied or otherwise, is granted hereby under any patents, copyrights or other intellectual property rights of Renesas Electronics or others.
4. You shall not alter, modify, copy, or reverse engineer any Renesas Electronics product, whether in whole or in part. Renesas Electronics disclaims any and all liability for any losses or damages incurred by you or third parties arising from such alteration, modification, copying or reverse engineering.
5. Renesas Electronics products are classified according to the following two quality grades: "Standard" and "High Quality". The intended applications for each Renesas Electronics product depends on the product's quality grade, as indicated below.
  - "Standard": Computers; office equipment; communications equipment; test and measurement equipment; audio and visual equipment; home electronic appliances; machine tools; personal electronic equipment; industrial robots; etc.
  - "High Quality": Transportation equipment (automobiles, trains, ships, etc.); traffic control (traffic lights); large-scale communication equipment; key financial terminal systems; safety control equipment; etc.Unless expressly designated as a high reliability product or a product for harsh environments in a Renesas Electronics data sheet or other Renesas Electronics document, Renesas Electronics products are not intended or authorized for use in products or systems that may pose a direct threat to human life or bodily injury (artificial life support devices or systems; surgical implantations; etc.), or may cause serious property damage (space system; undersea repeaters; nuclear power control systems; aircraft control systems; key plant systems; military equipment; etc.). Renesas Electronics disclaims any and all liability for any damages or losses incurred by you or any third parties arising from the use of any Renesas Electronics product that is inconsistent with any Renesas Electronics data sheet, user's manual or other Renesas Electronics document.
6. When using Renesas Electronics products, refer to the latest product information (data sheets, user's manuals, application notes, "General Notes for Handling and Using Semiconductor Devices" in the reliability handbook, etc.), and ensure that usage conditions are within the ranges specified by Renesas Electronics with respect to maximum ratings, operating power supply voltage range, heat dissipation characteristics, installation, etc. Renesas Electronics disclaims any and all liability for any malfunctions, failure or accident arising out of the use of Renesas Electronics products outside of such specified ranges.
7. Although Renesas Electronics endeavors to improve the quality and reliability of Renesas Electronics products, semiconductor products have specific characteristics, such as the occurrence of failure at a certain rate and malfunctions under certain use conditions. Unless designated as a high reliability product or a product for harsh environments in a Renesas Electronics data sheet or other Renesas Electronics document, Renesas Electronics products are not subject to radiation resistance design. You are responsible for implementing safety measures to guard against the possibility of bodily injury, injury or damage caused by fire, and/or danger to the public in the event of a failure or malfunction of Renesas Electronics products, such as safety design for hardware and software, including but not limited to redundancy, fire control and malfunction prevention, appropriate treatment for aging degradation or any other appropriate measures. Because the evaluation of microcomputer software alone is very difficult and impractical, you are responsible for evaluating the safety of the final products or systems manufactured by you.
8. Please contact a Renesas Electronics sales office for details as to environmental matters such as the environmental compatibility of each Renesas Electronics product. You are responsible for carefully and sufficiently investigating applicable laws and regulations that regulate the inclusion or use of controlled substances, including without limitation, the EU RoHS Directive, and using Renesas Electronics products in compliance with all these applicable laws and regulations. Renesas Electronics disclaims any and all liability for damages or losses occurring as a result of your noncompliance with applicable laws and regulations.
9. Renesas Electronics products and technologies shall not be used for or incorporated into any products or systems whose manufacture, use, or sale is prohibited under any applicable domestic or foreign laws or regulations. You shall comply with any applicable export control laws and regulations promulgated and administered by the governments of any countries asserting jurisdiction over the parties or transactions.
10. It is the responsibility of the buyer or distributor of Renesas Electronics products, or any other party who distributes, disposes of, or otherwise sells or transfers the product to a third party, to notify such third party in advance of the contents and conditions set forth in this document.
11. This document shall not be reprinted, reproduced or duplicated in any form, in whole or in part, without prior written consent of Renesas Electronics.
12. Please contact a Renesas Electronics sales office if you have any questions regarding the information contained in this document or Renesas Electronics products.

(Note1) "Renesas Electronics" as used in this document means Renesas Electronics Corporation and also includes its directly or indirectly controlled subsidiaries.

(Note2) "Renesas Electronics product(s)" means any product developed or manufactured by or for Renesas Electronics.

(Rev.4.0-1 November 2017)

## Corporate Headquarters

TOYOSU FORESIA, 3-2-24 Toyosu,  
Koto-ku, Tokyo 135-0061, Japan

[www.renesas.com](http://www.renesas.com)

## Trademarks

Renesas and the Renesas logo are trademarks of Renesas Electronics Corporation. All trademarks and registered trademarks are the property of their respective owners.

## Contact information

For further information on a product, technology, the most up-to-date version of a document, or your nearest sales office, please visit:  
[www.renesas.com/contact/](http://www.renesas.com/contact/).

## General Precautions in the Handling of Microprocessing Unit and Microcontroller Unit Products

The following usage notes are applicable to all Microprocessing unit and Microcontroller unit products from Renesas. For detailed usage notes on the products covered by this document, refer to the relevant sections of the document as well as any technical updates that have been issued for the products.

### 1. Precaution against Electrostatic Discharge (ESD)

A strong electrical field, when exposed to a CMOS device, can cause destruction of the gate oxide and ultimately degrade the device operation. Steps must be taken to stop the generation of static electricity as much as possible, and quickly dissipate it when it occurs. Environmental control must be adequate. When it is dry, a humidifier should be used. This is recommended to avoid using insulators that can easily build up static electricity. Semiconductor devices must be stored and transported in an anti-static container, static shielding bag or conductive material. All test and measurement tools including work benches and floors must be grounded. The operator must also be grounded using a wrist strap. Semiconductor devices must not be touched with bare hands. Similar precautions must be taken for printed circuit boards with mounted semiconductor devices.

### 2. Processing at power-on

The state of the product is undefined at the time when power is supplied. The states of internal circuits in the LSI are indeterminate and the states of register settings and pins are undefined at the time when power is supplied. In a finished product where the reset signal is applied to the external reset pin, the states of pins are not guaranteed from the time when power is supplied until the reset process is completed. In a similar way, the states of pins in a product that is reset by an on-chip power-on reset function are not guaranteed from the time when power is supplied until the power reaches the level at which resetting is specified.

### 3. Input of signal during power-off state

Do not input signals or an I/O pull-up power supply while the device is powered off. The current injection that results from input of such a signal or I/O pull-up power supply may cause malfunction and the abnormal current that passes in the device at this time may cause degradation of internal elements. Follow the guideline for input signal during power-off state as described in your product documentation.

### 4. Handling of unused pins

Handle unused pins in accordance with the directions given under handling of unused pins in the manual. The input pins of CMOS products are generally in the high-impedance state. In operation with an unused pin in the open-circuit state, extra electromagnetic noise is induced in the vicinity of the LSI, an associated shoot-through current flows internally, and malfunctions occur due to the false recognition of the pin state as an input signal become possible.

### 5. Clock signals

After applying a reset, only release the reset line after the operating clock signal becomes stable. When switching the clock signal during program execution, wait until the target clock signal is stabilized. When the clock signal is generated with an external resonator or from an external oscillator during a reset, ensure that the reset line is only released after full stabilization of the clock signal. Additionally, when switching to a clock signal produced with an external resonator or by an external oscillator while program execution is in progress, wait until the target clock signal is stable.

### 6. Voltage application waveform at input pin

Waveform distortion due to input noise or a reflected wave may cause malfunction. If the input of the CMOS device stays in the area between  $V_{IL}$  (Max.) and  $V_{IH}$  (Min.) due to noise, for example, the device may malfunction. Take care to prevent chattering noise from entering the device when the input level is fixed, and also in the transition period when the input level passes through the area between  $V_{IL}$  (Max.) and  $V_{IH}$  (Min.).

### 7. Prohibition of access to reserved addresses

Access to reserved addresses is prohibited. The reserved addresses are provided for possible future expansion of functions. Do not access these addresses as the correct operation of the LSI is not guaranteed.

### 8. Differences between products

Before changing from one product to another, for example to a product with a different part number, confirm that the change will not lead to problems. The characteristics of a microprocessing unit or microcontroller unit products in the same group but having a different part number might differ in terms of internal memory capacity, layout pattern, and other factors, which can affect the ranges of electrical characteristics, such as characteristic values, operating margins, immunity to noise, and amount of radiated noise. When changing to a product with a different part number, implement a system-evaluation test for the given product.

# How to Use This Manual

## 1. Purpose and Target Readers

This manual is designed to provide the user with an understanding of the basic specifications and correct usage of this product.

The target users are those who are using this product to evaluate the RL78/G1N microcontroller and debug programs. The readers of this manual must have basic knowledge about the features of microcontrollers and debuggers.

Particular attention should be paid to the precautionary notes when using the manual. These notes occur within the body of the text, at the end of each section, and in the Usage Notes section.

The revision history summarizes the locations of revisions and additions. It does not list all revisions. Refer to the text of the manual for details.

The following documents apply to the RL78/G1N Fast Prototyping Board. Be sure to refer to the latest versions of these documents. The newest versions of the listed documents are available on the Renesas Electronics Web site.

Document Type	Description	Document Title	Document No.
User's manual	Hardware specifications	RL78/G1N Fast Prototyping Board User's Manual	R20UT4810EJ (this manual)
Circuit schematics	Circuit schematics for the RL78/G1N Fast Prototyping Board	RL78/G1N Fast Prototyping Board Circuit Schematics	R20UT4811EJ
Parts list	Parts list for the RL78/G1N Fast Prototyping Board	RL78/G1N Fast Prototyping Board BOM LIST	R12TU0097EJ
Quick start guide	Overview and start guide for the RL78/G1N Fast Prototyping Board	RL78/G1N Fast Prototyping Board Quick Start Guide	R20UT4796EJ
User's manual for the hardware*	Hardware specifications (pin assignments, memory maps, peripheral function specifications, electrical characteristics, timing charts) and descriptions of operation	RL78/G1M, G1N User's Manual: Hardware	R01UH0904EJ

Note: Download the documents for the RL78/G1N from the product page for the RL78/G1N.

## 2. List of Abbreviations and Acronyms

Abbreviation	Full Form
Arduino™ Nano	Connectors compatible with the Arduino™ Nano 3.3 board are mounted on the fast prototyping board.
CPU	Central Processing Unit
DIP	Dual In-line Package
DNF	Do Not Fit
IDE	Integrated Development Environment
IRQ	Interrupt Request
HOCO	High-Speed On-Chip Oscillator
LOCO	Low-Speed On-Chip Oscillator
LED	Light Emitting Diode
MCU	Micro-controller Unit
n/a (NA)	Not applicable
n/c (NC)	Not connected
PC	Personal Computer
RAM	Random Access Memory
RFP	Renesas Flash Programmer
ROM	Read Only Memory
SPI	Serial Peripheral Interface
USB	Universal Serial Bus
UART	Universal Asynchronous Receiver/Transmitter
WDT	Watchdog timer

All trademarks and registered trademarks are the property of their respective owners.

# Table of Contents

1. Overview.....	1
1.1 Package Components.....	1
1.2 Purpose.....	1
1.3 Features.....	1
1.4 Preparation .....	1
1.5 RL78/G1N Fast Prototyping Board: Table of Specifications.....	2
1.6 Block Diagram.....	3
2. Board Layout .....	4
3. Parts Layout .....	5
4. Operating Environment.....	6
5. User Circuits .....	7
5.1 RL78/G1N .....	7
5.2 USB Connector .....	7
5.3 ACT LED .....	7
5.4 Power LED.....	7
5.5 User LED.....	7
5.6 Arduino™ Nano Connectors Multiplexed with the MCU Headers .....	8
5.7 Clock .....	10
5.8 Reset Switch .....	10
5.9 Emulator Reset Headers.....	10
5.10 Power-Supply Selection Header .....	11
5.11 External Power-Supply Header .....	12
5.12 Current Measurement Header .....	13
6. Handling Precautions.....	14
6.1 Power to be Supplied.....	14
6.2 Remodeling the Board .....	14
6.3 Limitation on the Number of Connected RL78/G1N Fast Prototyping Boards .....	14
6.4 Power-Supply Circuits and Usage Conditions .....	14
7. Developing Code .....	16
7.1 Using the e <sup>2</sup> studio .....	16
7.2 Using CS+ .....	17
8. Additional Information .....	18

# 1. Overview

## 1.1 Package Components

Thank you for purchasing the RL78/G1N Fast Prototyping Board evaluation tool from Renesas (hereinafter referred to as “this product”). This product consists of the following items.

- RL78/G1N Fast Prototyping Board (RTK5RLG1N0C00000BJ)
- Quick Start Guide

## 1.2 Purpose

This product is an evaluation tool for a Renesas MCU. This user’s manual describes the hardware specifications, the method of setting the switches on the board, and the basic procedures for setting this product up.

## 1.3 Features

This product can handle the following tasks.

- Programming of the Renesas MCU
- Debugging of user code
- User circuits for LEDs
- Sample programs\*<sup>1</sup>

Note: Sample programs are available for downloading from the Renesas Web site.

[https://www.renesas.com/rl78g1n\\_fpb](https://www.renesas.com/rl78g1n_fpb)

## 1.4 Preparation

Install the integrated development environment (IDE) and required software from the following URL on the host PC.

<https://www.renesas.com/development-tools>

## 1.5 RL78/G1N Fast Prototyping Board: Table of Specifications

Table 1-1 shows the specifications of this product.

**Table 1-1 RL78/G1N Fast Prototyping Board Specification Table**

Item	Specification
MCU (RL78/G1N)	Part No.: R5F11Y68ASM
	Package: 20-pin TSSOP
	On-chip memory: 8-KB ROM, 1-KB RAM
Board size	18 mm x 67 mm
Power-supply voltage*1	USB connector: VBUS (5-V) input
	Power-supply IC: VBUS (5-V) input, 3.3-V output
	Power-supply selection header: 2.25 V to 5.5 V
Current drawn	Max. 200 mA
Current measurement header*2	Header: 2 pins x 1
Main clock	No circuit on the board (the MCU's internal HOCO is used)
Sub-clock	—
Push switch	Reset switch x 1
LEDs	Power indicator: green x 1
	User: green x 1
	ACT LED: green x 1
USB connector	Connector: Micro USB Type-B
Interface compatible with Arduino™ Nano 3.3	A set of 2.54-mm pitch connectors for Arduino™ Nano
MCU headers	Headers: 15 pins x 2 (shared with the interface compatible with Arduino™ Nano 3.3)
Emulator reset headers*2	Headers: 2 pins x 2

Notes: 1. The intended power supply for the RL78/G1N on the board as shipped is VBUS (5 V). For details, refer to Chapter 5, User Circuits.  
2. This part is not mounted.



## 1.6 Block Diagram

Figure 1-1 shows the block diagram of this product.

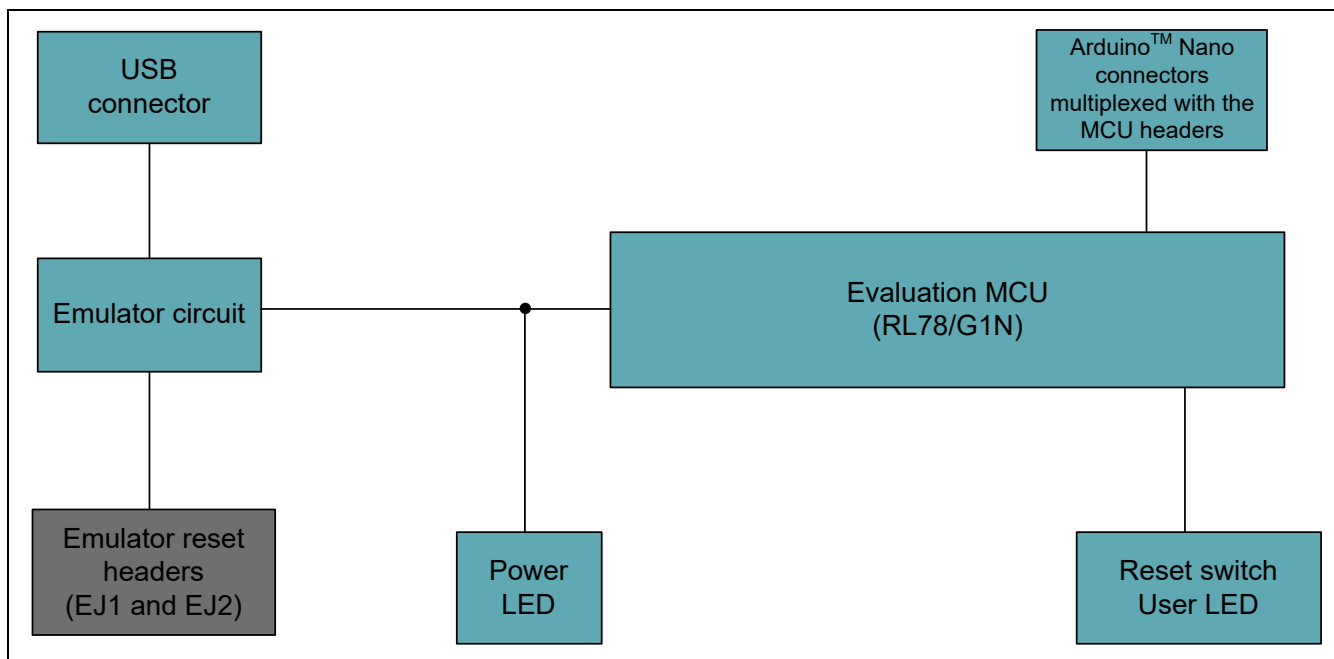


Figure 1-1 Block Diagram

## 2. Board Layout

Figure 2-1 shows the external appearance of the top side of this product.

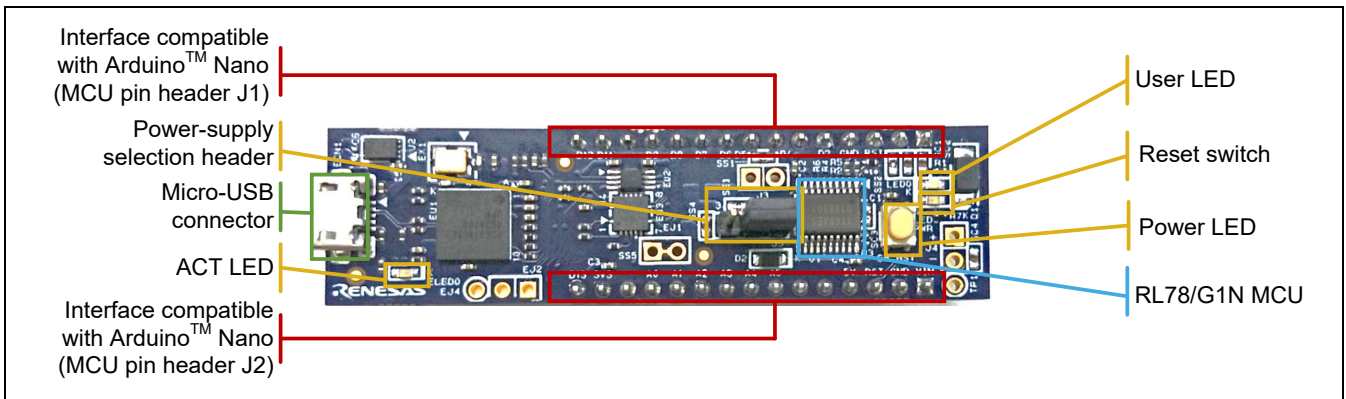


Figure 2-1 Board Layout (Top Side)

### 3. Parts Layout

Figure 3-1 shows the parts layout of this product.

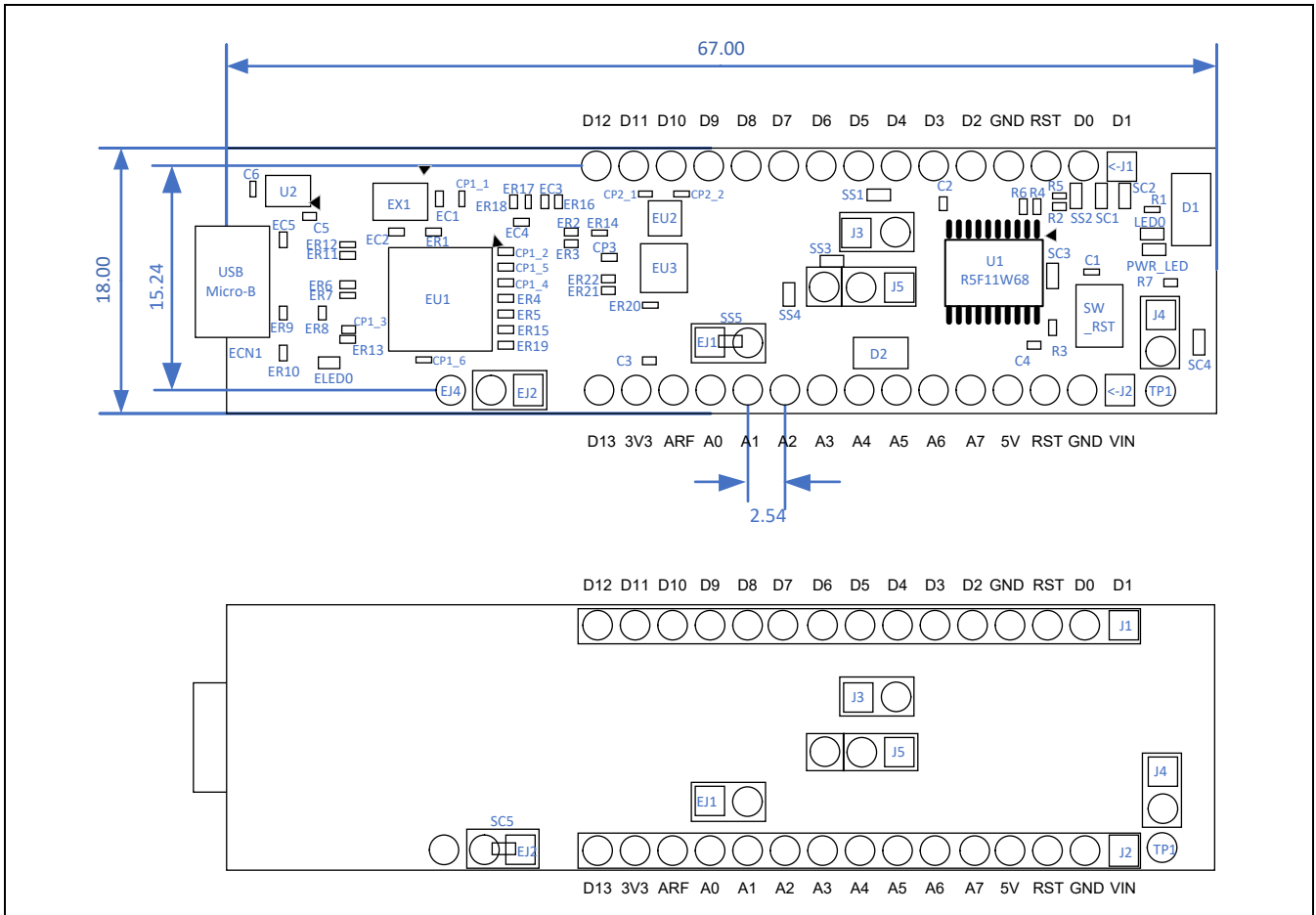


Figure 3-1 Parts Layout

## 4. Operating Environment

Figure 4-1 shows the operating environment of this product. Install the IDE from the following URL on the host PC. The installer automatically installs all required drivers along with the IDE.

<https://www.renesas.com/development-tools>

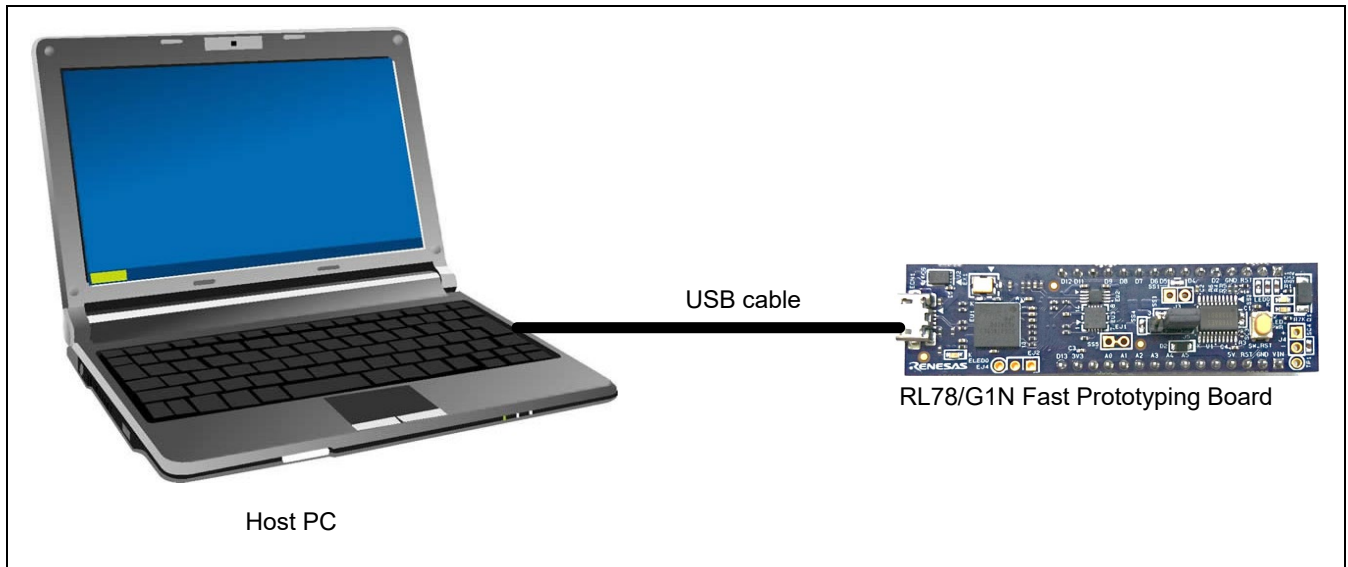


Figure 4-1 Operating Environment

## 5. User Circuits

### 5.1 RL78/G1N

The MCU specifications for the power supply, system clock, and reset at the time of shipment are as follows.

- Power supply: VBUS (5 V) (including the analog power supply)
- System clock: Operation with an on-chip oscillator
- Reset: Directed by the reset switch or IDE

### 5.2 USB Connector

The connector shape is micro-USB Type-B for the IDE and for the Renesas Flash Programmer (RFP). Connect the USB connector to the computer by a USB cable. If the power supply on the host side is on, the power is supplied to this product at the same time as connection of the cable.

Note: The package does not include a USB cable.

### 5.3 ACT LED

The ACT LED displays the state of operation of the emulator. The illumination conditions are listed below. The LED is green.

- Illuminated: Indicates that the emulator is connected to the target.
- Blinking: Indicates that the host PC has recognized the emulator.
- Not illuminated: Indicates that the emulator cannot be used for some reason (including its power being off).

### 5.4 Power LED

While the power LED is illuminated, power is being supplied to the board. The LED is green.

### 5.5 User LED

The optional user LED can be used for any purpose. LED0 is mounted on the board and is connected to the following port. The LED is green.

- LED0: Pin J1-7, connected to port P00

### 5.6 Arduino™ Nano Connectors Multiplexed with the MCU Headers

The specification of the Arduino™ Nano connector is on the assumption that Arduino™ Nano shields are to be connectable. However, we do not guarantee connection to all types of Arduino™ Nano shield. Confirm the specifications of this product against any Arduino™ Nano shield you intend to use.

Figure 5-1 and Table 5-1 show the pin assignments of the Arduino™ Nano connector.

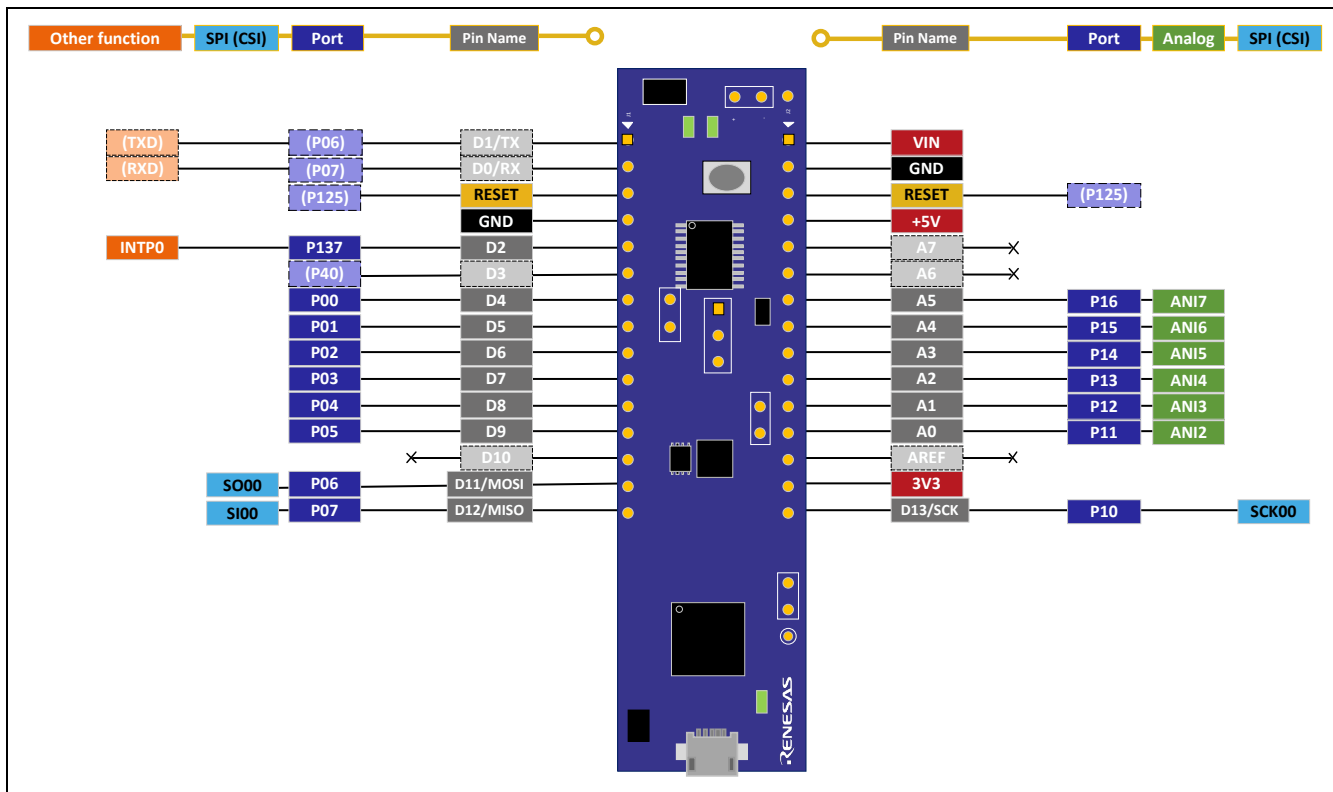


Figure 5-1 Pin Assignments of the Arduino™ Nano Connector

Table 5-1 Pin Assignments of the Arduino™ Nano Connector

Part No. in the Circuit Schematics	Name of Arduino™ Nano Signal	RL78/G1N					
		Pin	Power Supply	Port	Analog	Serial	Others
J1-1	PD1/TXD	(11)	—	(P06/TXD)*1	—	(TXD0)*1	—
J1-2	PD0/RXD	(12)	—	(P07/RXD)*2	—	(RXD0)*2	—
J1-3	RESET/PC6	1	—	P125	—	—	RESET
J1-4	GND	—	VSS	—	—	—	—
J1-5	PD2/INT0	2	—	P137	—	—	INTP0
J1-6	PD3/OC2B/INT1	(20)	—	(P40)*3	—	—	TOOL0
J1-7	PD4/T0/XCK	3	—	P00	—	—	LED
J1-8	PD5/T1/OC0B	4	—	P01	—	—	—
J1-9	PD6/OC0A/AIN0	5	—	P02	—	—	—
J1-10	PD7/AIN1	6	—	P03	—	—	—
J1-11	PB0/CLK0/ICP1	7	—	P04	—	—	—
J1-12	PB1/OC1A	8	—	P05	—	—	—
J1-13	PB2/OC1B/SS	—	—	—	—	—	—
J1-14	PB3/MOSI/OC2	11	—	P06	—	SO00	—
J1-15	PB4/MISO	12	—	P07	—	SI00	—
J2-1	VIN	—	—	—	—	—	—
J2-2	GND	—	VSS	—	—	—	—
J2-3	RESET/PC6	1	—	P125	—	—	RESET
J2-4	5V	—	—	—	—	—	—
J2-5	ADC7	—	—	—	—	—	—
J2-6	ADC6	—	—	—	—	—	—
J2-7	PC5/ADC5/SCL	19	—	P16	ANI7	—	—
J2-8	PC4/ADC4/SDA	18	—	P15	ANI6	—	—
J2-9	PC3/ADC3	17	—	P14	ANI5	—	—
J2-10	PC2/ADC2	16	—	P13	ANI4	—	—
J2-11	PC1/ADC1	15	—	P12	ANI3	—	—
J2-12	PC0/ADC0	14	—	P11	ANI2	—	—
J2-13	AREF	—	—	—	—	—	—
J2-14	3V3	—	VDD	—	—	—	—
J2-15	PB5/SCK	13	—	P10	—	SCK00	—

- Notes: 1. Using the function enclosed in () requires remodeling of the board in the form of short-circuiting a pattern that has been cut (SC2). This also connects the given signal to J1-14.
2. Using the function enclosed in () requires remodeling of the board in the form of short-circuiting a pattern that has been cut (SC1). This also connects the given signal to J1-15.
3. Using the function enclosed in () requires remodeling of the board in the form of short-circuiting a pattern that has been cut (SC3). However, since this signal functions as TOOL0 during debugging, it cannot be used as P40.

### 5.7 Clock

An internal clock of the MCU is used. For details on the specifications of the MCU clocks, refer to the RL78/G1N User’s Manual: Hardware.

### 5.8 Reset Switch

Pressing the reset switch (SW\_RST) applies a hardware reset to the RL78/G1N.

### 5.9 Emulator Reset Headers

The emulator is placed in the forced reset state by short-circuiting the emulator reset header (EJ2). At this time, remove SS5 and make EJ1 open-circuit. This allows stand-alone operation of the RL78/G1N independently of control by the IDE while the IDE is applying a forcible reset. Figure 5-2 shows the position of the emulator reset headers (EJ2, EJ1, and SS5) (only through-holes are provided; an actual header component is not mounted).

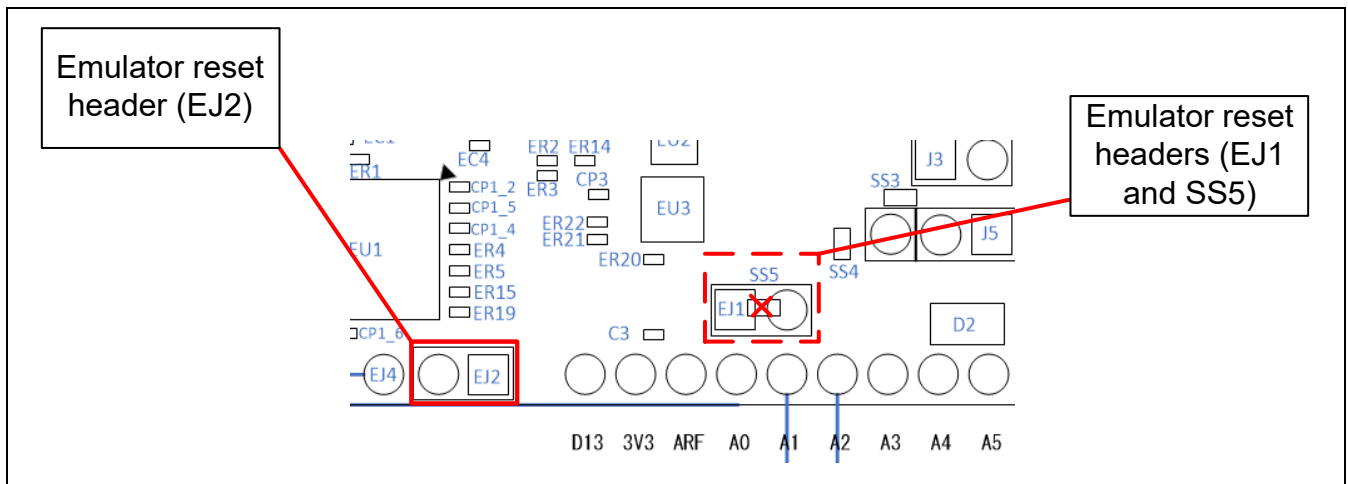


Figure 5-2 Position of the Emulator Reset Headers



### 5.10 Power-Supply Selection Header

The operating voltage of the RL78/G1N can be changed to VBUS (5 V) or 3.3 V with the use of this header (J5). Figure 5-3 shows the connection of the header for VBUS (5-V) output, and Figure 5-4 shows the connection of the header for 3.3-V output. The VBUS (5 V) output is initially selected in the product as shipped.

In the RL78/G1N, flash programming is possible with power-supply voltages in the range from 4.5 V to 5.5 V. If 3.3 V is selected, programming of the RL78/G1N and use of the emulator facilities are not possible.

If an Arduino™ Nano shield is to be connected, select or design one that has the same I/O voltage as the operating voltage of the RL78/G1N.

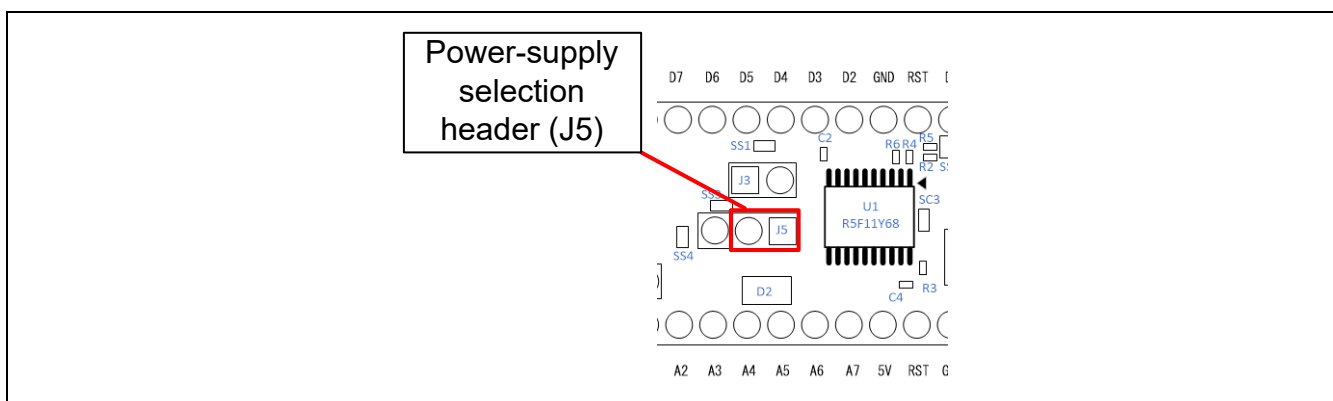


Figure 5-3 Header Setting for the VBUS (5-V) Output

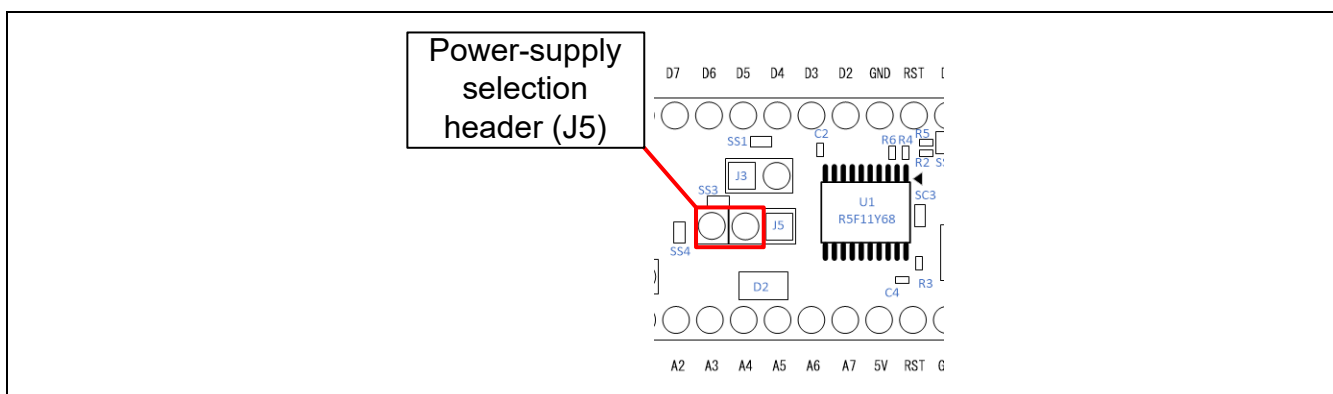


Figure 5-4 Header Setting for the 3.3-V Output

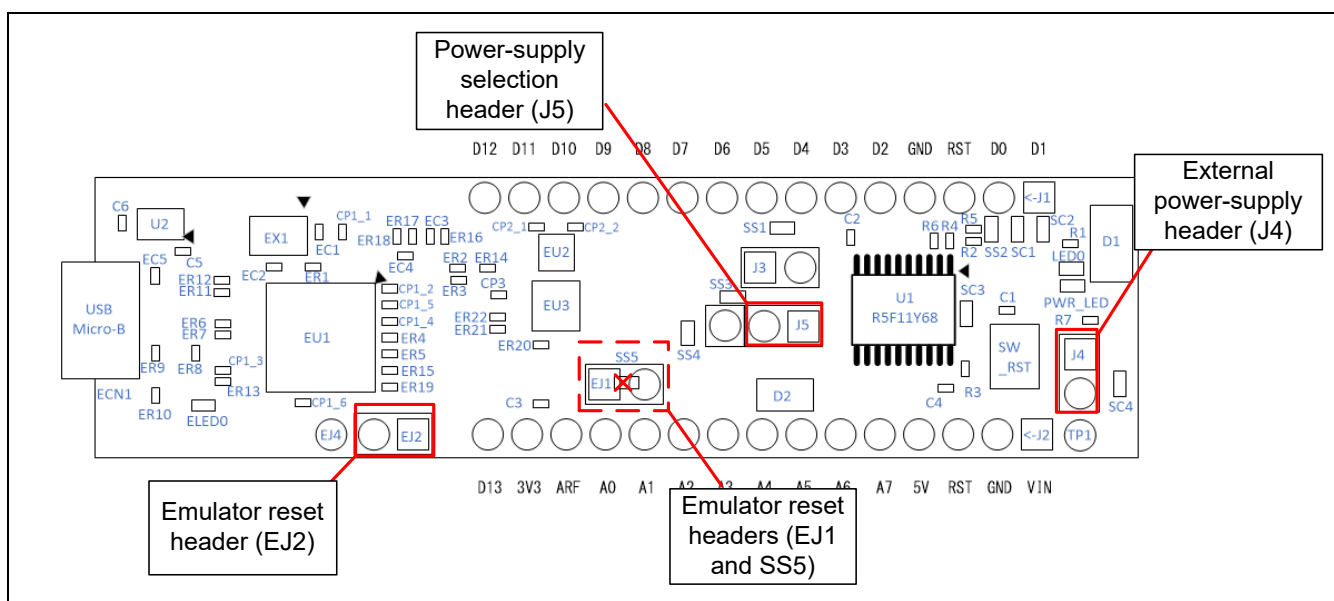
### 5.11 External Power-Supply Header

When operating the RL78/G1N at a desired external input voltage, or when more current is required than the USB is capable of supplying, use the external power-supply header (J4) to supply power. The usable voltage range is from 2.25 V to 5.5 V.

When this header is to be used, short-circuit pins 1 and 2 of the power-supply selection header (J5) (see Figure 5-5). In addition, short-circuit the emulator reset header (EJ2), remove SS5, and make EJ1 open-circuit, as described in section 5.9, Emulator Reset Headers, to place the emulator in the forced reset state. Power cannot be supplied from the USB at this time. Remove the USB cable.

Figure 5-5 shows the position of the external power-supply header (the J4 header component is not mounted).

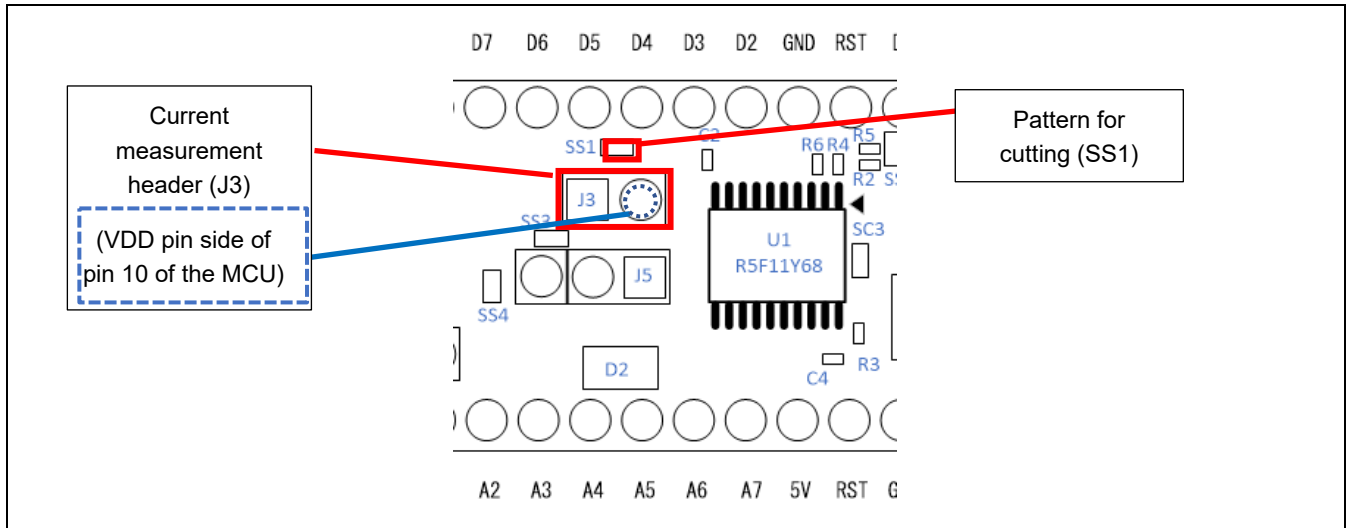
When power is being supplied through the external power-supply header, the connection of Arduino™ Nano shields for which the I/O voltage is 3.3 V is not possible.



**Figure 5-5 Position of the External Power-Supply Header**

### 5.12 Current Measurement Header

The current measurement header (J3) is used to measure the current drawn by the evaluation MCU (the J3 header component is not mounted). The current drawn can be measured by connecting an ammeter to the evaluation MCU. When this header is to be used, remove the relevant pattern for cutting (SS1). Figure 5-6 shows the positions of the header and pattern for cutting.



**Figure 5-6 Positions of the Current Measurement Header (J3) and Pattern for Cutting (SS1)**

## 6. Handling Precautions

### 6.1 Power to be Supplied

The maximum current that the power-supply IC (ISL9005AIRNZ-T from Renesas) can supply is 300 mA during operation at 3.3 V.

If power is to be supplied to this product via the USB, take care with the regard to the load that the USB-power source is capable of driving.

### 6.2 Remodeling the Board

Any modification of the board (including removing the patterns for cutting) shall be conducted at the user's own responsibility.

### 6.3 Limitation on the Number of Connected RL78/G1N Fast Prototyping Boards

Connecting the same host PC to multiple RL78/G1N Fast Prototyping Boards is not possible.

### 6.4 Power-Supply Circuits and Usage Conditions

Different power supplies can be selected by changing the jumper settings or remodeling the board. Table 6-1 shows the relationship between power-supply circuits and usage conditions. Figure 6-1 is a block diagram of the power-supply circuit.

**Table 6-1 Power-Supply Circuits and Usage Conditions**

Usage condition	Power-supply selection header	Operating voltage of the RL78/G1N	Products for 3.3-V I/O operation on the Arduino™ Nano shield*1	Products for 5-V I/O operation on the Arduino™ Nano shield*1	Use of an emulator and IDE
As shipped (default)	VBUS (5 V)	VBUS (5 V)	Not connectable	VBUS (5 V)	Possible
3.3-V supply	3.3 V	3.3 V	3.3 V	Not usable	Not possible
External power supply (2.25 V to 5.5 V)*2	1-2: short-circuit	2.25 V to 5.5 V	Not connectable	2.25 V to 5.5 V	Not possible

- Notes: 1. Connecting the RL78/G1N Fast Prototyping Board to a board supported by an Arduino™ Nano shield shall be conducted at the user's own responsibility and should only proceed after confirming the specifications of the power supply and interfaces.
2. For remodeling the board, refer to section 5.11, External Power-Supply Header.

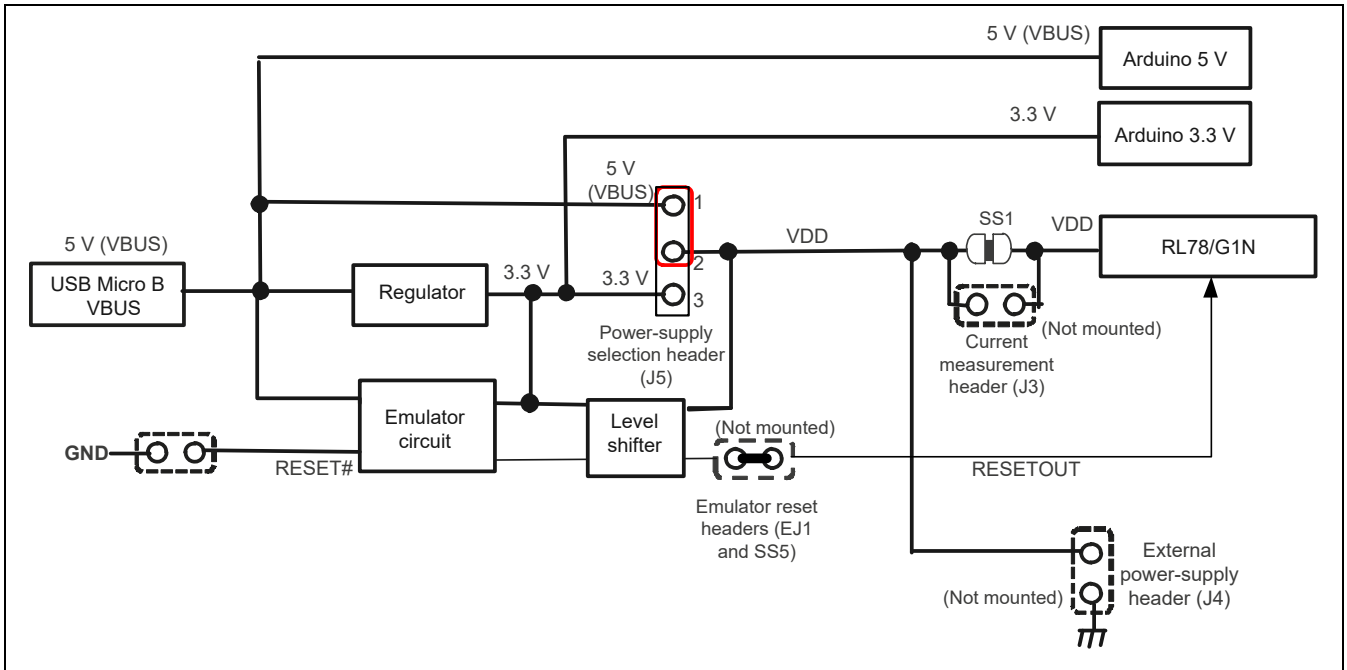


Figure 6-1 Block Diagram of the Power-Supply Circuits

## 7. Developing Code

### 7.1 Using the e<sup>2</sup> studio

Figure 7-1 shows the settings of the e<sup>2</sup> studio when creating a new project for the RL78/G1N Fast Prototyping Board.

- [Debug hardware]: Select [E2 Lite (RL78)].
- [Power Target From The Emulator]: Select [No].
- [Target Device]: Select [R5F11Y68].

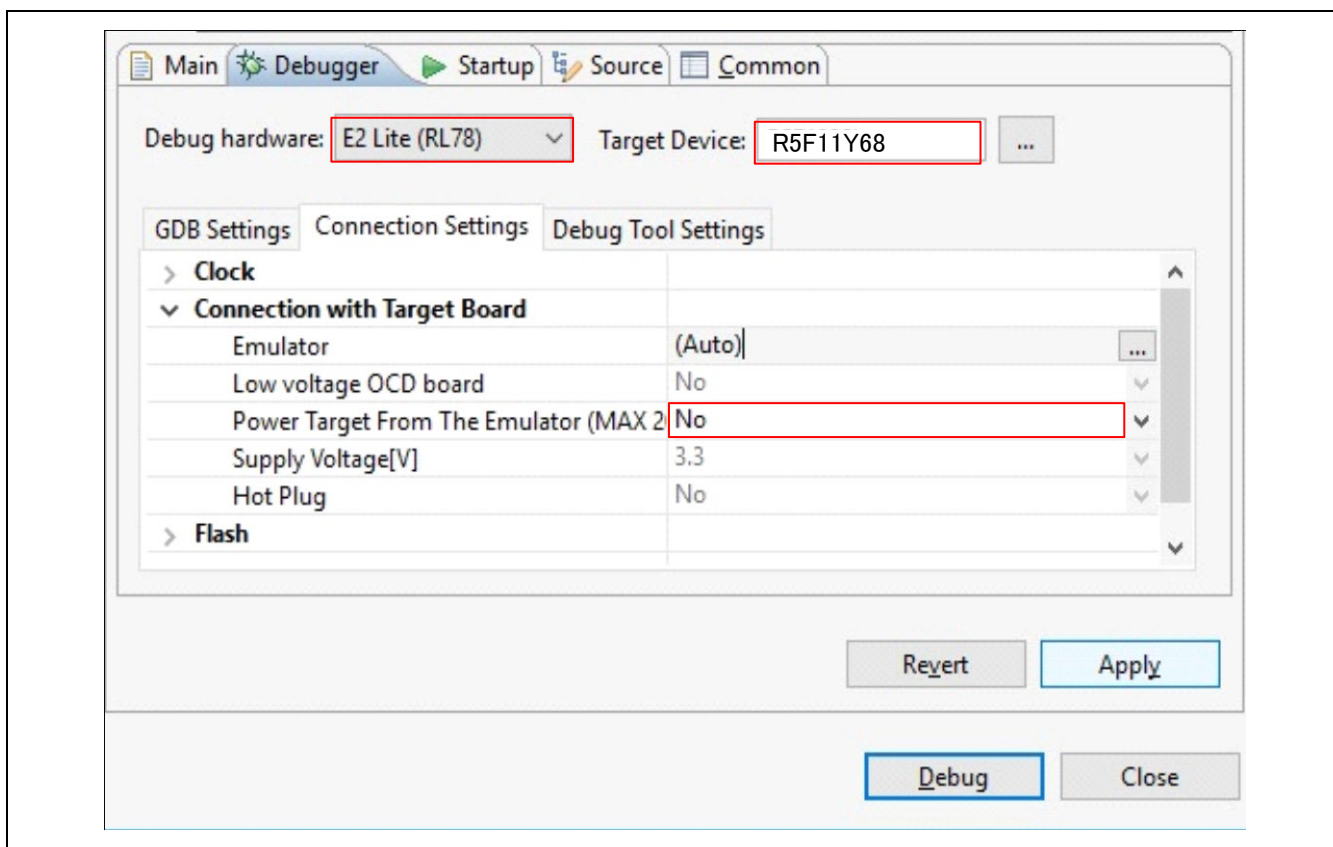


Figure 7-1 Settings of the e<sup>2</sup> studio

Note: Do not connect another RL78/G1N Fast Prototyping Board to your PC while this product is already connected.

## 7.2 Using CS+

Figure 7-2 and Figure 7-3 show the settings of CS+ when creating a new project for the RL78/G1N Fast Prototyping Board.

- [Using Debug Tool]:  
Select [RL78 E2 Lite] from [Using Debug Tool] in the [Debug] menu.

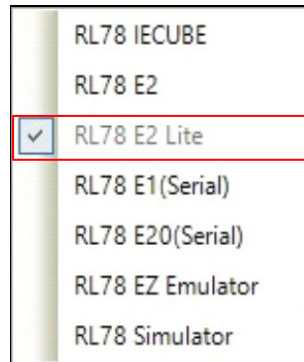


Figure 7-2 Panel for Selecting the Debug Tool

- [Power target from the emulator]: Select [No].

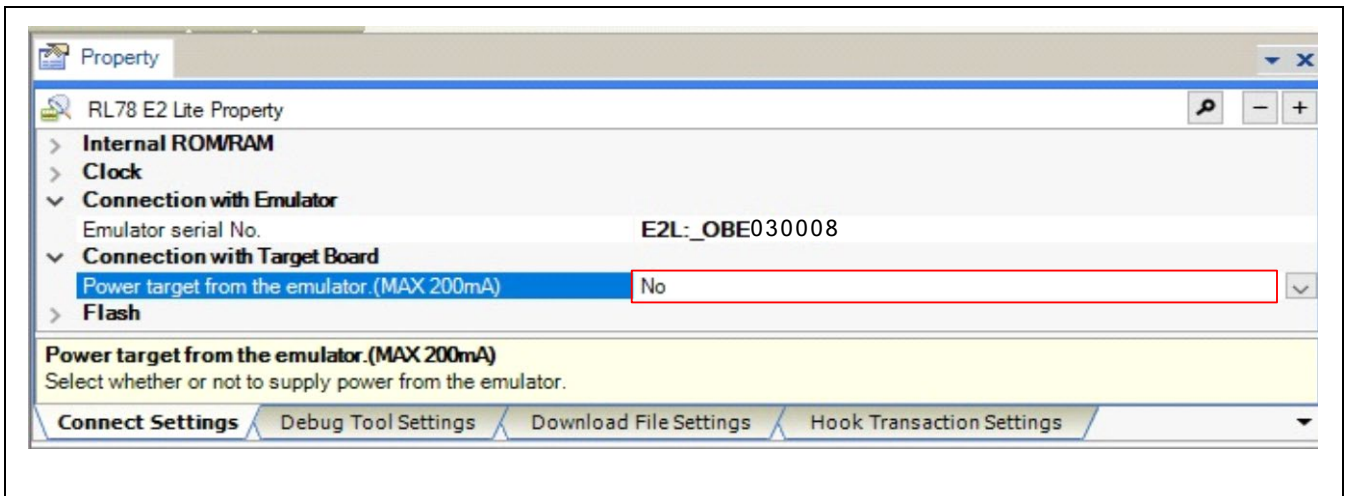


Figure 7-3 [Connect Settings] Tabbed Page of CS+

## 8. Additional Information

### Technical Support

For details on the usage of the IDE, refer to its help menu.

For details on the R78/G1N microcontrollers, refer to the RL78/G1N User's Manual: Hardware.

For details on the RL78 assembly language, refer to the RL78 Family User's Manual: Software.

### Technical Contact Details

America: [techsupport.america@renesas.com](mailto:techsupport.america@renesas.com)

Europe: <https://www.renesas.com/eu/en/support/contact.html>

Global & Japan: <https://www.renesas.com/support/contact.html>

General information on Renesas microcontrollers can be found on the Renesas website at:  
<https://www.renesas.com/>

### Note

Do not install the RL78/G1N Fast Prototyping Board or sample code into your product.

The operation of sample code is not guaranteed. Confirm the operation on your own responsibility.

### Trademarks

All brand or product names used in this manual are trademarks or registered trademarks of their respective companies or organisations.

### Copyright

This document may be, wholly or partially, subject to change without notice. All rights reserved. Duplication of this document, either in whole or part is prohibited without the written permission of Renesas Electronics Europe Limited.

© 2020 Renesas Electronics Corporation. All rights reserved.



Revision History	RL78/G1N Fast Prototyping Board User's Manual
------------------	---

Rev.	Date	Description	
		Page	Summary
1.00	Jun.16.20	—	First Edition issued

---

RL78/G1N Fast Prototyping Board User's Manual

Publication Date: Rev.1.00 Jun.16.20

Published by: Renesas Electronics Corporation

---

RL78/G1N