

RoHS
Compliant



Description

The product is an industrial single phase relay with SCR output is widely used in many industrial applications. The relay can be used for resistive, inductive or capacitive load. The control input voltage is 4-32V DC. The output current is rated at 60A @ 48-530V AC. The load voltage is 480 Volts.

Features

- Zero switching
- Ratings from 60A @ 48 - 530V AC
- SCR output
- DC input
- Superior thermal performance
- Dielectric strength 4000VACrms
- LED indication
- MOV protection circuit

Applications

Suitable for high-low temperature chamber, plastics machinery, incubation machine, oiling machine, HVAC, elevator lighting, fountain controller.

Technical Specification

Input Circuit

Control Voltage Range	: 4V DC to 32V DC
Min. Turn-On Voltage	: 4V DC
Min. Turn-Off Voltage	: 1V DC
Max. Input Current	: 25mA

Output Circuit

Load Voltage Range	: 48 ~ 280V AC
Max. Turn-On Time	
DC Input Zero-on	: 10ms
Max. Turn-off Time	: 10ms
Max. Surge Current (@10 ms) (60A)	: 860A
Max. I ² t For Fusing (@10ms) (60A)	: 3600A ² S
Transient Over Voltage	: 1200Vpk
Max. Off-State Leakage Current [@ Rated Voltage]	: 5mA
Max. On-State Voltage Drop [@ Rated Current]	: 1.6Vrms
Min. Off-State dv/dt[@Maximum Rated Voltage]	: 500V/μs

Newark.com/multicomp-pro
Farnell.com/multicomp-pro
Element14.com/multicomp-pro

Solid State Relay

multicomp PRO

General Information

Dielectric Strength Input/Output (50/60Hz)

Input/Output : $\cong 4000V_{rms}$

Input, Output/Base : $\cong 2500V_{rms}$

Ambient Operating Temperature Range : $-30^{\circ}C$ to $+80^{\circ}C$

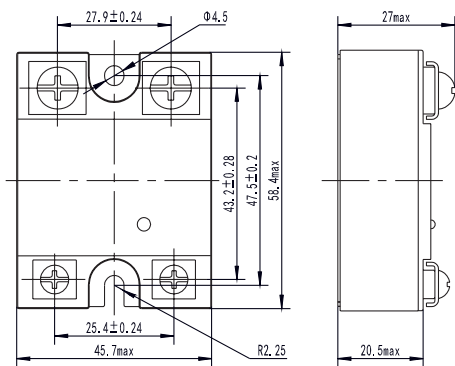
Ambient Storage Temperature Range : $-30^{\circ}C$ to $+100^{\circ}C$

Weight (Typical) : 96g*

Notes:

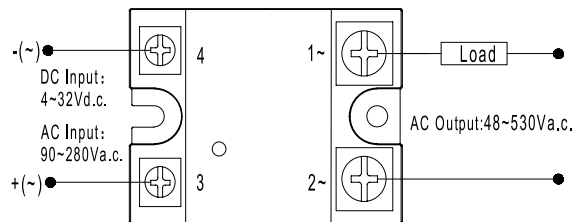
*For 100A, the weight is 150g

Diagram

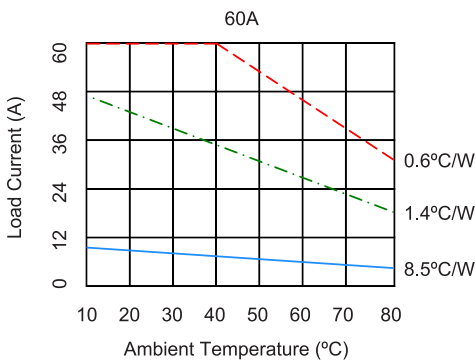


Dimensions : Millimetres

Connection



Thermal Curve



Part Number Table

Description	Part Number
SSR, Panel, 48-530V AC, 4-32V DC, 60A	MCKSI480D60-LM

Important Notice : This data sheet and its contents (the "Information") belong to the members of the AVNET group of companies (the "Group") or are licensed to it. No licence is granted for the use of it other than for information purposes in connection with the products to which it relates. No licence of any intellectual property rights is granted. The Information is subject to change without notice and replaces all data sheets previously supplied. The Information supplied is believed to be accurate but the Group assumes no responsibility for its accuracy or completeness, any error in or omission from it or for any use made of it. Users of this data sheet should check for themselves the Information and the suitability of the products for their purpose and not make any assumptions based on information included or omitted. Liability for loss or damage resulting from any reliance on the Information or use of it (including liability resulting from negligence or where the Group was aware of the possibility of such loss or damage arising) is excluded. This will not operate to limit or restrict the Group's liability for death or personal injury resulting from its negligence. Multicomp Pro is the registered trademark of Premier Farnell Limited 2019.

Newark.com/multicomp-pro
Farnell.com/multicomp-pro
Element14.com/multicomp-pro

multicomp PRO