

Labgear EM1001 Encoder Modulator & Combiner

Adds more channels to any TV system - now with HDMI loop through
The Labgear EM1001 converts the signal from an HDMI source into a digital format that can be distributed around a TV system over coax cable to all popular DTT receivers, PVR's and TVs.

- Combines the signal from the HDMI source with a TV aerial signal
- Preserves the High Definition quality of the original source up to 1080p @ 60Hz
- Allows set up of the new signal so that every TV receives it on the same remote control number
- The new channel can be given a name that is visible on screen when selected by any TV connected
- Gives a wider choice of HD channels for entertainment, information or security applications.



Signal sources

Most HD signal sources with resolutions up to and including 1080p that use an HDMI output can be converted and distributed via the EM1001 including: Blu-ray players, satellite receivers, terrestrial receivers and PVR's, cameras, PC's etc.

Modulator Section

DVB-T	
Standard	DVB-T COFDM
Contellation	64QAM
Bandwidth	8MHz
Carriers	8K
Guard Interval	1/32
Code Rate	7/8
MER	35dB
Frequency Range	50-860MHz select by Channel No.
Output Level	70-100dBuV step 1dBuV
Output Impedance	75Ω

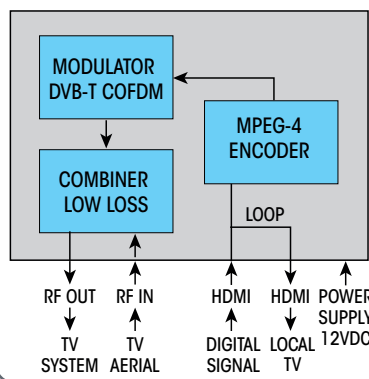
Encoding Section

HDMI Encoder				
Video	Compression	H.264 - bitrate 5-15Mb/s		
	Version	HDMI 1.4 (1.3 compatible)		
	Interface	HDMI		
		Input	Output	
	Resolution	1920x1080@60p 1920x1080@50p 1920x1080@60i 1920x1080@50i	1920x1080@60p 1920x1080@50p 1920x1080@60i 1920x1080@50i	
	Aspect Ratios	4:3 16:9		
	Bit Rate	5-15Mb/s		
Audio	Compression	AAC-LC/MPEG1-L2-bitrate 128-320 Kb/s		
	Sample Rate	32 kHz / 44.1 kHz / 48 kHz		
	Bit Rate	64/128/192/256/320 kbs		

General

Power Supply	12V DC 1.5A
Operating Temp.	0-50°C
Dimensions	180 x 128 x 48mm (including bracket)
Weight	0.58kg

FUNCTION FLOW CHART



HDMI Loop Through to Local Display



TYPICAL INSTALLATION

