

Class J Fuse Holder

M6J200Ax101

Replace "x" with 1 or 3 for number of poles



Wire Range

- Line/Load: 250 kcmil - #6 AWG CU

Electrical Ratings

- 110 - 200A Max
 - Amperage rating based on maximum fuse rating for that physical size
- 600 Volts AC
- Approved for 200,000 Amp Withstand Rating

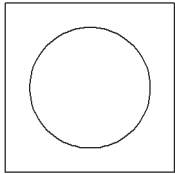
Agency Compliance

- UL Listed, Fuse holder standards UL 4248-1 and UL 4248-8
- UL File No. IZLT.E35113
- UL Feeder Circuit Compliant PerUL508A
- CSA File No. LR21455
- RoHS Compliant

Material Information

- Insulator base:
 - High Impact Thermoplastic
 - Flammability rating of insulator base UL94 V-0
 - Insulator base maximum temperature rating: 125°C (UL RTI)
 - Use outside these ratings needs to be judged in the end-use application
- Connector: Aluminum, tin plated
- Terminal set screws: Aluminum, tin plated
- 5/16" Belleville Washer: Steel, zinc plated
- Bolt: Steel, nickel plated
- Connector mounting screws: Steel, zinc plated

Termination Specifications

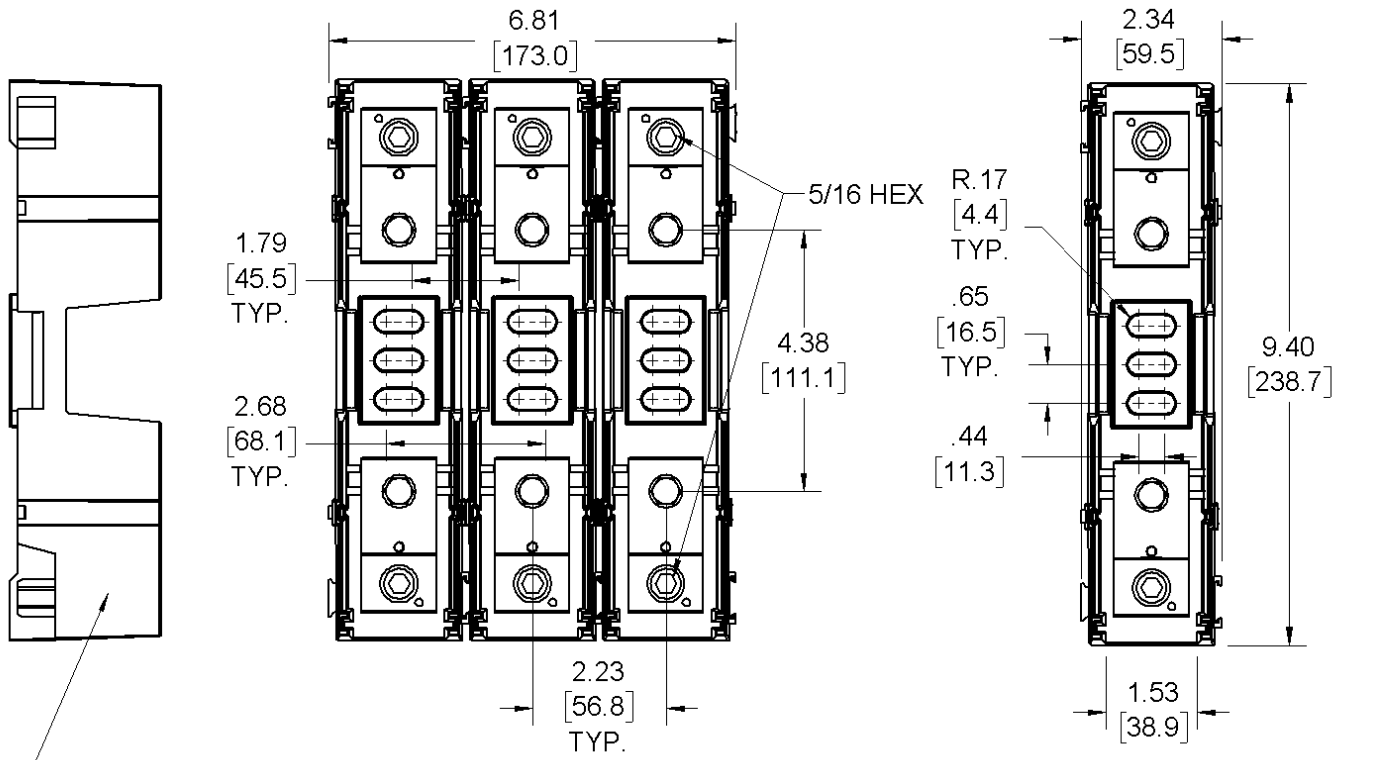
Line and Load Side	Wire Size (CU Stranded)	Torque	Wires/Terminal	Wire Class (UL)
	250 kcmil - #1	275 in·lbs	1	B, C
	#2 - #6	120 in·lbs	1	B,C

- Wire Strip length - 15/16"
- Hex key needed - 5/16"

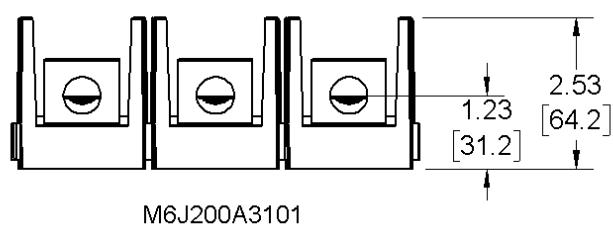
Installation & Accessories

- Mounting (Panel):
 - For use with 1/4" (M6) fastener,
 - Mounting torque to be determined in end use application. Not to exceed 25 lbf-in (2.8 N-M)
- Fuse Installation:
 - Fuses are to be mounted with the hardware supplied.
 - Fuse mounting torque not to exceed 70 lbf-in (7.9 N-M)
- Cover:
 - Snap on cover with translucent material
 - Catalog number: CJ6200M

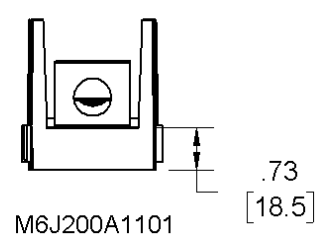
Drawing



PRODUCT INFORMATION PROVIDED ON SIDE OF FUSEHOLDER



M6J200A3101



M6J200A1101