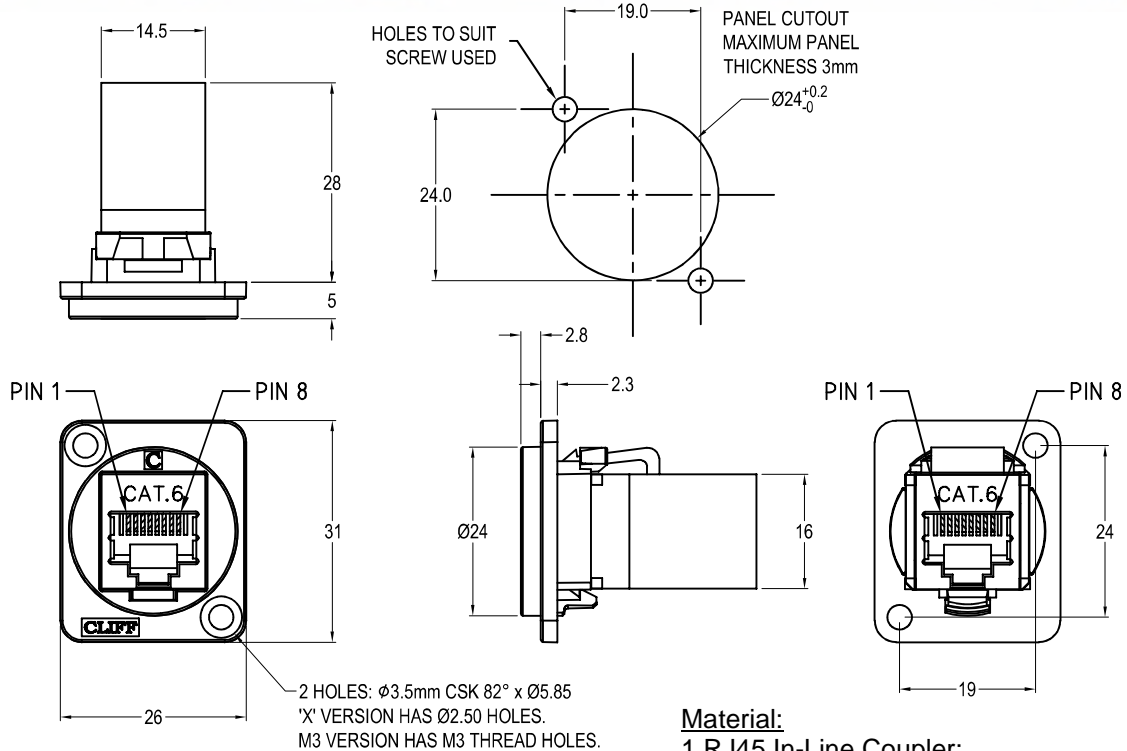


# CLIFF

## CAT.6 RJ45 SHIELDED FEEDTHROUGH CONNECTOR



### Feedthrough Features

- Fits standard XLR Ø24mm cutout.
- No soldering or punch termination. Use standard cable for each connector style.
- Front or rear mounted.
- Low rear profile

### General:

Please note: Functionality is affected by cable quality, length and cable wiring configuration.

Other models available:

### Part No.

<b>CP30222S</b>	Cat.6 RJ45 Shielded Black plastic frame, CSK holes
<b>CP30222SW</b>	Cat.6 RJ45 Shielded White plastic frame, CSK holes
<b>CP30222SM</b>	Cat.6 RJ45 Shielded Nickel plated metal frame, CSK holes
<b>CP30222SM3</b>	Cat.6 RJ45 Shielded Nickel plated metal frame, M3 holes
<b>CP30222SMB</b>	Cat.6 RJ45 Shielded Black metal frame, CSK holes
<b>CP30222SM3B</b>	Cat.6 RJ45 Shielded Black metal frame, M3 holes
<b>CP30222SX</b>	Cat.6 RJ45 Shielded Black plastic frame, PLAIN holes
<b>CP30222SXW</b>	Cat.6 RJ45 Shielded White plastic frame, PLAIN holes

### Material:

1. RJ45 In-Line Coupler: ABS, UL 94V-0, Black colour, Fully Shielded
2. RJ45 In-Line Coupler Contact: Phosphor Bronze, 3-50 micro inches gold plating over nickel plate.
3. PCB: FR4, UL 94V-0
4. Plastic Frame: Polyamide UL94 V-2
5. Metal Frame: Diecast, Black or Nickel plated

### Performance:

1. T568A & T568B wiring.
2. Meet ISO/IEC 11801 and EN50173
3. Meet ANSI/TIA/EIA 568B.2
4. Operating temperature: Min -10°C Max +70°C