

# TIME LED

## LED 591mm<sup>2</sup> FRAME LIGHT PANEL

### SPECIFICATIONS

PRODUCT CODE: 768976 and 768983

- Aluminium body and PC cover
- Supplied with driver.
- Compatible with TIME LED universal emergency modules.
- Even distribution of flicker free light.
- Easy installation, no mounting kit required.
- Simple recessed installation.
- Ultra slim 9mm design.
- Lightweight 330g.
- Maintenance free.

0.9

POWER FACTOR

40W

350W EQUIVALENT



3600 LUMENS

120°

BEAM ANGLE



NON-DIMMABLE



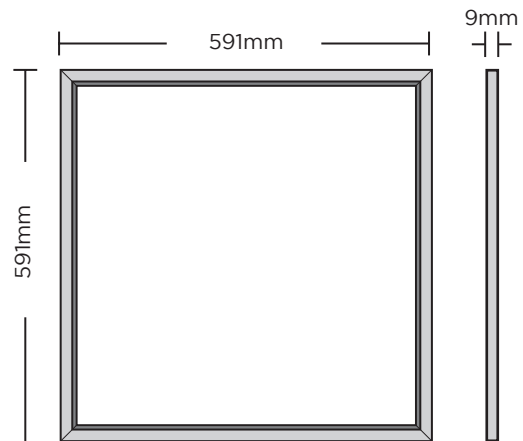
25,000 HOURS LIFESPAN



3 YEARS WARRANTY



ENERGY RATING



Description	Product Code	Watts	Kelvin	Colour
LED 40W Frame Light Panel 591mm <sup>2</sup>	768976	40W	4500	Cool White
LED 40W Frame Light Panel 591mm <sup>2</sup>	768983	40W	6000	Daylight



### SPECIFICATIONS

PRODUCT CODE: 761441

- No fixings required.
- Easy Connection.
- Powers emergency light for >3 hours.
- Suitable for Class II luminaires with integrated LEDs.
- Highlighted by green light for quick and easy identification.
- Battery: Samsung Li-ion KBAT2600

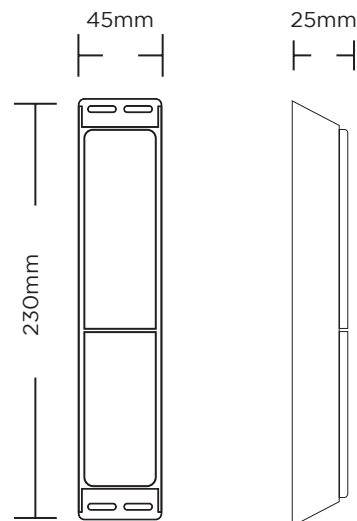


3 YEARS WARRANTY



ENERGY RATING

## UNIVERSAL EMERGENCY MODULE



Description	Product Code	Watts	Charge Time	Input Voltage	Input Current
Universal Emergency Module	761441	36W	12 Hours	220-240V	35mA

TIME LED is part of Pitacs Limited

Bradbourne Point, Bradbourne Drive, Tilbrook, Milton Keynes, Buckinghamshire MK7 8AT  
 T: +44 (0)1908 271155 F: +44 (0)1908 640017 E: info@timeled.co.uk W: www.timeled.co.uk

Subject to TIME LED Terms and Conditions, minimum quantities apply. Whilst stocks last, offer subject to be withdrawn without notice. E&OE. Please call for further details.



PROMO-TIME-LED-FRAME2019V1