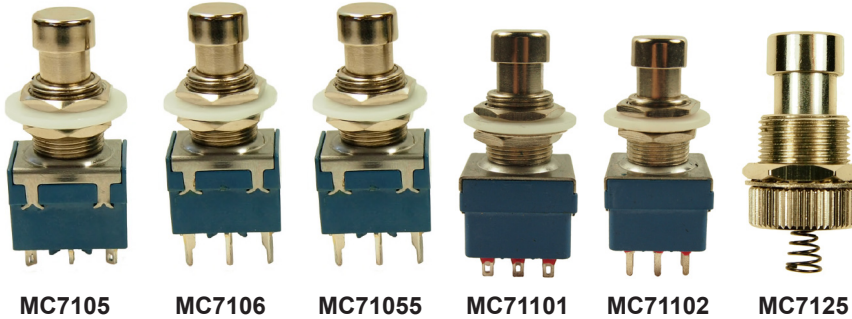


# Footpedal Switches

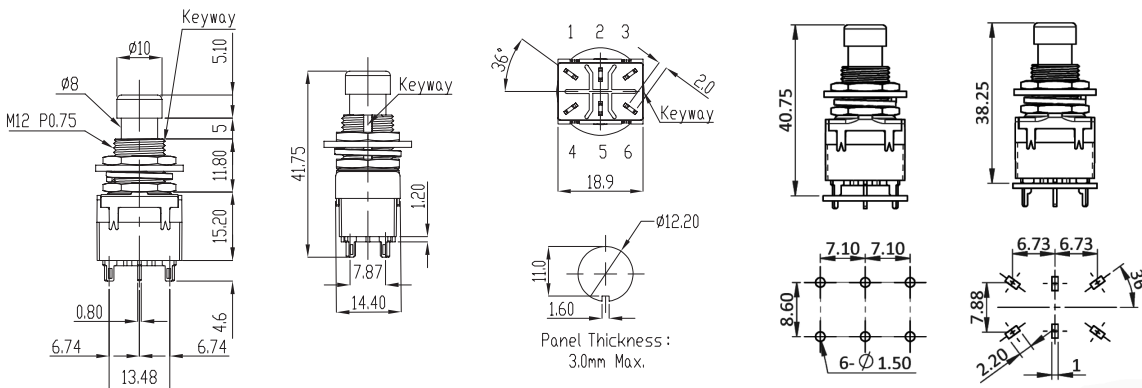


## Specifications

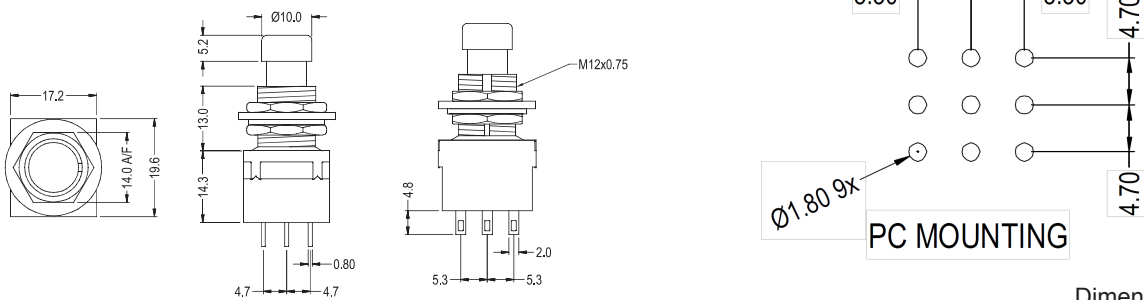
Contact Rating	: 4A at 125V AC, 2A at 250V AC
Contact Resistance	: 50mΩ max for MC7105, MC71055 and MC7106 20mΩ max for MC71101 and MC71102
Insulation Resistance	: 500V DC, 100MΩ min.
Dielectric Strength	: 1500V AC, 1 minute.
Operating Temperature	: -20°C to +65°C
Electrical Life	: 50,000 make/break cycles at full load for MC7105, MC71055 and MC7106 20,000 make/break cycles at full load for MC71101 and MC71102

## Diagram

### MC7105, MC71055 & MC7106



### MC71101 & MC71102



Dimensions : Millimetres

Newark.com/exclusive-brands  
Farnell.com/exclusive-brands  
Element14.com/exclusive-brands



# Footpedal Switches



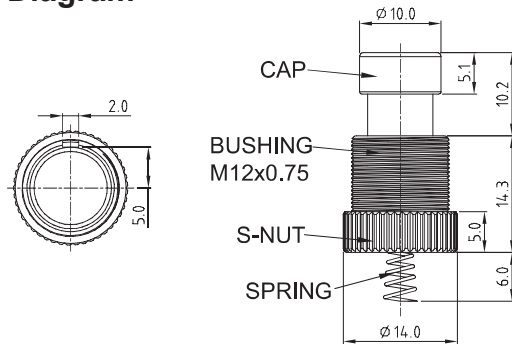
## Foot Switch Spring Actuator MC7125

### Specifications

Operating Force : 650 ±250gf  
 Life Cycles : 20,000 times

**Note:** Supplied with 1 nut and 1 washer

### Diagram



Dimensions : Millimetres

### Part Number Table

Description	Part Number
Footpedal Switch, DPDT, Momentary, Solder Tags	MC7105
Footpedal Switch, DPDT, On/Off, Solder Tags	MC71055
Footpedal Switch, DPDT, Momentary, PC Tags	MC7106
Footpedal Switch, 3PDT, On/Off, Solder Tags	MC71101
Footpedal Switch, 3PDT, On/Off, PC Tags	MC71102
Footpedal Switch Spring Actuator	MC7125

**Important Notice :** This data sheet and its contents (the "Information") belong to the members of the AVNET group of companies (the "Group") or are licensed to it. No licence is granted for the use of it other than for information purposes in connection with the products to which it relates. No licence of any intellectual property rights is granted. The Information is subject to change without notice and replaces all data sheets previously supplied. The Information supplied is believed to be accurate but the Group assumes no responsibility for its accuracy or completeness, any error in or omission from it or for any use made of it. Users of this data sheet should check for themselves the Information and the suitability of the products for their purpose and not make any assumptions based on information included or omitted. Liability for loss or damage resulting from any reliance on the Information or use of it (including liability resulting from negligence or where the Group was aware of the possibility of such loss or damage arising) is excluded. This will not operate to limit or restrict the Group's liability for death or personal injury resulting from its negligence. Multicomp is the registered trademark of Premier Farnell Limited 2019.

Newark.com/exclusive-brands  
 Farnell.com/exclusive-brands  
 Element14.com/exclusive-brands

