



Introduction

The analog gas sensor - MQ2 is used in gas leakage detecting equipments in consumer and industry markets, this sensor is suitable for detecting LPG, i-butane, propane, methane, alcohol, hydrogen, smoke. It has a high sensitivity and fast response time. And the sensitivity can be adjusted by the potentiometer.

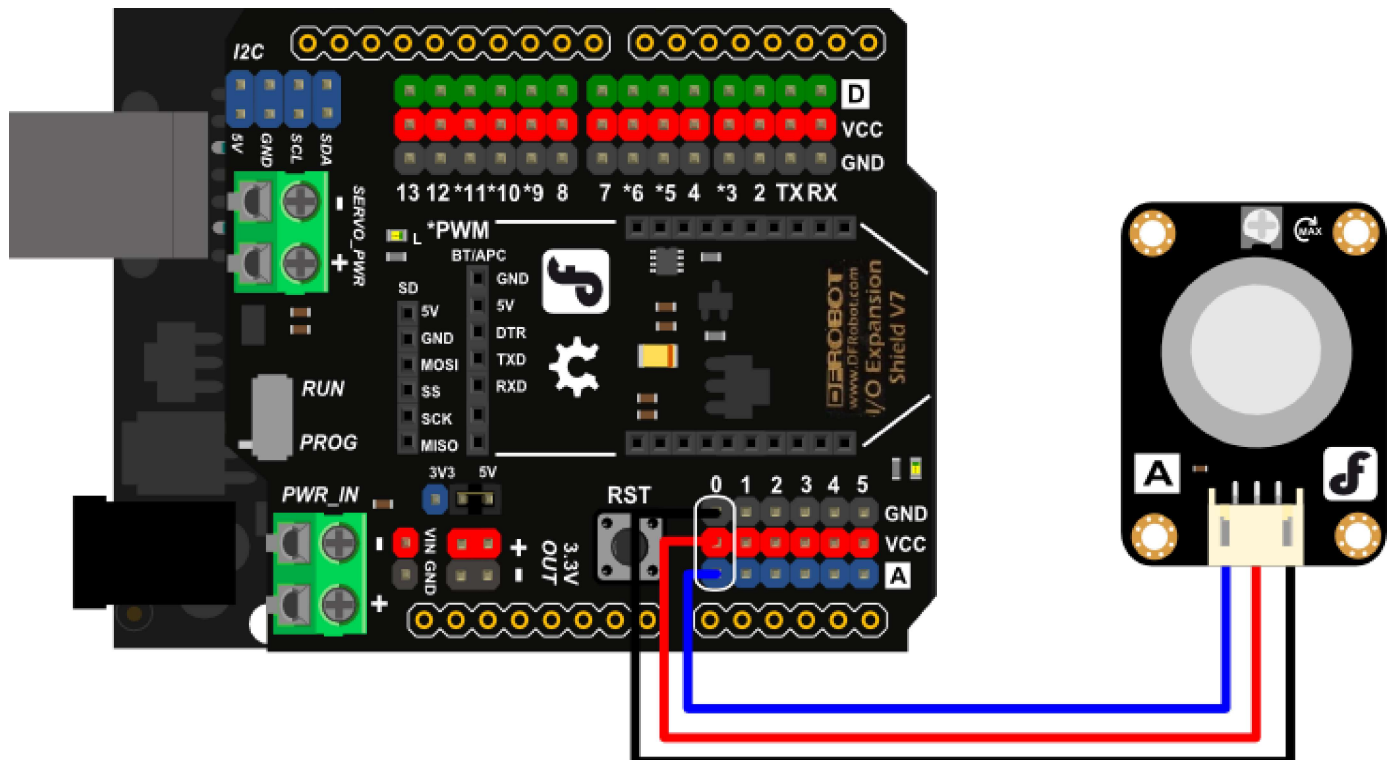
Specification

- Power supply needs: 5V
- Interface type: Analog
- Wide detecting scope

- Fast response and High sensitivity
- Simple drive circuit
- Stable and long life
- Size: 36.4x26.6mm

Tutorial

Connecting Diagram



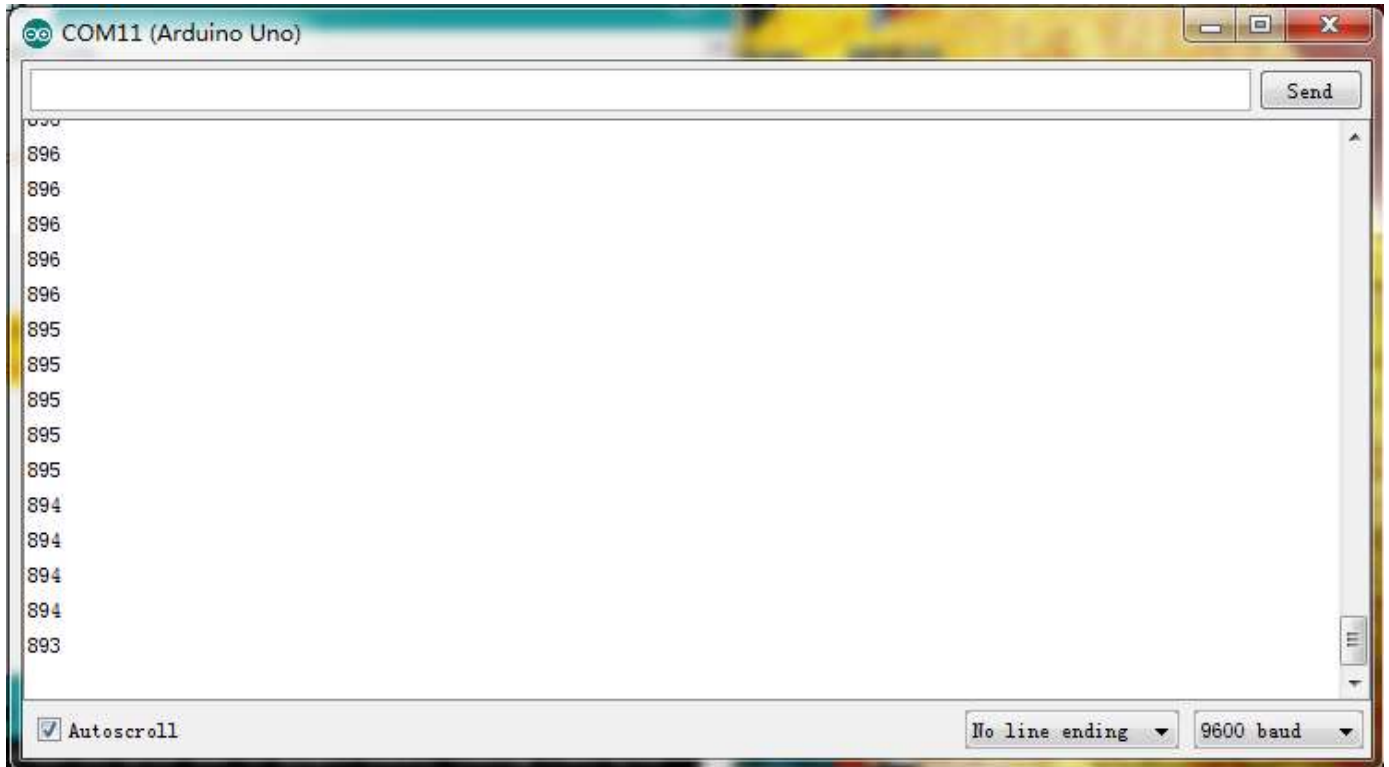
Sample Code

```

///Arduino Sample Code
void setup()
{
  Serial.begin(9600); //Set serial baud rate to 9600 bps
}
void loop()
{
  int val;
  val=analogRead(0); //Read Gas value from analog 0
  Serial.println(val,DEC); //Print the value to serial port
  delay(100);
}

```

Result




Trouble shooting

More question and cool idea, visit DFRobot Forum (<https://www.dfrobot.com/index.php?route=DFblog/blogs>).

More Documents

- Version history: Analog Gas Sensor(MQ2) V1
(https://www.dfrobot.com/wiki/index.php/Analog_Gas_Sensor_MQ2__SKU:SEN0127_)

 Get **Analog Gas Sensor(MQ2)** (<https://www.dfrobot.com/product-681.html#.UsUBdfSVNU0>) from DFRobot Store or **DFRobot Distributor**. (<https://www.dfrobot.com/index.php?route=information/distributorslogo>)

category: Product Manual (category__Product_Manual) category: SEN Series (category__SEN_Series) category: Sensor (category__Sensor) category: Diagram (category__Diagram) category: DFRobot (category__DFRobot)

Turn to the Top