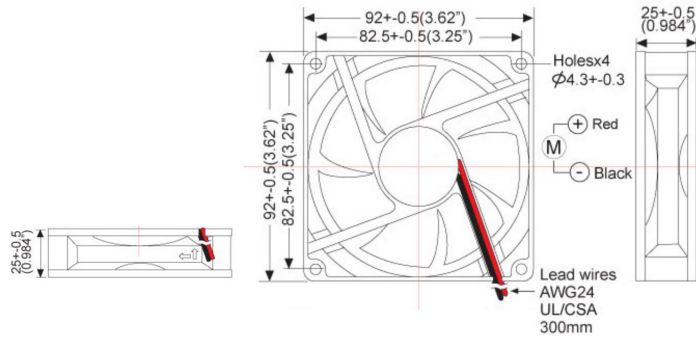


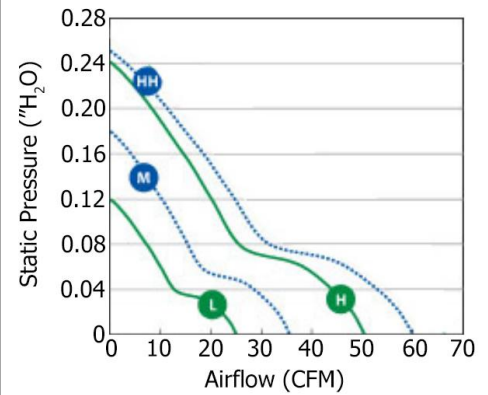
OD9225-IP68 Series



DC Fan, 12, 24, 48V
92x25mm (3.62"x1.0")



Frame	PBT, UL94 V-0 plastic	Operating Temperature -15°C ~ +65°C
Impeller	PBT, UL94 V-0 plastic	
Connection	2x Lead wires 24 AWG	Storage Temperature -25°C ~ +70°C
Motor	Brushless DC, Auto Restart, Polarity Protected, Electronically Protected, IP68	
Bearing System	Dual Ball Bearings	Life Expectancy 70,000 hours (L10 at 40°C)
Dielectric Strength	500VAC/min	
Insulation Resistance	10M ohm between leadwires and frame (500 VDC)	Available Options Tachometer Alarm PWM 5V Available
		Weight: 0.21 lbs
		m0



Part Number	Rated Voltage	Input Power	Rated Current	Rated Speed (RPM)	Airflow (CFM)	Noise Level (dB)	Max. Static Pressure
OD9225-12HHBIP68	12 VDC	3.0 W	0.29 A	3300	60	38	0.25\"/>
OD9225-12HBIP68	12 VDC	3.0 W	0.29 A	2900	50	35	0.24\"/>
OD9225-12MBIP68	12 VDC	2.1 W	0.20 A	2500	35	30	0.18\"/>
OD9225-12LBIP68	12 VDC	1.4 W	0.12 A	1800	25	23	0.12\"/>
OD9225-24HHBIP68	24 VDC	3.5 W	0.18 A	3300	60	38	0.25\"/>
OD9225-24HBIP68	24 VDC	3.5 W	0.18 A	2900	50	33	0.24\"/>
OD9225-24MBIP68	24 VDC	2.8 W	0.12 A	2500	35	30	0.18\"/>
OD9225-24LBIP68	24 VDC	2.4 W	0.10 A	1800	25	23	0.12\"/>
OD9225-48HHBIP68	48 VDC	4.3 W	0.09 A	3300	60	38	0.25\"/>
OD9225-48HBIP68	48 VDC	4.3 W	0.09 A	2900	50	32	0.24\"/>
OD9225-48MBIP68	48 VDC	2.4 W	0.05 A	2500	35	30	0.18\"/>
OD9225-48LBIP68	48 VDC	1.9 W	0.04 A	2100	32	27	0.15\"/>