

## OMNIMATE Power - Powerbus series DFFC 0.22-0.35 SN E

**Weidmüller Interface GmbH & Co. KG**  
Klingenbergstraße 26  
D-32758 Detmold  
Germany  
Fon: +49 5231 14-0  
Fax: +49 5231 14-292083  
www.weidmueller.com

### Product image



Similar to illustration

#### For a reliable contact - CB/CS crimp contact.

The combination of RSV housings and Weidmüller's crimp contacts enable custom adaptations to the specific requirements of your applications.

The following product options are available depending on the system:

- Safe centring of the contacts using the three-segment pin tips
- High contact reliability using four defined contact points
- Locking clasp in the cantilever spring for a secure mount of the contacts in the housing
- Pin contacts with two lengths to implement leading-pin contacts
- Up to 100 plugging cycles (tin version)
- Up to 500 plugging cycles (gold version)

The appropriate high-quality tools from Weidmüller guarantee professional processing.

#### General ordering data

|              |   |
|--------------|---|
| Type         | DFFC 0.22-0.35 SN E   |
| Order No.    | <a href="#">1604250000</a>  |
| Version      | PCB plug-in connector, Crimp contact, Contact, tinned, Max. clamping range : 0.35 mm <sup>2</sup> |
| GTIN (EAN)   | 4008190042905   |
| Qty.         | 250 pc(s).  |
| Product data |   |
| Packaging    | Box   |

**OMNIMATE Power - Powerbus series  
DFFC 0.22-0.35 SN E**

**Weidmüller Interface GmbH & Co. KG**  
 Klingenbergstraße 26  
 D-32758 Detmold  
 Germany  
 Fon: +49 5231 14-0  
 Fax: +49 5231 14-292083  
 www.weidmueller.com

**Technical data**
**Dimensions and weights**

Net weight 0.3 g

**Material data**

|                                       |              |                                       |        |
|---------------------------------------|--------------|---------------------------------------|--------|
| Contact material                      | Copper alloy | Contact surface                       | tinned |
| Storage temperature, min.             | -40 °C       | Storage temperature, max.             | 70 °C  |
| Operating temperature, min.           | -50 °C       | Operating temperature, max.           | 100 °C |
| Temperature range, installation, min. | -25 °C       | Temperature range, installation, max. | 100 °C |

**Conductors suitable for connection**

|   |                      |   |                      |
|---|----------------------|---|----------------------|
| Clamping range, min.                    | 0.22 mm <sup>2</sup> | Clamping range, max.                    | 0.35 mm <sup>2</sup> |
| Wire connection cross section AWG, min. | AWG 24               | Wire connection cross section AWG, max. | AWG 22               |
| Max. clamping range                     | 0.35 mm <sup>2</sup> |   |                      |

**Rated data acc. to IEC**

tested acc. to standard IEC 60664-1, IEC 61984 Short-time withstand current resistance 3 x 1s with 120 A

**Packing**

|           |       |            |       |
|-----------|-------|------------|-------|
| Packaging | Box   | VPE length | 40 mm |
| VPE width | 70 mm | VPE height | 90 mm |

**Classifications**

|             |             |            |             |
|-------------|-------------|------------|-------------|
| ETIM 6.0    | EC000796    | ETIM 7.0   | EC000796    |
| eClass 9.0  | 27-44-02-04 | eClass 9.1 | 27-44-02-04 |
| eClass 10.0 | 27-44-02-04 | UNSPSC     | 30-21-18-01 |

**Notes**

Notes • Long term storage of the product with average temperature of 50 °C and average humidity 70%, 36 months  
 IPC conformity Conformity: The products are developed, manufactured and delivered according international recognized standards and norms and comply with the assured properties in the data sheet resp. fulfill decorative properties in accordance with IPC-A-610 "Class 2". Further claims on the products can be evaluated on request.

**Approvals**

Approvals



ROHS Conform

**Data sheet****OMNIMATE Power - Powerbus series  
DFFC 0.22-0.35 SN E**

**Weidmüller Interface GmbH & Co. KG**  
Klingenbergstraße 26  
D-32758 Detmold  
Germany  
Fon: +49 5231 14-0  
Fax: +49 5231 14-292083  
www.weidmueller.com

**Technical data****Downloads**

Approval/Certificate/Document of  
Conformity

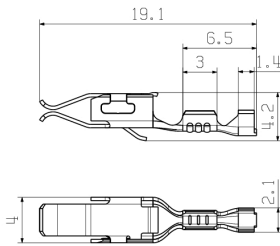
[Declaration of the Manufacturer](#)

Brochure/Catalogue

[FL DRIVES EN](#)  
[MB DEVICE MANUF. EN](#)  
[FL DRIVES DE](#)  
[CAT 2 PORTFOLIOGUIDE EN](#)  
[FL BUILDING SAFETY EN](#)  
[FL APPL LED LIGHTING EN](#)  
[FL INDUSTR.CONTROLS EN](#)  
[FL MACHINE SAFETY EN](#)  
[FL HEATING ELECTR EN](#)  
[FL APPL INVERTER EN](#)  
[FL BASE STATION EN](#)  
[FL ELEVATOR EN](#)  
[FL POWER SUPPLY EN](#)  
[FL 72H SAMPLE SER EN](#)  
[PO OMNIMATE EN](#)

**OMNIMATE Power - Powerbus series  
DFFC 0.22-0.35 SN E**

**Weidmüller Interface GmbH & Co. KG**  
Klingenbergstraße 26  
D-32758 Detmold  
Germany  
Fon: +49 5231 14-0  
Fax: +49 5231 14-292083  
[www.weidmueller.com](http://www.weidmueller.com)

**Drawings****Dimensional drawing**

## OMNIMATE Power - Powerbus series DFFC 0.22-0.35 SN E

**Weidmüller Interface GmbH & Co. KG**  
 Klingenbergstraße 26  
 D-32758 Detmold  
 Germany  
 Fon: +49 5231 14-0  
 Fax: +49 5231 14-292083  
 www.weidmueller.com

# Accessories

## Auxiliary tools



### More intelligent. More efficient. Quicker.

Auxiliary tools simplify the process of connecting and configuring the connection components:

- Assembly blocks for socket connectors with IDC contacts (type BL-IDC) can be used in machines such as toggle lever presses. All conductors are connected at the same time.
- Unlocking and dismantling tools release the crimp contacts in crimped plug-in connectors (type BLC & BLAC)
- Operating levers open individual clamping points on plug-in tension clamp connectors

For better, more rapid working progress  
 The result: efficient, professional working progress.

### General ordering data

| Type       | DFFC EW2                   | Version  | Product data | Packaging |
|------------|----------------------------|--|--------------|-----------|
| Order No.  | <a href="#">1803790000</a> | PCB plug-in connector, Accessories, Release tool, black, Number of |              | Box       |
| GTIN (EAN) | 4032248259311              | poles: 1   |              |           |
| Qty.       | 10 pc(s).                  |  |              |           |

## ... for Weidmüller DFF and ZRV contacts



### Crimping tools for Weidmüller DFF and ZRV contacts

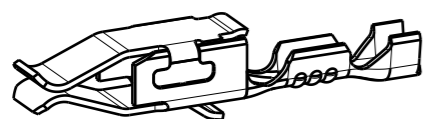
- Ratchet guarantees precise crimping
- Release option in the event of incorrect operation
- With stop for exact positioning of the contacts.

### General ordering data

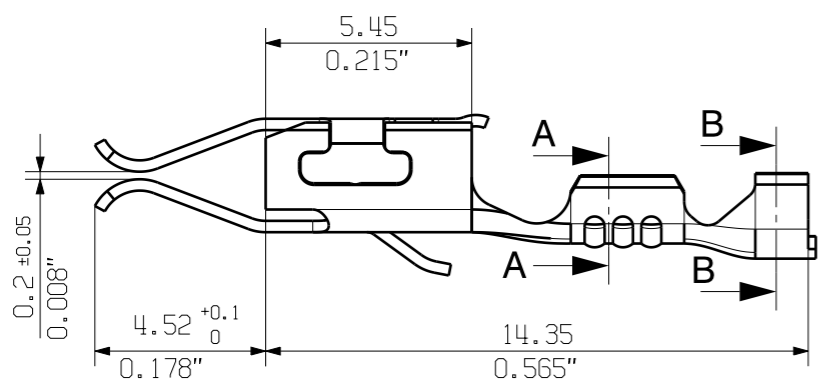
| Type       | HTF DFF                    | Version   |
|------------|----------------------------|---|
| Order No.  | <a href="#">9014140000</a> | Pressing tool, Crimping tool for contacts, 0.22mm <sup>2</sup> , 2.5mm <sup>2</sup> , |
| GTIN (EAN) | 4008190297305              | FoderBcrimp   |
| Qty.       | 1 pc(s).                   |   |

allgemeingültige Kundenzeichnung, aktueller Stand nur auf Anfrage  
 general customer drawing, topical version only if required

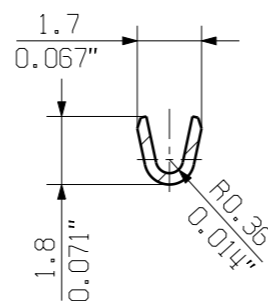
M 5/1



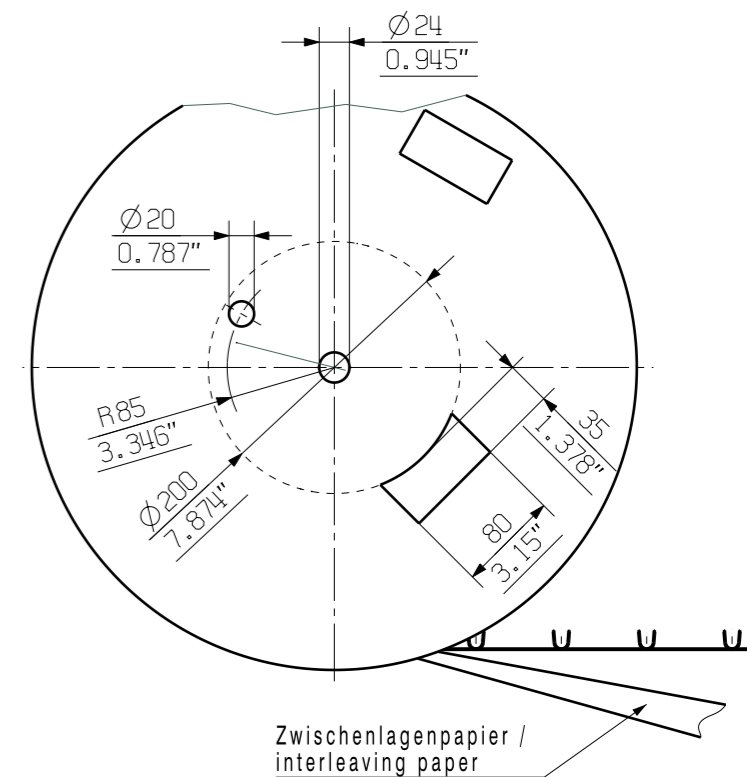
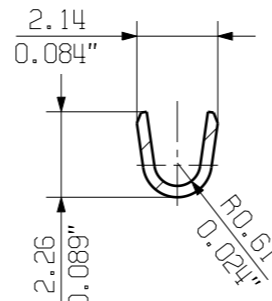
DFFC 0.22-0.35mm<sup>2</sup>



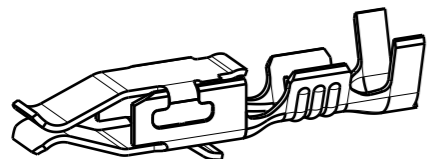
A-A



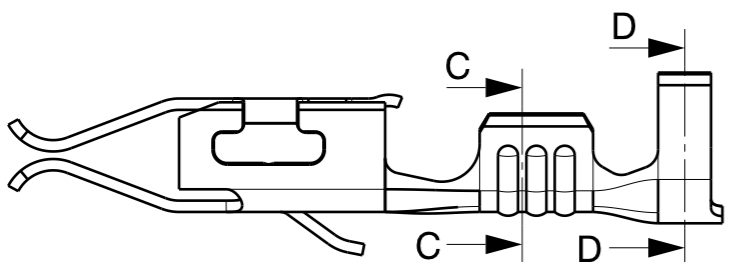
B-B



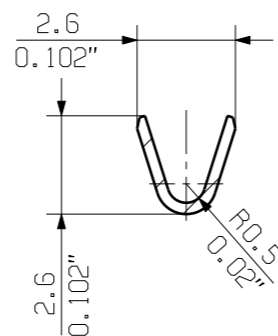
M 5/1



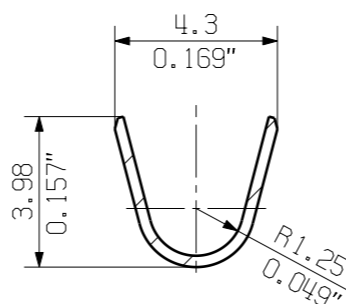
DFFC 0.5-1.0mm<sup>2</sup>



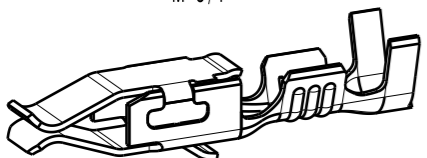
C-C



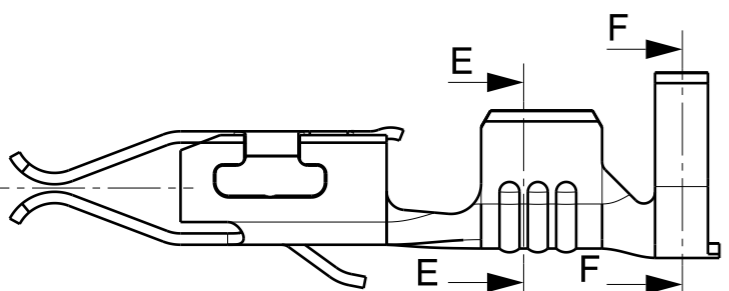
D-D



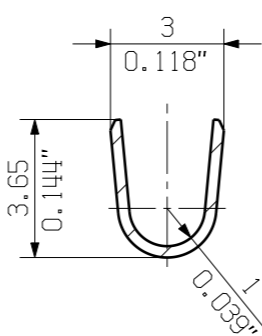
M 5/1



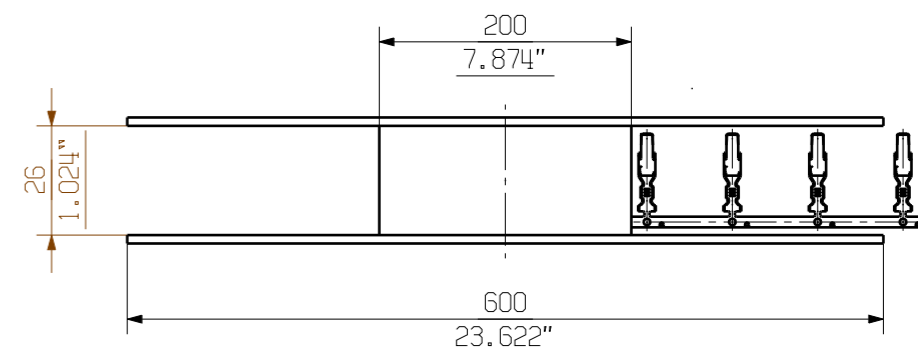
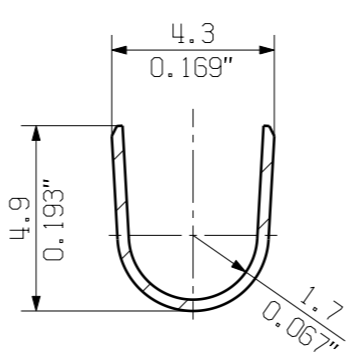
DFFC 1.50-2.50mm<sup>2</sup>



E-E



F-F



For the mounting of PCBs, it should be noted that the rated data given in the catalogue relates only to the connection elements. The necessary creepage and clearance paths must be observed in connection with the respective applicant in accordance to VDE 0110. The current-carrying capacity and pitch tolerance is to be determined according to DIN IEC 326 part 3 very fine.

Weidmüller connectors are tested to the DIN VDE 0627 standard, and are valid for its field of application. Provided that the connectors are used to the intended purpose, all requirements with respect to the occurring of electrical, mechanical, thermic and corrosive stress will be satisfied.

|                                  |                              |   |                            |
|----------------------------------|------------------------------|---|----------------------------|
| 1604260000                       | 1604240000                   | 0.22mm <sup>2</sup> -0.35mm <sup>2</sup>          | Au0.8, Ni1-2 u. Sn4±1      |
| 1604250000                       | 1604230000                   |   | Sn 4-8                     |
| 1625530000                       | 1625520000                   | 0.50mm <sup>2</sup> -1.00mm <sup>2</sup>          | Ag4±1 u. Sn4±1             |
| 1567080000                       | 1540100000                   |   | Au0.8, Ni1-2 u. Sn4±1      |
| 1567060000                       | 1480000000                   |   | Sn 4-8                     |
| 1625510000                       | 1625500000                   | 1.50mm <sup>2</sup> -2.50mm <sup>2</sup>          | Ag4±1 u. Sn4±1             |
| 1567090000                       | 1540200000                   |   | Au0.8, Ni1-2 u. Sn4±1      |
| 1567070000                       | 1480100000                   |   | Sn 4-8                     |
| Einzelkontakt/<br>separate cont. | Bandware /<br>cont. on strip | Leiterquerschnitt /<br>conductor<br>cross-section | Oberfläche<br>finish&surf. |
| Bestell-Nr. / cat.no.            |                              |   |                            |

**GENERAL TOLERANCE:**  
DIN ISO 2768-m

88771/5  
23.06.16 HELIS\_MA 00

**Weidmüller**

**3 32368 11**

Drawing no. 3 32368 Issue no. 11  
 Sheet 05 of 05 sheets

**DFFC**  
CRIMPKONTAKT  
CRIMP CONTACT

Scale: 10/1  
Supersedes: .

Date: 30.03.2007  
Name: HERTEL\_S

Date: 26.07.2016  
Name: HELIS\_MA

Date: LANG\_T

Product file: DFFC

7169