


SCHROFF

SCHROFF

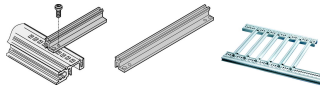
Guide rail accessories for heavy PCBs, extra strong

Catalog Number: 34562-882

- Mounting, for bolting to type H (heavy) horizontal rails only
- For especially heavy PCBs, plug-in units or frame type plug-in units
- Aluminium profile for 2 mm groove width



Other Views



Description

Product family:

- EuropacPRO
- CompacPRO
- PropacPRO
- RatiopacPRO

Note:

- Please order keying/coding block and keying/coding pegs separately
- Delivery is exclusively in standard pack quantity

Type:

Individual Components

Individual Component Type:

Guide Rails & Accessories

Standard pack quantity (SPQ):

Please take into consideration that deliveries may be carried out in the stated SPQs (SPQ, e.g. 5 pieces, 10 pieces, 50 pieces, etc.). Differing order quantities (e.g. 2 pieces) may be changed to the next possible delivery quantity = Standard Pack Quantity.

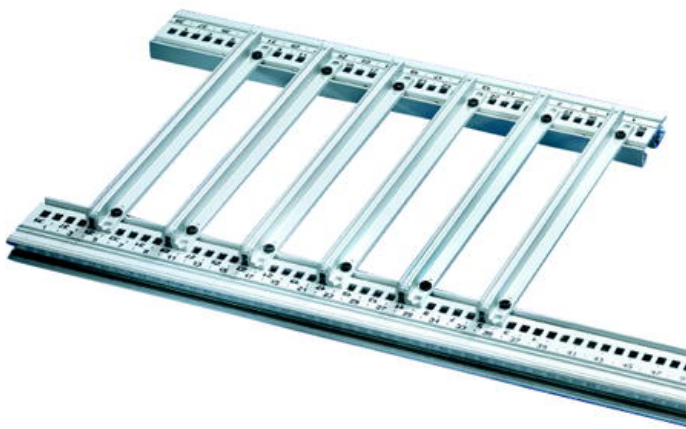
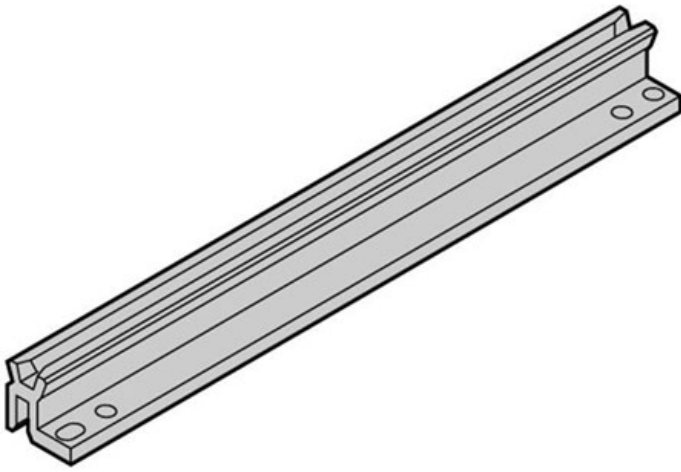
Description:

robust version

We use cookies to personalize content and ads, to provide social media features and to analyze our traffic. We also share information about your use of our site with our social media, advertising and analytics partners. [Cookie Policy](#).

> [Cookie Settings](#)

✓ [Accept Cookies](#)



We use cookies to personalize content and ads, to provide social media features and to analyze our traffic. We also share information about your use of our site with our social media, advertising and analytics partners. [Cookie Policy](#).

> [Cookie Settings](#)

✓ [Accept Cookies](#)

Technical Data

Catalog Number	34562-882
Color	silver
Board length [mm]	220.0
Groove width	2.0

We use cookies to personalize content and ads, to provide social media features and to analyze our traffic. We also share information about your use of our site with our social media, advertising and analytics partners. [Cookie Policy](#).

> [Cookie Settings](#)

✓ [Accept Cookies](#)

Documents



Main Catalog - RatiopacPRO



Main Catalog - PropacPRO



Main Catalog - CompacPRO



Main Catalog - EuropacPRO



Main Catalog - EuropacPRO rugged

Links



Native CAD files

We use cookies to personalize content and ads, to provide social media features and to analyze our traffic. We also share information about your use of our site with our social media, advertising and analytics partners. [Cookie Policy](#).

> [Cookie Settings](#)

✓ [Accept Cookies](#)

Accessories

Item		
	Countersunk screw, Torx (2.5x7.3), self-tapping, steel zinc plated, PU 100 pcs	24560-157

We use cookies to personalize content and ads, to provide social media features and to analyze our traffic. We also share information about your use of our site with our social media, advertising and analytics partners. [Cookie Policy](#)

[> Cookie Settings](#)

[Accept Cookies](#)