

SCHROFF

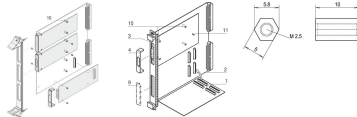
SCHROFF

Spacer to mount PMC and FMC mezzanine boards

Catalog Number: 60897-278

- To provide a standoff between mezzanine boards per the IEEE P1386 or VITA 57.1 specification and the carrier card

Other Views



Description

Product family:

Front Panels

Specification:

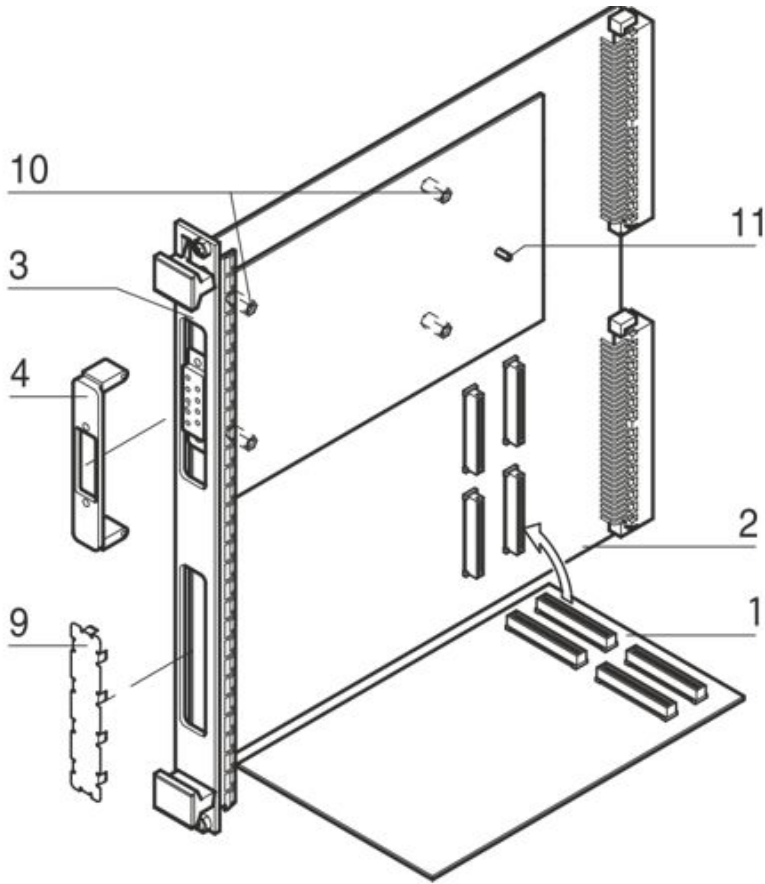
- FMC Mezzanine, Vita 57.1
- PMC Mezzanine, IEEE P1386

Standard pack quantity (SPQ):

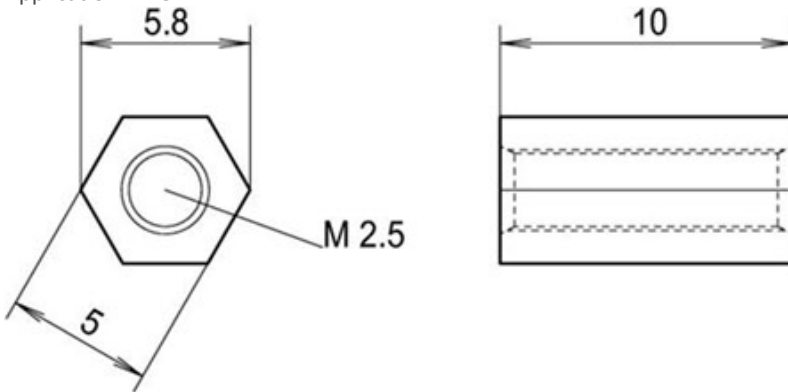
Please take into consideration that deliveries may be carried out in the stated SPQs (SPQ, e.g. 5 pieces, 10 pieces, 50 pieces, etc.). Differing order quantities (e.g. 2 pieces) may be changed to the next possible delivery quantity = Standard Pack Quantity.

Delivery Comprises:

Item	Quantity	Description
10	1	Spacer, St, zinc-plated



Application PMC



Technical Data

Catalog Number	60897-278
Material	St, zinc-plated
Function	For PMC mezzanine applications

Documents



Main Catalog - Front panels

Links



Native CAD files

No accessories available.