


SCHROFF

SCHROFF

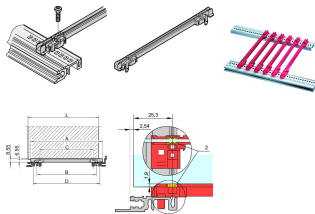
Guide rail, 220 mm deep

Catalog Number: 64560-002

- Can be clipped into 1.5 mm thick plate
- Plastic guide rail, one piece, red
- Storage temperature: from -40 °C ... 130 °C
- Assembly
- Can be clipped into horizontal rails in Al extrusion
- For 2 mm groove width



Other Views



Description

Product family:

EuropacPRO

Type:

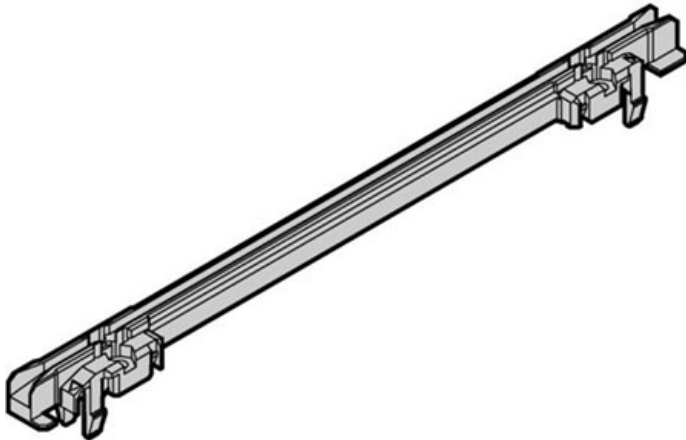
Individual Components

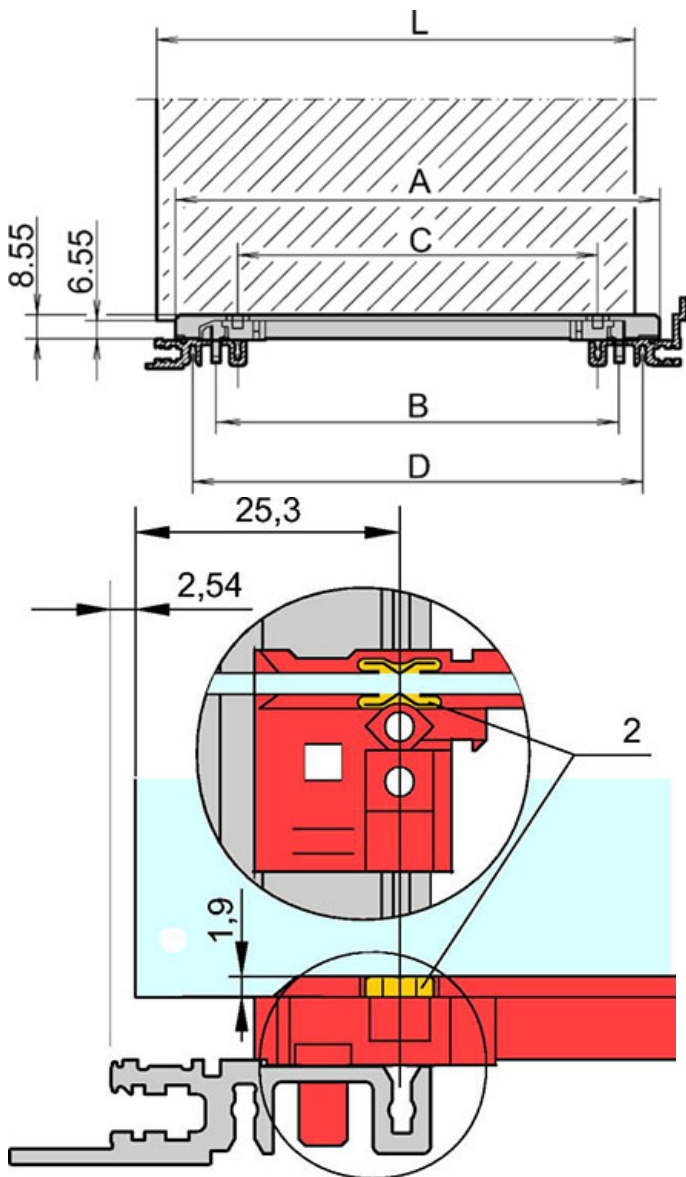
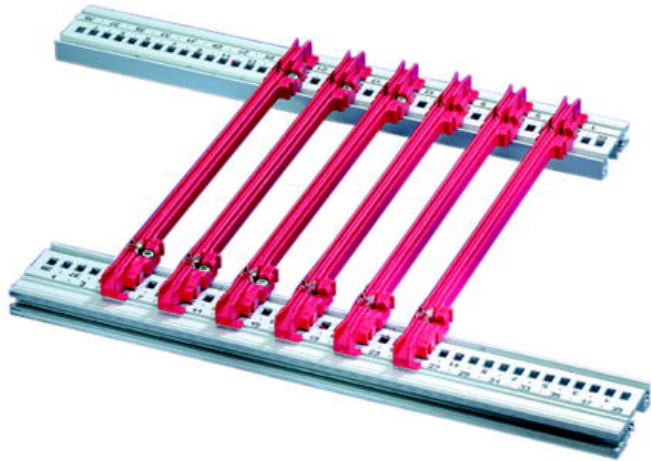
Individual Component Type:

Guide Rails & Accessories

Standard pack quantity (SPQ):

Please take into consideration that deliveries may be carried out in the stated SPQs (SPQ, e.g. 5 pieces, 10 pieces, 50 pieces, etc.). Differing order quantities (e.g. 2 pieces) may be changed to the next possible delivery quantity = Standard Pack Quantity.





Optionally with ESD clip

Technical Data

Catalog Number	64560-002
Length mm	220.0
Color	red
Groove width	2.0
Material	PBT, UL 94 V-0

Documents



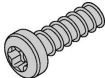
Main Catalog - EuropacPRO

Links



Native CAD files

Accessories

Item		
	Panhead screw, Torx (2.5x9.3), self-tapping, steel zinc plated, PU 100 pcs	24560-141
