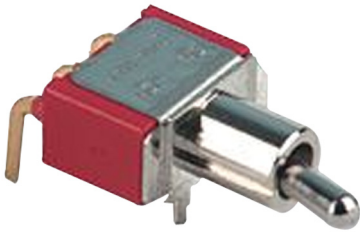


Toggle Switch

multicomp PRO



Features:

- Mounting bracket solders directly to PCB
- Plain bush for easy front panel removal
- Process sealed to withstand machine soldering and pressure wash cleaning

Specifications:

Contact Configuration	: SPDT
Switch Operation	: On-On
Contact Voltage	: 20V
Contact Current Max.	: 100mA
Switch Terminals	: Through Hole
Actuator Style	: Bat
Switch Mounting	: PCB
Contact Material	: Gold
No. of Poles	: 1
Operating Temperature	: -30°C to +85°C
Electrical Life	: 30,000 make-and-break cycles at full load
Contact Resistance	: 10mΩ Max. initial at 2V to 4V DC 100mA
Insulation Resistance	: 1,000MΩ Min.
Dielectric Strength	: 1,000V RMS at sea level

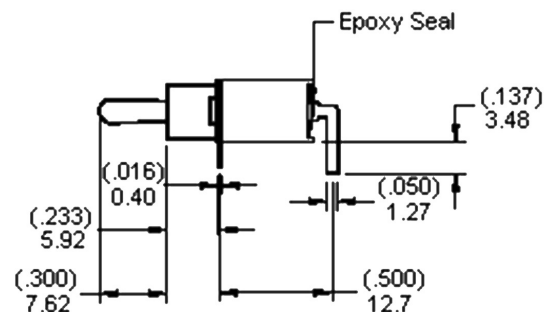
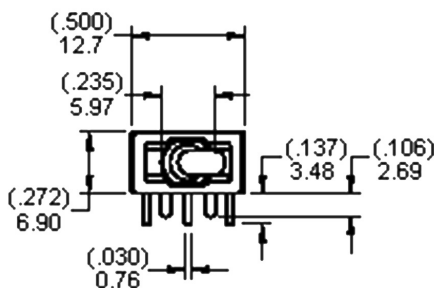
Materials:

Case Bushing	: Glass filled nylon 66, heat stabilized
Actuator	: Brass, chrome plated with internal, O-ring seal standard
Switch Support	: Brass or steel, tin plated
Contact/Terminal	: Copper alloy, gold plated
Switch Support Retainer	: Stainless steel

Rating:

R : 0.4 Volt-Amp (VA) Max. at 20V Max. (AC or DC)

Miniature



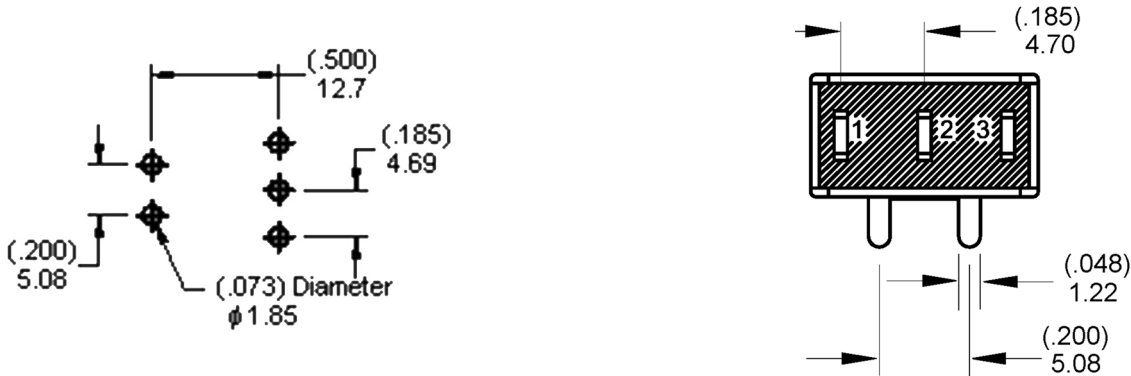
Dimensions : Millimetres (Inches)

Newark.com/multicomp-pro
Farnell.com/multicomp-pro
Element14.com/multicomp-pro

multicomp PRO

Toggle Switch

Miniature



Dimensions : Millimetres (Inches)

Switch Function

	Position 1	Position 2	Position 3
Terminal Common	2-3		2-1
SCHEMATIC		OPEN	

Part Number Table

Description	Type	Lever Length	Part Number
Switch, PCB, SPDT, Horiz	SPDT On-On	6.46mm	1AS1T2B4M6RE
	SPDT On-Off-Mom		1AS3T2B4M6RE
	SPDT On-Mom		1AS2T2B4M6RE

Important Notice : This data sheet and its contents (the "Information") belong to the members of the AVNET group of companies (the "Group") or are licensed to it. No licence is granted for the use of it other than for information purposes in connection with the products to which it relates. No licence of any intellectual property rights is granted. The Information is subject to change without notice and replaces all data sheets previously supplied. The Information supplied is believed to be accurate but the Group assumes no responsibility for its accuracy or completeness, any error in or omission from it or for any use made of it. Users of this data sheet should check for themselves the Information and the suitability of the products for their purpose and not make any assumptions based on information included or omitted. Liability for loss or damage resulting from any reliance on the Information or use of it (including liability resulting from negligence or where the Group was aware of the possibility of such loss or damage arising) is excluded. This will not operate to limit or restrict the Group's liability for death or personal injury resulting from its negligence. Multicomp Pro is the registered trademark of Premier Farnell Limited 2019.