

Sealed Sub-Miniature Pushbutton Switch

multicomp PRO

**RoHS
Compliant**



Specifications:

Contact Rating	: 0.4 Volt - Amps (VA) max. @ 20V max. (AC or DC)
Mechanical Life	: 50,000 make-and-break cycles
Contact Resistance	: 20mΩ max. initial @ 2-4V DC 100mA for both silver and gold plated contacts
Insulation Resistance	: 1,000MΩ min.
Dielectric Strength	: 1,000Vrms min.@sea level
Operating Temperature	: -30°C to 85°C

Materials

Case & Bushing	: Glass filled nylon 6/6, flame retardand, heat stabilized
Plunger	: Thermoplastic Polyester, with internal O-ring seal
Switch Support	: Brass or steel electrotin plated
Contact	: Copper alloy,with gold plated

Switch Function

No. Poles	Model No.	Switch Function		Connected Terminals / Schematic	
		Pos. 1	Pos. 2	Pos. 1	Pos. 2
SP	MC8AS9	Off	Momentary	Open	1-3

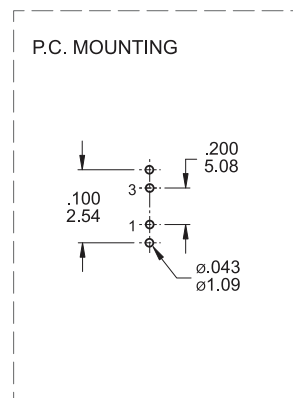
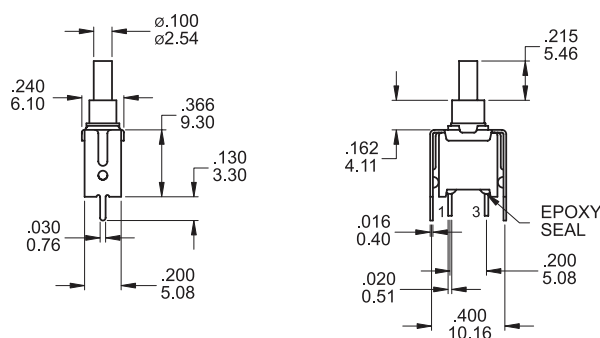
Pole Options

VS2



SPST

Part No. Shown : MC8AS9P1A1VS2RES



Dimensions : Inches (Millimetres)

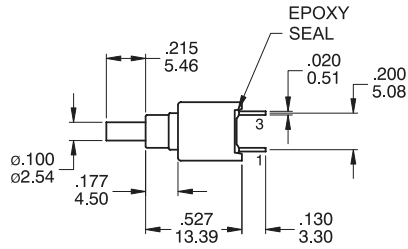
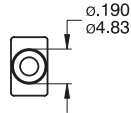
Newark.com/multicomp-pro
Farnell.com/multicomp-pro
Element14.com/multicomp-pro

multicomp PRO

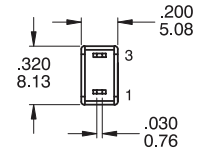
Sealed Sub-Miniature Pushbutton Switch

multicomp PRO

M2



P.C. MOUNTING

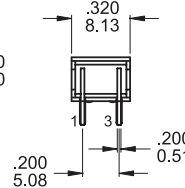
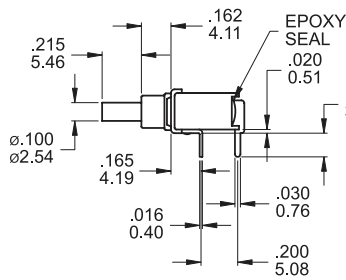
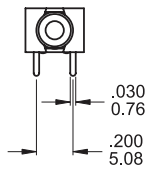


SPST

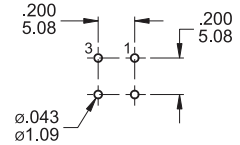
Part No Shown : MC8AS9P1A1M2RES

Dimensions : Inches (Millimetres)

M6



P.C. MOUNTING



SPST

Part No Shown : MC8AS9P1A1M6RES

Dimensions : Inches (Millimetres)

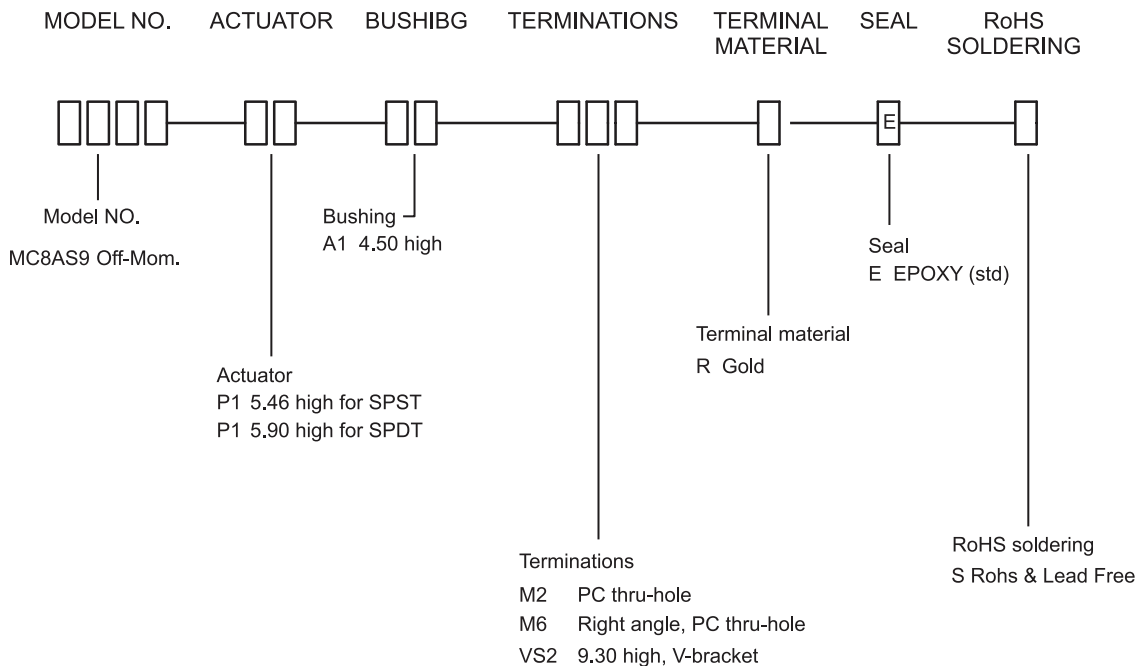
Soldering Processes

- Manual Soldering : Use soldering iron of 30 watts, controlled at 350°C approximately 5 seconds while applying solder.
- Wave Soldering : Recommended Soldering Temperature: 260 ± 5°C
Duration of Solder Immersion: Max 5 sec. (PCB is 1.6mm in thickness)

Sealed Sub-Miniature Pushbutton Switch



Ordering Information



Part Number Table

Description	Part Number
Switch, SPST, 0.4VA, 20V, THT	MC8AS9P1A1VS2RES
Switch, SPST, OFF-MOM, R/A, Sealed	MC8AS9P1A1M2RES
Switch, SPST, OFF-MOM, Bracket, Sealed	MC8AS9P1A1M6RES

Important Notice : This data sheet and its contents (the "Information") belong to the members of the AVNET group of companies (the "Group") or are licensed to it. No licence is granted for the use of it other than for information purposes in connection with the products to which it relates. No licence of any intellectual property rights is granted. The Information is subject to change without notice and replaces all data sheets previously supplied. The Information supplied is believed to be accurate but the Group assumes no responsibility for its accuracy or completeness, any error in or omission from it or for any use made of it. Users of this data sheet should check for themselves the Information and the suitability of the products for their purpose and not make any assumptions based on information included or omitted. Liability for loss or damage resulting from any reliance on the Information or use of it (including liability resulting from negligence or where the Group was aware of the possibility of such loss or damage arising) is excluded. This will not operate to limit or restrict the Group's liability for death or personal injury resulting from its negligence. Multicomp Pro is the registered trademark of Premier Farnell Limited 2019.

Newark.com/multicomp-pro
 Farnell.com/multicomp-pro
 Element14.com/multicomp-pro

