

**RoHS
Compliant**



Specifications

Electrical:

Contact Rating : 16A at 125V AC, 10A at 250V AC
 Contact Resistance : 5mΩ Max.
 Insulation Resistance : 100MΩ Min. at 500V DC
 Dielectric Strength : 1500VRMS for one minute

Mechanical:

Life : 20,000 cycles

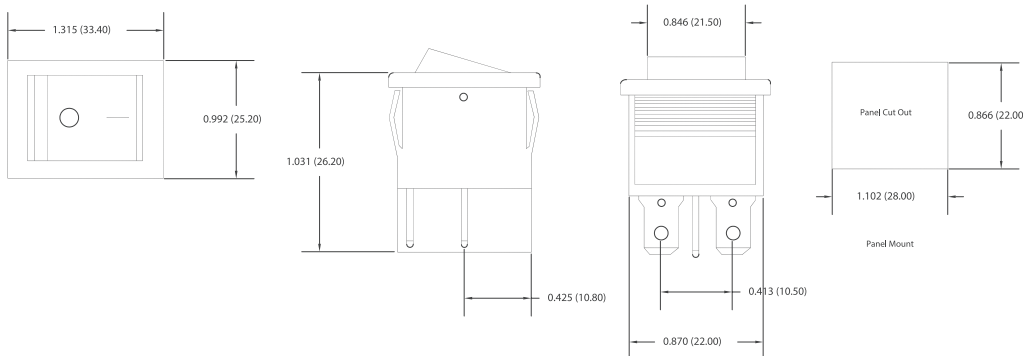
Environmental:

Operating Temperature : -55°C to +85°C

Material:

Housing : Nylon 6/6, UL94V-2, Black
 Actuator : Nylon 6/6, UL94V-2
 Contact / Terminals : Copper alloy, silver plated
 Contact Spring : Music Wire

Diagram



Dimensions : Inches (Millimetres)

Part Number Table

Description	Part Number
Power Rocker Switch, DPDT, ON-OFF-ON, Panel Mount	SPC21509

Important Notice : This data sheet and its contents (the "Information") belong to the members of the AVNET group of companies (the "Group") or are licensed to it. No licence is granted for the use of it other than for information purposes in connection with the products to which it relates. No licence of any intellectual property rights is granted. The Information is subject to change without notice and replaces all data sheets previously supplied. The Information supplied is believed to be accurate but the Group assumes no responsibility for its accuracy or completeness, any error in or omission from it or for any use made of it. Users of this data sheet should check for themselves the Information and the suitability of the products for their purpose and not make any assumptions based on information included or omitted. Liability for loss or damage resulting from any reliance on the Information or use of it (including liability resulting from negligence or where the Group was aware of the possibility of such loss or damage arising) is excluded. This will not operate to limit or restrict the Group's liability for death or personal injury resulting from its negligence. Multicomp Pro is the registered trademark of Premier Farnell Limited 2019.