

Description

The AS2333 is dual CMOS operational amplifiers designed with chopping stabilization technique. This product can provide ultra-low input offset voltage (8 μ V typical) and near zero-drift over time and temperature. This technique also eliminates 1/f noise, and the cross over distortion presented in most rail to rail input operational amplifiers. The high-precision, low quiescent current amplifier offers high-impedance inputs that have a common-mode range 100mV beyond the rails, and rail-to-rail output that swings within 50mV of the rails. Single or dual supplies as low as 1.8V (\pm 0.9V) and up to 5.5V (\pm 2.75V) can be used.

The device is optimized for low voltage single supply application, especially for low-power high precision applications.

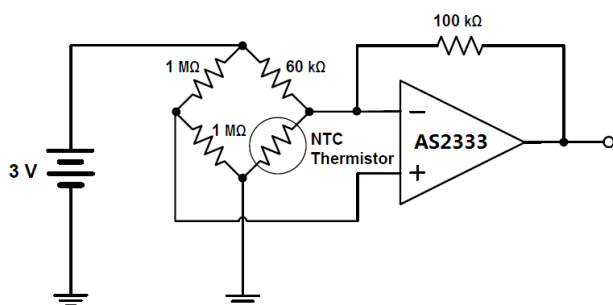
The AS2333 is available in standard 8-pin SO-8, MSOP-8 and U-DFN3030-8 (Type E) packages, and is specified for operation from -40°C to +125°C.

Features

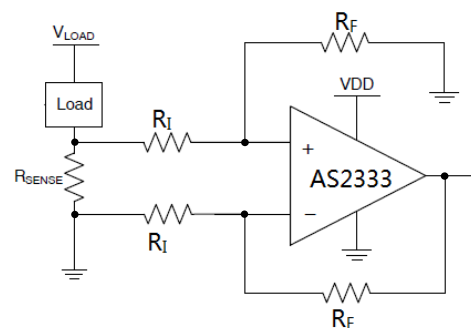
- Low Input Offset Voltage: 8 μ V (typ)
- Zero Drift: 0.02 μ V/°C (typ)
- 0.01Hz to 10Hz Noise: 1.1 μ V_{PP}
- Low Quiescent Current: 12 μ A per Amplifier
- Supply Voltage: 1.8V to 5.5V
- Rail-to-Rail Input and Output
- Bandwidth 350kHz
- Slew Rate 0.12V/ μ s (typ)
- MSOP-8, SO-8 and U-DFN3030-8 (Type E) Packages
- **Totally Lead-Free & Fully RoHS Compliant (Notes 1 & 2)**
- **Halogen and Antimony Free. "Green" Device (Note 3)**
- **For automotive applications requiring specific change control (i.e. parts qualified to AEC-Q100/101/200, PPAP capable, and manufactured in IATF 16949 certified facilities), please [contact us](https://www.diodes.com/contact-us) or your local Diodes representative. <https://www.diodes.com/quality/product-definitions/>**

- Notes:
1. No purposely added lead. Fully EU Directive 2002/95/EC (RoHS), 2011/65/EU (RoHS 2) & 2015/863/EU (RoHS 3) compliant.
 2. See <https://www.diodes.com/quality/lead-free/> for more information about Diodes Incorporated's definitions of Halogen- and Antimony-free, "Green" and Lead-free.
 3. Halogen- and Antimony-free "Green" products are defined as those which contain <900ppm bromine, <900ppm chlorine (<1500ppm total Br + Cl) and <1000ppm antimony compounds.

Typical Application

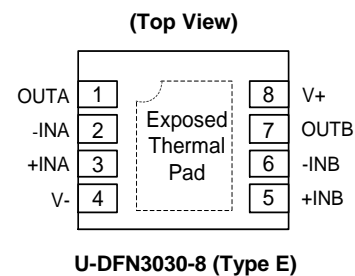
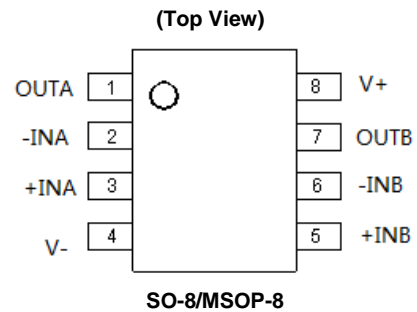


Thermistor Measurement



Low-Side Current Monitor

Pin Assignments



Applications

- Battery-Powered Instruments
- Handheld Test Equipment
- Medical Instrumentation
- Sensor Signal Conditioning
- Low Voltage Current Sensing

Pin Descriptions

Pin Number	Pin Name	I/O	Description
3	+INA	I	Noninverting input, channel A
5	+INB	I	Noninverting input, channel B
2	-INA	I	Inverting input, channel A
6	-INB	I	Inverting input, channel B
1	OUTA	O	Output, channel A
7	OUTB	O	Output, channel B
8	V+	—	Positive Power Supply Recommend to place a minimum 0.1 μ F decoupling capacitor between V+ pin and GND as close as possible.
4	V-	—	Negative Power Supply Single power supply application, it is normally tied to ground. Split power supply application, a minimum 0.1 μ F decouple capacitor will be recommended to place between V- pin and GND as close as possible.

Absolute Maximum Ratings (Note 4) (@T_A = +25°C, unless otherwise specified.)

Symbol	Parameter	Rating	Unit	
V _S = V ₊ - V ₋	Supply Voltage Range	6.5	V	
V _{-IN} / V _{+IN}	Signal Input Terminals (Note 5)	V ₋ - 0.3V to V ₊ + 0.3V	V	
—	Signal Input Terminals (Note 5)	-1 to +1	mA	
—	Output Short-Circuit (Note 6)	Continuous	mA	
T _{STG}	Storage Temperature	-65 to +150	°C	
T _J	Maximum Junction Temperature	+150	°C	
T _{LEAD}	Lead Temperature (Soldering, 10 Seconds)	+260	°C	
R _{θJA}	Junction-to-Ambient Thermal Resistance	SO-8	139	°C/W
		MSOP-8	184	°C/W
		U-DFN3030-8 (Type E)	—	°C/W
R _{θJC}	Junction-to-Case Thermal Resistance	SO-8	25	°C/W
		MSOP-8	18	°C/W
		U-DFN3030-8 (Type E)	—	°C/W
ESD HBM	Human Body Model ESD Protection	4	kV	
ESD CDM	Charged-Device Model ESD Protection	1	kV	

- Notes:
4. *Absolute Maximum Ratings* indicate limits beyond which damage to the device may occur. *Recommended Operating Conditions* indicate conditions for which the device is intended to be functional, but specific performance is not guaranteed. For guaranteed specifications and the test conditions, see the *Electrical Characteristics*.
 5. Input terminals are diode-clamped to the power-supply rails. Input signals that can swing more than 0.3V beyond the supply rails should be current limited to 10mA or less.
 6. Short-circuit to ground.

Recommended Operating Conditions (@T_A = +25°C, unless otherwise specified.)

Symbol	Parameter	Rating	Unit
V _S = V ₊ - V ₋	Supply Voltage Range	1.8 to 5.5	V
T _A	Operating Ambient Temperature Range	-40 to +125	°C

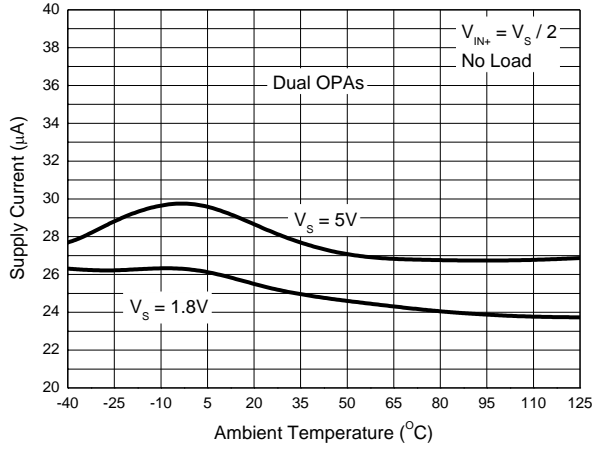
Electrical Characteristics (@ $T_A = +25^\circ\text{C}$, $V_S = 5.0\text{V}$, $R_L = 10\text{k}\Omega$ connected to $V_S / 2$, $V_{CM} = V_S / 2$, and $V_{OUT} = V_S / 2$, unless otherwise specified.)

Symbol	Parameter	Conditions	Min	Typ	Max	Unit	
Offset Voltage							
V_{OS}	Input Offset Voltage	$V_S = 5\text{V}$	—	8	22	μV	
$\Delta V_{OS}/\Delta T$	Input Offset Voltage Drift (Note 7)	$T_A = -40^\circ\text{C}$ to $+85^\circ\text{C}$	—	0.02	0.1	$\mu\text{V}/^\circ\text{C}$	
		$T_A = -40^\circ\text{C}$ to $+125^\circ\text{C}$	—	—	0.2	$\mu\text{V}/^\circ\text{C}$	
PSRR	Power-Supply Rejection Ratio	$V_S = 1.8\text{V}$ to 5.5V , $T_A = -40^\circ\text{C}$ to $+125^\circ\text{C}$	—	1	5	$\mu\text{V}/\text{V}$	
—	Long-Term Stability	—	(Note 7)			μV	
—	Channel Separation, DC	—	—	0.1	—	$\mu\text{V}/\text{V}$	
Input Bias Current							
I_B	Input Bias Current	$T_A = +25^\circ\text{C}$	—	± 70	± 200	pA	
		$T_A = -40^\circ\text{C}$ to $+125^\circ\text{C}$	—	± 400	—		
I_{OS}	Input Offset Current	—	—	± 140	± 400		
Noise							
V_N	Input Voltage Noise	$f = 0.01\text{Hz}$ to 1Hz	—	0.3	—	μV_{PP}	
		$f = 0.1\text{Hz}$ to 10Hz	—	1.1	—		
I_N	Input Current Noise	$f = 10\text{Hz}$	—	100	—	$\text{fA}/\sqrt{\text{Hz}}$	
Input Voltage							
V_{CM}	Common-Mode Voltage Range	—	$(V_-) - 0.1$	—	$(V_+) + 0.1$	V	
CMRR	Common-Mode Rejection Ratio	$(V_-) - 0.1\text{V} < V_{CM} < (V_+) + 0.1\text{V}$, $T_A = -40^\circ\text{C}$ to $+125^\circ\text{C}$	106	120	—	dB	
Input Capacitance							
—	Differential	—	—	2	—	pF	
—	Common-Mode	—	—	4	—	pF	
Open-Loop Gain							
A_{OL}	Open-Loop Voltage Gain	$(V_-) + 100\text{mV} < V_O < (V_+) - 100\text{mV}$, $R_L = 10\text{k}\Omega$, $T_A = -40^\circ\text{C}$ to $+125^\circ\text{C}$	106	130	—	dB	
Frequency Response							
GBW	Gain-Bandwidth Product	$C_L = 100\text{pF}$	—	350	—	kHz	
SR	Slew Rate	$G = +1$	—	0.12	—	$\text{V}/\mu\text{s}$	
Output							
—	Voltage Output Swing from Rail	Positive Rail $R_L = 10\text{k}\Omega$	$T_A = +25^\circ\text{C}$	—	30	50	mV
			$T_A = -40^\circ\text{C}$ to $+125^\circ\text{C}$	—	—	70	
		Negative Rail $R_L = 10\text{k}\Omega$	$T_A = +25^\circ\text{C}$	—	10	50	
			$T_A = -40^\circ\text{C}$ to $+125^\circ\text{C}$	—	—	70	
I_{SC}	Short-Circuit Current	Source Current	—	5	—	mA	
		Sink Current	—	25	—	mA	
—	Open-Loop Output Impedance	$f = 350\text{kHz}$, $I_O = 0\text{A}$	—	2	—	k Ω	
Power Supply							
V_S	Specified Voltage Range	—	1.8	—	5.5	V	
I_Q	Quiescent Current per Amplifier	$I_O = 0\text{A}$, $T_A = +25^\circ\text{C}$	—	12	20	μA	
		$I_O = 0\text{A}$, $T_A = -40^\circ\text{C}$ to $+125^\circ\text{C}$	—	—	28		
t_{ON}	Turn-On Time	$V_S = 5\text{V}$	—	100	—	μs	

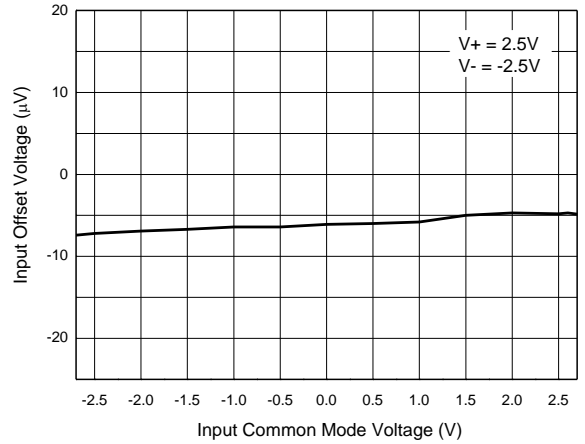
Note: 7. 300-hour life test at $+150^\circ\text{C}$ demonstrated randomly distributed variation of approximately $1\mu\text{V}$. This parameter guaranteed by design and characterization, not by testing.

Typical Performance Characteristics

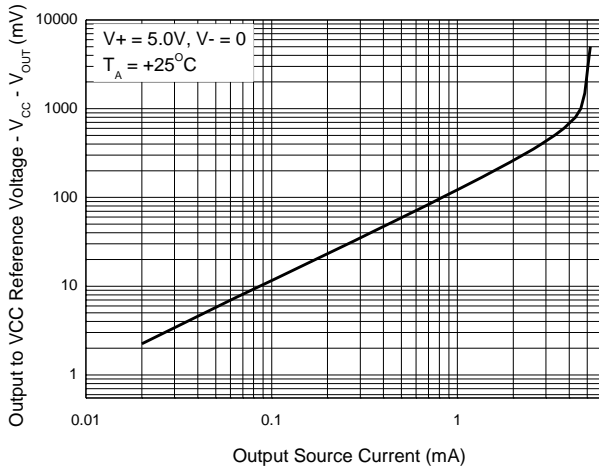
Supply Current vs. Temperature



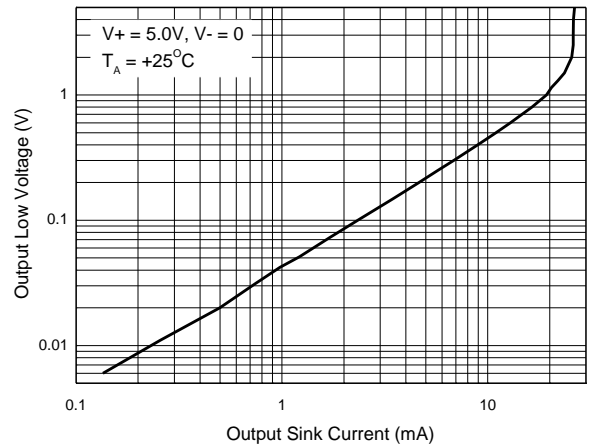
Input Offset Voltage vs. Input Common Mode Voltage



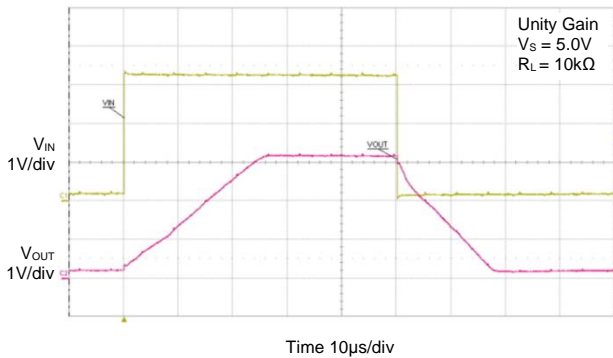
Output Characteristics-Sourcing Current



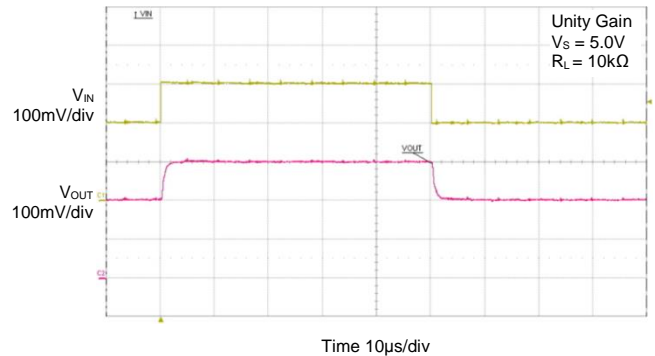
Output Characteristics-Sinking Current



Large Signal Response

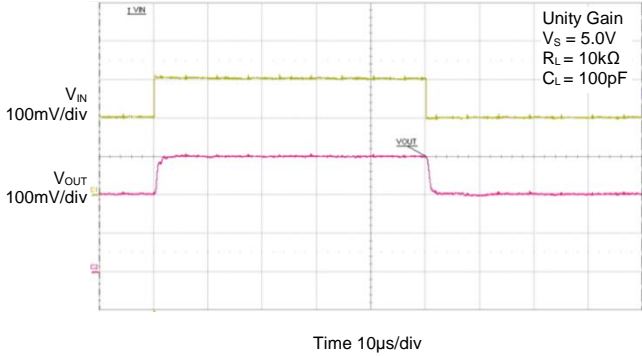


Small Signal Response

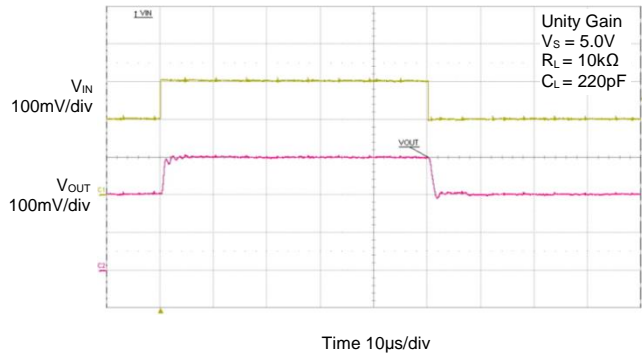


Typical Performance Characteristics (continued)

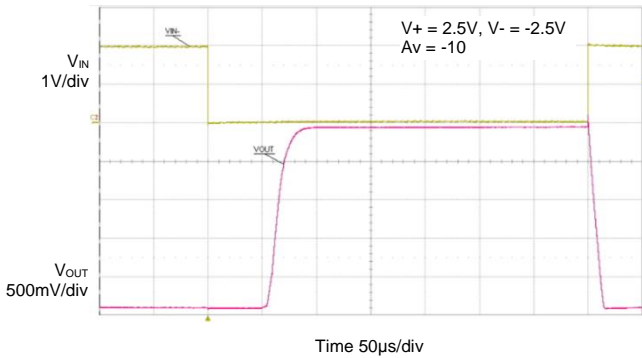
Small Signal Response



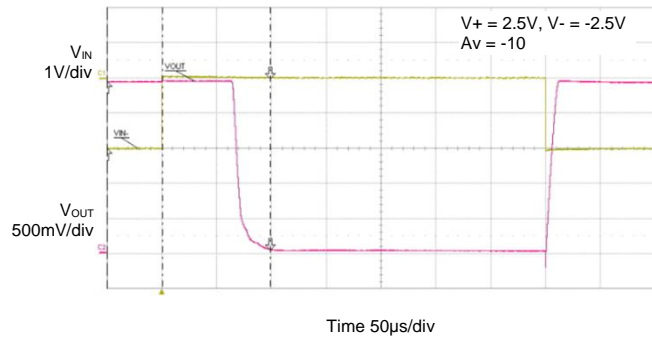
Small Signal Response



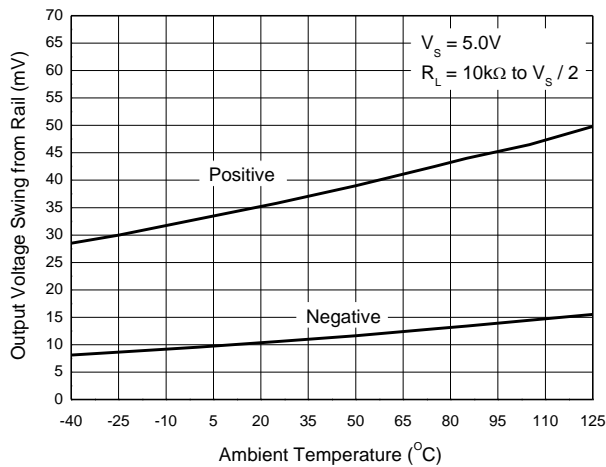
Negative Overvoltage Response



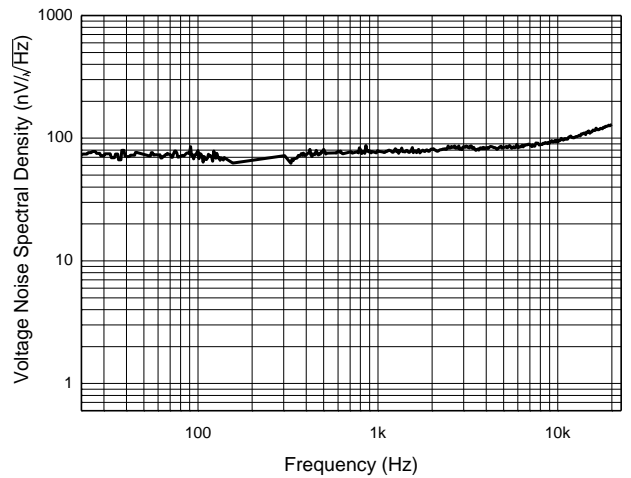
Positive Overvoltage Response



Output Voltage Swing from Rail

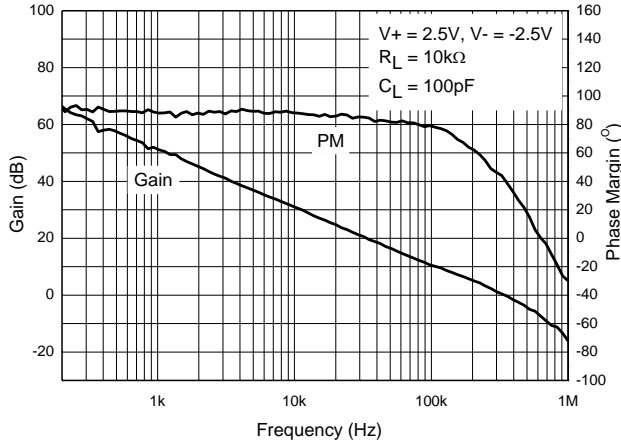


Voltage Noise Spectral Density

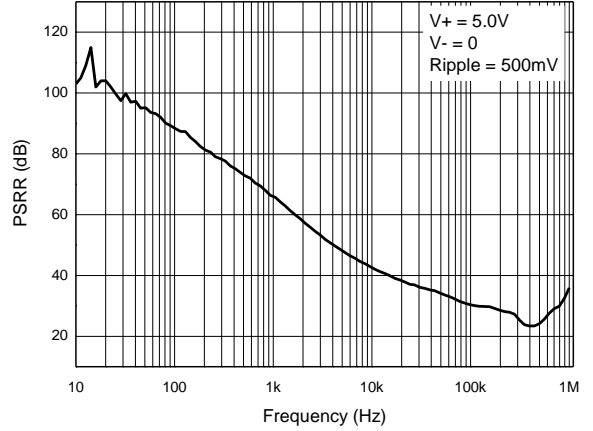


Typical Performance Characteristics (continued)

Frequency Response



Power Supply Rejection Ratio vs. Frequency



Application Information

Overview

The AS2333 is low power, zero-drift, high precision, rail-to-rail input and output operational amplifier, which adopts chopper-stabilized function circuits to provide the advantage of minimizing input offset voltage and offset voltage drift over time and temperature. Its input common-mode voltage range extends 0.1V beyond the supply rails to allow for sensing near ground or system V_{DD} . The device operates from a single-supply voltage as low as 1.8V, is unity-gain stable, has no 1/f noise, has good PSRR and CMRR performance. These features make the part suitable for a wide range of general-purpose applications, especially for low-power high precision applications.

Low Input Referred Noise

The device AS2333 is chopper stabilized amplifier, the flicker noise is reduced greatly because of this technique. The zero-drift chopper-stabilized amplifiers are especially suited for accurate, high-gain amplification at lower frequencies. In general, they do not exhibit the higher bandwidth of linear operational amplifier, and the location of their clock frequency establishes a practical frequency limit on signal fidelity. This makes performance at low frequencies especially important, and the chopper-stabilized architecture further contributes to low frequency usefulness by eliminating the classic linear operational amplifier 1/f input voltage noise. Many high gain sensor applications are at low frequencies, making zero-drift amplifiers a natural choice for this function.

Below plots compared conventional amplifier voltage noise density behavior and zero-drift amplifier's, this 1/f noise elimination in zero-drift amplifier allows the AS2333 to have much lower noise at DC and low frequency compared to conventional low noise amplifier.

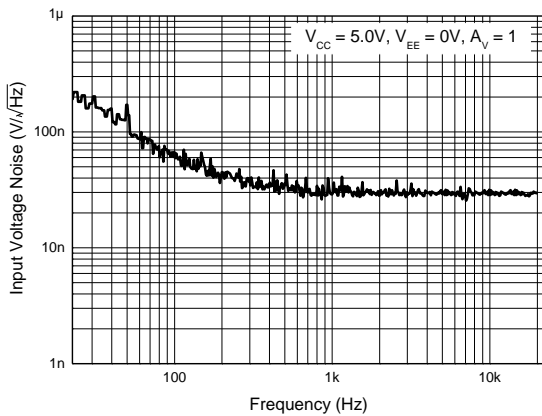


Figure 1. Input Voltage Noise in Conventional Amplifier (AZV832)

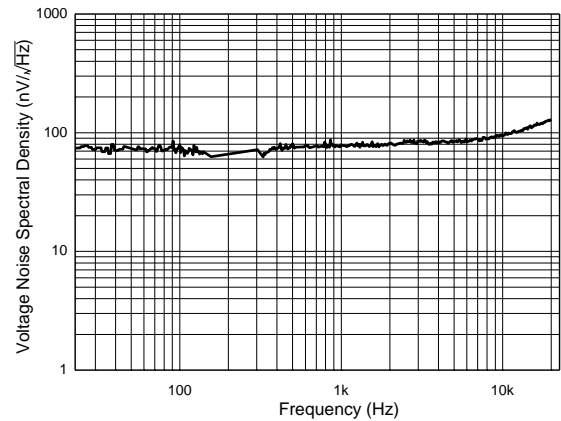


Figure 2. Input Voltage Noise in Zero-Drift Amplifier (AS2333)

Driving a Capacitive Load

The AS2333 can directly drive 200pF in unity-gain without oscillation. The unity-gain follower is the most sensitive configuration to capacitive loading. Capacitive loading directly on the output terminal can decrease the device's phase margin leading to high frequency ringing or oscillation.

To drive a heavier capacitive load, the circuit in Figure 3 can be used. The resistor R_{NULL} and C_L form a pole to increase stability by adding more phase margin to the system. The bigger R_{NULL} resistor value the more stable V_{OUT} is. Figure 4 and Figure 5 are AS2333 output pulse response waveforms with and without R_{NULL} 330Ω for load conditions $C_L = 470pF$ and $R_L = 10kΩ$.

Application Information (continued)

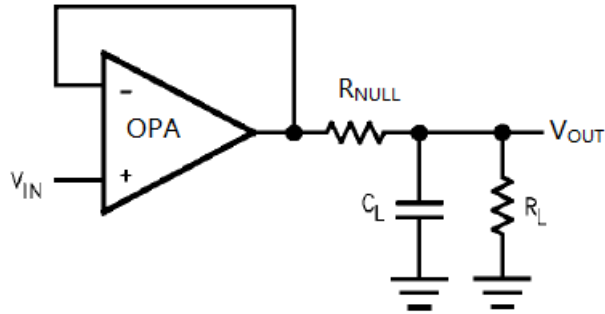


Figure 3. Capacitive Load with RNULL

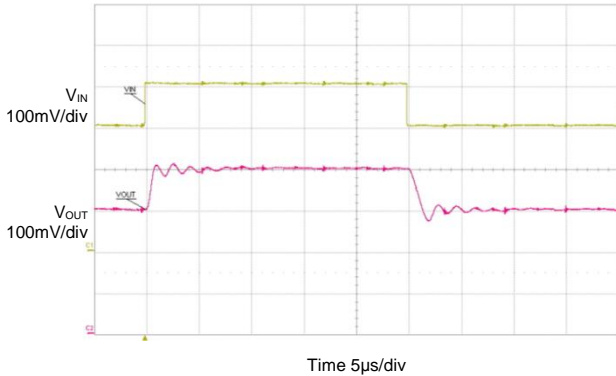


Figure 4. Test Result Without RNULL

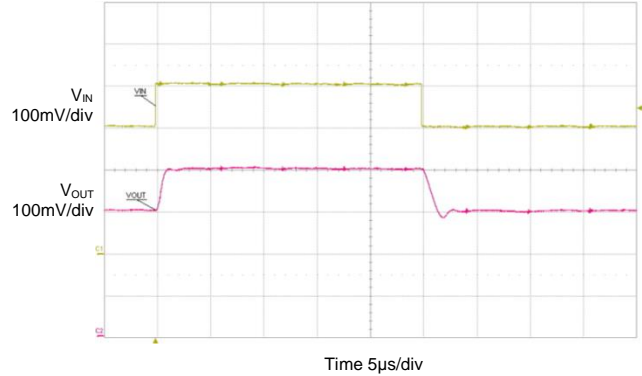


Figure 5. Test Result with RNULL 330Ω

Reducing capacitive load ringing and overshoot, the RC snubber circuit also can be used, shown in Figure 6, it does allow the amplifier to drive larger values of capacitance while maintaining a minimum of overshoot and ringing. Figure 7 shows AS2333 test result for capacitive load 470pF with snubber circuit.

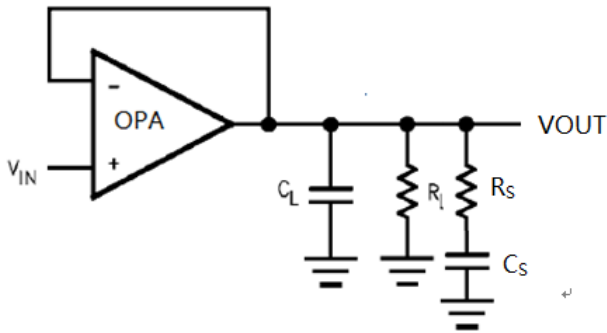


Figure 6. Circuit with Snubber Circuit

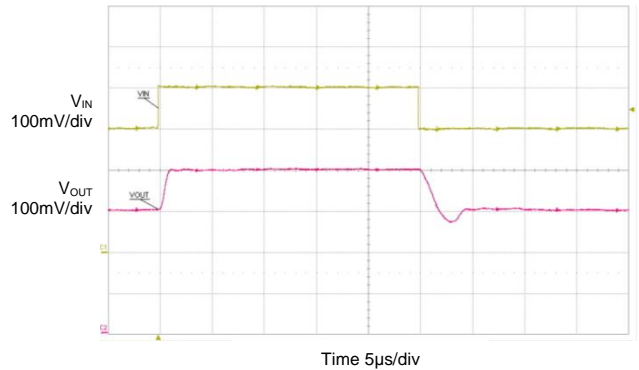


Figure 7. Test Result with Snubber Circuit

Application Information (continued)

Low-Side Current Monitor Application

Low-side current sensing is used to monitor the current through a load. This method can be used to detect over-current conditions and is often used in feedback control, as shown in Figure 8. A sense resistor is placed in series with the load to ground. Precision resistors are required for high accuracy and the resulting voltage drop is amplified using AS2333.

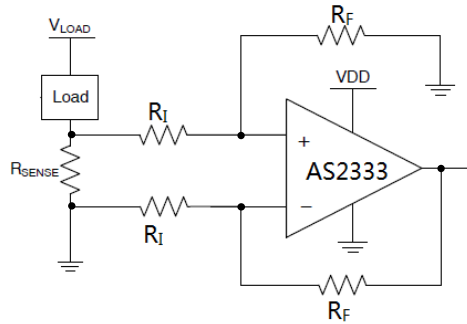


Figure 8. Low-Side Current Monitor Application

Differential Amplifier for Bridged Circuits

Sensors to measure strain, pressure, and temperature are often configured in a Wheatstone bridge circuit as shown in Figure 9. In the measurement, the voltage change that is produced is relatively small and needs to be amplified before going into an ADC. Precision amplifiers are recommended in these types of applications due to their high gain, low noise, and low offset voltage.

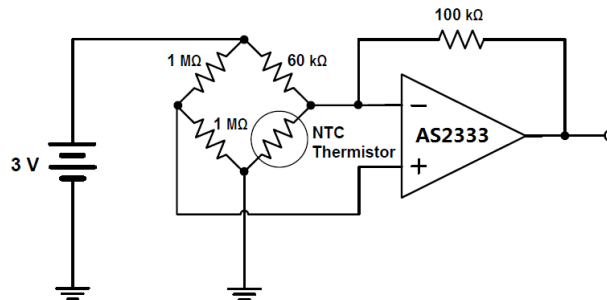
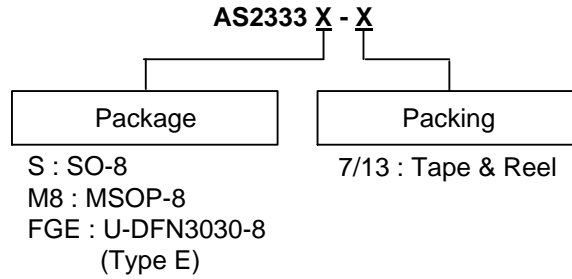


Figure 9. Bridge Circuit Amplification

Ordering Information

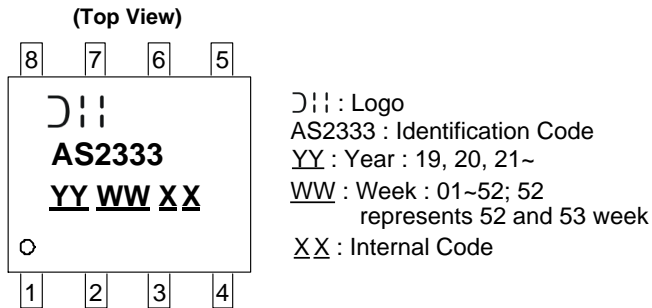


Part Number	Identification Code	Packaging	Tape and Reel	
			Quantity	Part Number Suffix
AS2333S-13	AS2333	SO-8	2500/Tape & Reel	-13
AS2333M8-13	AS2333	MSOP-8	2500/Tape & Reel	-13
AS2333FGE-7 (Note 8)	ND	U-DFN3030-8 (Type E)	3000/Tape & Reel	-7

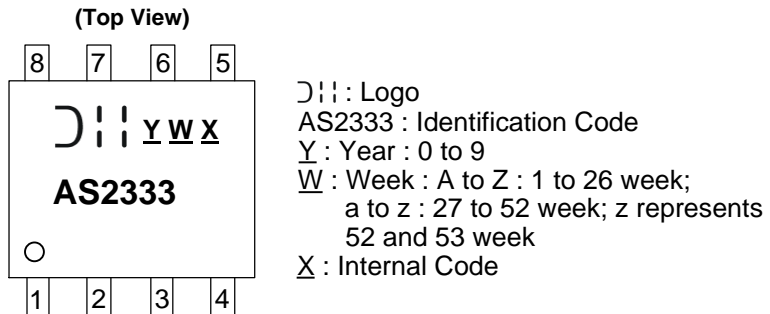
Note: 8. This part will be developed in future.

Marking Information

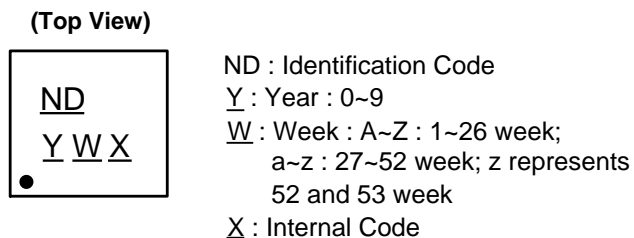
(1) SO-8



(2) MSOP-8



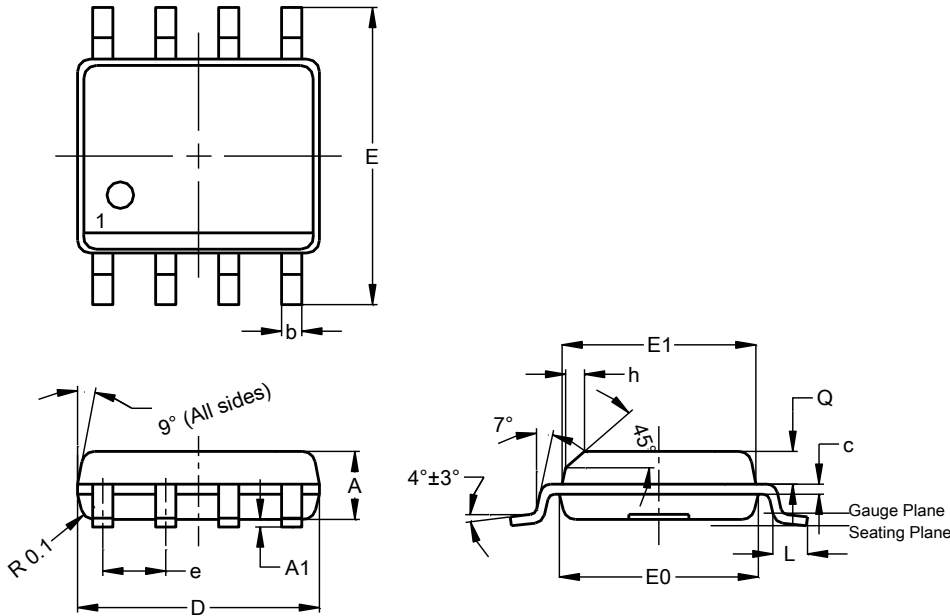
(3) U-DFN3030-8 (Type E)



Package Outline Dimensions

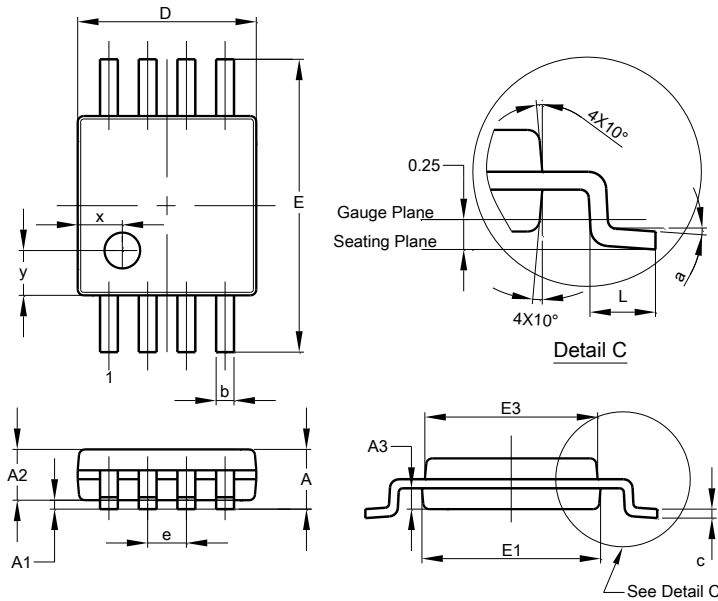
Please see <http://www.diodes.com/package-outlines.html> for the latest version.

(1) Package Type: SO-8



SO-8			
Dim	Min	Max	Typ
A	1.40	1.50	1.45
A1	0.10	0.20	0.15
b	0.30	0.50	0.40
c	0.15	0.25	0.20
D	4.85	4.95	4.90
E	5.90	6.10	6.00
E1	3.80	3.90	3.85
E0	3.85	3.95	3.90
e	--	--	1.27
h	--	--	0.35
L	0.62	0.82	0.72
Q	0.60	0.70	0.65
All Dimensions in mm			

(2) Package Type: MSOP-8

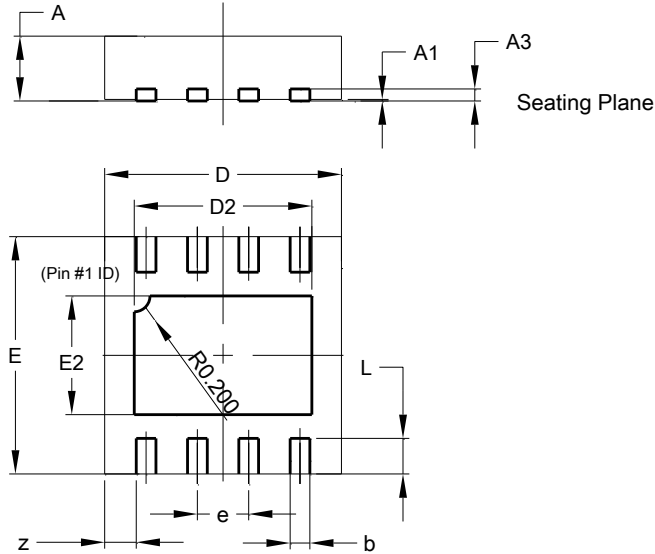


MSOP-8			
Dim	Min	Max	Typ
A	-	1.10	-
A1	0.05	0.15	0.10
A2	0.75	0.95	0.86
A3	0.29	0.49	0.39
b	0.22	0.38	0.30
c	0.08	0.23	0.15
D	2.90	3.10	3.00
E	4.70	5.10	4.90
E1	2.90	3.10	3.00
E3	2.85	3.05	2.95
e	-	-	0.65
L	0.40	0.80	0.60
a	0°	8°	4°
x	-	-	0.750
y	-	-	0.750
All Dimensions in mm			

Package Outline Dimensions (continued)

Please see <http://www.diodes.com/package-outlines.html> for the latest version.

(3) Package Type: U-DFN3030-8 (Type E)

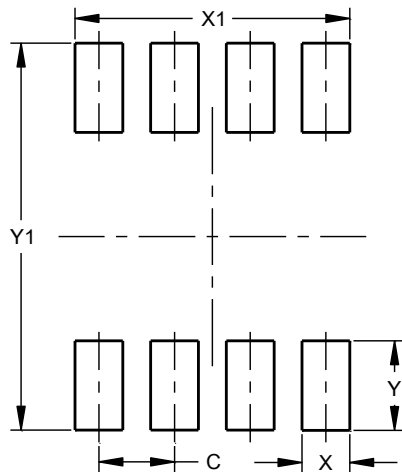


U-DFN3030-8 (Type E)			
Dim	Min	Max	Typ
A	0.57	0.63	0.60
A1	0.00	0.05	0.02
A3	-	-	0.15
b	0.20	0.30	0.25
D	2.95	3.05	3.00
D2	2.15	2.35	2.25
E	2.95	3.05	3.00
E2	1.40	1.60	1.50
e	-	-	0.65
L	0.30	0.60	0.45
z	-	-	0.40
All Dimensions in mm			

Suggested Pad Layout

Please see <http://www.diodes.com/package-outlines.html> for the latest version.

(1) Package Type: SO-8

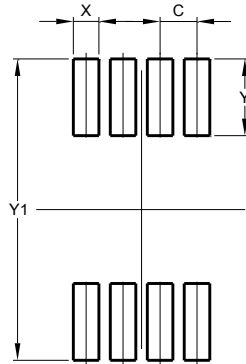


Dimensions	Value (in mm)
C	1.27
X	0.802
X1	4.612
Y	1.505
Y1	6.50

Suggested Pad Layout (continued)

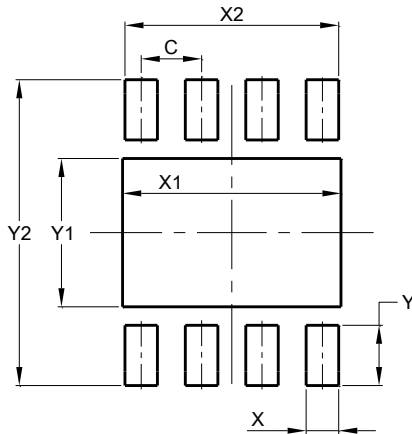
Please see <http://www.diodes.com/package-outlines.html> for the latest version.

(2) Package Type: MSOP-8



Dimensions	Value (in mm)
C	0.650
X	0.450
Y	1.350
Y1	5.300

(3) Package Type: U-DFN3030-8 (Type E)



Dimensions	Value (in mm)
C	0.650
X	0.350
X1	2.350
X2	2.300
Y	0.650
Y1	1.600
Y2	3.300

Mechanical Data

SO-8

- Moisture Sensitivity: Level 1 per J-STD-020
- Terminals: Finish – Matte Tin Plated Leads, Solderable per MIL-STD-202, Method 208[Ⓒ]
- Weight: 0.075 grams (Approximate)

MSOP-8

- Moisture Sensitivity: Level 1 per J-STD-020
- Terminals: Finish – Matte Tin Plated Leads, Solderable per MIL-STD-202, Method 208[Ⓒ]
- Weight: 0.025 grams (Approximate)

IMPORTANT NOTICE

DIODES INCORPORATED MAKES NO WARRANTY OF ANY KIND, EXPRESS OR IMPLIED, WITH REGARDS TO THIS DOCUMENT, INCLUDING, BUT NOT LIMITED TO, THE IMPLIED WARRANTIES OF MERCHANTABILITY AND FITNESS FOR A PARTICULAR PURPOSE (AND THEIR EQUIVALENTS UNDER THE LAWS OF ANY JURISDICTION).

Diodes Incorporated and its subsidiaries reserve the right to make modifications, enhancements, improvements, corrections or other changes without further notice to this document and any product described herein. Diodes Incorporated does not assume any liability arising out of the application or use of this document or any product described herein; neither does Diodes Incorporated convey any license under its patent or trademark rights, nor the rights of others. Any Customer or user of this document or products described herein in such applications shall assume all risks of such use and will agree to hold Diodes Incorporated and all the companies whose products are represented on Diodes Incorporated website, harmless against all damages.

Diodes Incorporated does not warrant or accept any liability whatsoever in respect of any products purchased through unauthorized sales channel. Should Customers purchase or use Diodes Incorporated products for any unintended or unauthorized application, Customers shall indemnify and hold Diodes Incorporated and its representatives harmless against all claims, damages, expenses, and attorney fees arising out of, directly or indirectly, any claim of personal injury or death associated with such unintended or unauthorized application.

Products described herein may be covered by one or more United States, international or foreign patents pending. Product names and markings noted herein may also be covered by one or more United States, international or foreign trademarks.

This document is written in English but may be translated into multiple languages for reference. Only the English version of this document is the final and determinative format released by Diodes Incorporated.

LIFE SUPPORT

Diodes Incorporated products are specifically not authorized for use as critical components in life support devices or systems without the express written approval of the Chief Executive Officer of Diodes Incorporated. As used herein:

A. Life support devices or systems are devices or systems which:

1. are intended to implant into the body, or
2. support or sustain life and whose failure to perform when properly used in accordance with instructions for use provided in the labeling can be reasonably expected to result in significant injury to the user.

B. A critical component is any component in a life support device or system whose failure to perform can be reasonably expected to cause the failure of the life support device or to affect its safety or effectiveness.

Customers represent that they have all necessary expertise in the safety and regulatory ramifications of their life support devices or systems, and acknowledge and agree that they are solely responsible for all legal, regulatory and safety-related requirements concerning their products and any use of Diodes Incorporated products in such safety-critical, life support devices or systems, notwithstanding any devices- or systems-related information or support that may be provided by Diodes Incorporated. Further, Customers must fully indemnify Diodes Incorporated and its representatives against any damages arising out of the use of Diodes Incorporated products in such safety-critical, life support devices or systems.

Copyright © 2020, Diodes Incorporated

www.diodes.com