

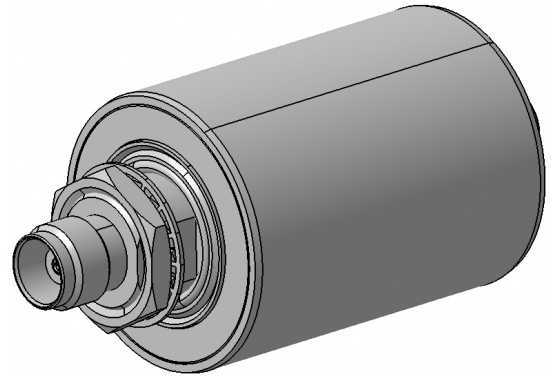
EMP Protector 3403.26.0002

Description

Fine protector hybrid technology

Benefits

- Broad-band design
- DC continuity for remote powering
- Fix installed GDT, static sparkover-voltage nom. 200 V
- Compliant to IEC 61643-21



Product Configuration

Main path connectors	Port 1: <u>unprotected</u> , TNC jack (female) - Port 2: <u>protected</u> , TNC jack (female)
Mounting and grounding	MH12 (bulkhead mounting), brk (bracket)
Side of bulkhead	protected side

Technical Data

Electrical Data

Impedance	50 Ω	
Frequency range	800 - 2500 MHz	1500 - 1700 MHz
Return loss	≥ 23 dB	≥ 26.44 dB
Insertion loss	≤ 0.3 dB	≤ 0.3 dB
RF CW power	≤ 50 W	
PIM 3rd order	not specified	
DC supply voltage	≤ 6 V	
DC current	≤ 3 A	
Surge current handling capability	20 single kA (test pulse 8/20 μ s)	
Residual pulse energy	6 μ J typically (test pulse 4 kV 1.2/50 μ s / 2 kA 8/20 μ s) main path - protected side	

Mechanical Data

Number of matings	100
Weight	90 g

Environmental Data

Operating temperature	-40 $^{\circ}$ C to +85 $^{\circ}$ C
Waterproof degree	IP67 (according to IEC 60529, data refer to the coupled state)
2011/65/EU (RoHS - including 2015/863 and 2017/2102)	compliant

Material Data

Piece Parts	Material	Surface Plating
Housing	Aluminium	Chromatized
Port 1 center contact	Copper Beryllium Alloy	Gold Plating (without Nickel underplating)
Port 2 center contact	Copper Beryllium Alloy	Gold Plating (without Nickel underplating)

Related Documents

Outline drawing	DOU-00097698.1
Mounting instruction	DOC-0000176104

Remarks

Recommendation: if this protector is mated with connectors made of copper-alloy base material and trimetal or nickel plating the connector area must be taped to improve long-term durability.

