

Power Resistor for Mounting Onto a Heatsink Thick Film Technology


RoHS
COMPLIANT

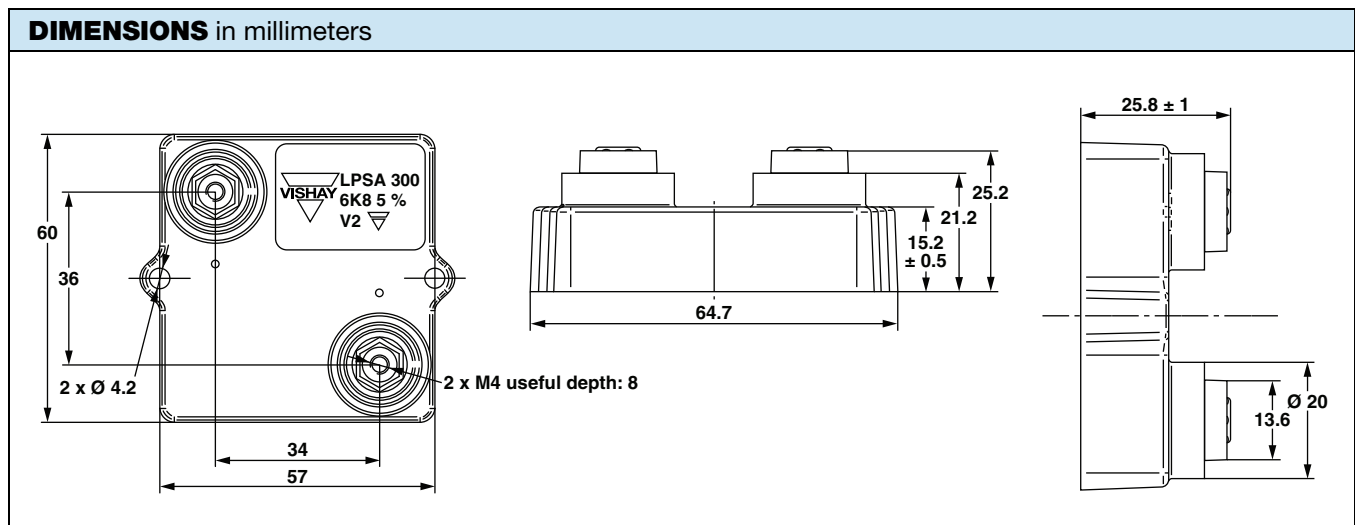
FEATURES

- AEC-Q200 qualified
- Compliant with requirement #26 of NF-EN45545-2
- High power 300 W at 85 °C bottom case temperature
- Wide resistance range: 0.3 Ω to 900 kΩ E24 series
- Non inductive
- Easy mounting
- Low thermal radiation of the case
- Material categorization: for definitions of compliance please see www.vishay.com/doc?99912

ADDITIONAL RESOURCES

[3D Models](#)

LPSA is a fully AEC-Q200 qualified high power resistor. Its high power / energy capability makes it a perfect fit for automotive precharge and discharge applications requiring high levels of performance.


Note

- Tolerances unless stated: ± 0.2 mm

| STANDARD ELECTRICAL SPECIFICATIONS | | | | | | |
|------------------------------------|-----------------------|--|-------------------------------------|------------------|-------------------------------------|-------------------------|
| MODEL | RESISTANCE RANGE Ω | RATED POWER $P_{85\text{ °C}}$ W | LIMITING ELEMENT VOLTAGE U_L V | TOLERANCE ± % | TEMPERATURE COEFFICIENT ± ppm/°C | CRITICAL RESISTANCE (Ω) |
| LPSA 300 | 0.3 to 900K | 300 | 5K | 1, 2, 5, 10 | 150, 300, 500 | 83.33K |



| MECHANICAL SPECIFICATIONS | |
|-------------------------------|--------------------------|
| Mechanical Protection | Insulated case UL 94 V-0 |
| Resistive Element | Thick film |
| Substrate | Alumina |
| End Connections | Screws M4 |
| Tightening Torque Connections | 2 Nm |
| Tightening Torque Heatsink | 2 Nm |
| Maximum Torque | 2.5 Nm |
| Weight | 83 g ± 10 % |

| ENVIRONMENTAL SPECIFICATIONS | |
|------------------------------|------------------|
| Temperature Range | -55 °C to 120 °C |
| Climatic Category | 55/120/56 |

| TECHNICAL SPECIFICATIONS | |
|---|--|
| Power Rating and Thermal Resistance | 300 W at +85 °C bottom case temperature $R_{TH(j-c)}$: 0.112 °C/W |
| Temperature Coefficient -55 °C / 120 °C IEC 60115-1 Standard | $R \leq 1 \Omega$: ± 500 ppm/°C $1 \Omega < R \leq 10 \Omega$: ± 300 ppm/°C $10 \Omega < R$: ± 150 ppm/°C |
| Dielectric Strength IEC 60115-1, 1 min, 10 mA max. | 7 kV _{RMS} or 12 kV _{RMS} |
| Lightning test 1.2/50 µs IEC 61000-4-5 | Until 12 kV |
| Insulation Resistance | ≥ 10 ⁴ MΩ |
| Inductance | ≤ 0.1 µH |
| Partial Discharge (for LPSA 300 D only) | ≤ 100 pC/7 kV ≤ 10 pC/5 kV Other cases: Consult us |

| PERFORMANCE | | |
|---------------------------|--|---------------------|
| TESTS | CONDITIONS | REQUIREMENTS |
| Momentary Overload | IEC 60115-1 4 x P _r /10 s $U_{max.} \leq U_L = 5000$ V | ± (0.5 % + 0.005 Ω) |
| Load Life | IEC 60115-1 1000 h (90/30) P _r at 85 °C | ± (0.5 % + 0.05 Ω) |
| High Temperature Exposure | AEC-Q200 rev. D conditions: MIL-STD-202 method 108 1000 h, +125 °C, unpowered | ± (0.5 % + 0.005 Ω) |
| Temperature Cycling | AEC-Q200 rev. D conditions: JESD22 method JA-104 1000 cycles, -55 °C to +125 °C dwell time -15 min | ± (1 % + 0.005 Ω) |
| Biased Humidity | AEC-Q200 rev. D conditions: MIL-STD-202 method 103 1000 h, +85 °C, 85 % RH | ± (1 % + 0.005 Ω) |
| Operational Life | AEC-Q200 rev. D conditions: MIL-STD-202 method 108 1000 h, 90/30, powered, +25 °C | ± (1 % + 0.005 Ω) |
| ESD Human Body Model | AEC-Q200 rev. D conditions: AEC-Q200-002 25 kV _{AD} | ± (0.5 % + 0.005 Ω) |
| Vibration | AEC-Q200 rev. D conditions: MIL-STD-202 method 204 5 g for 20 min, 12 cycles test from 10 Hz to 2000 Hz | ± (0.5 % + 0.005 Ω) |
| Mechanical Shock | AEC-Q200 rev. D conditions: MIL-STD-202 method 213 100 g; 6 ms, 3.75 m/s 3 shocks / direction | ± (0.5 % + 0.005 Ω) |
| Terminal Strength | AEC-Q200 rev. D conditions: AEC-Q200-006 2.27 kg, 60 s | ± (0.25 % + 0.01 Ω) |



RECOMMENDATIONS FOR MOUNTING ONTO A HEATSINK

- Surfaces in contact must be carefully cleaned
The heatsink must have an acceptable flatness: from 0.05 mm to 0.1 mm/100 mm
Roughness of the heatsink must be around 6.3 µm. In order to improve thermal conductivity, surfaces in contact (alumina, heatsink) should be coated with a silicone grease (type Bluesil Past 340 from BlueStar Silicones) or a thermal film (type Q Pad II) easier and faster to install than the grease.
The fastening of the resistor to the heatsink is under pressure control of two screws tightened at 2 Nm for full power availability.

Table with 2 columns: Tightening Torque on Heatsink, LPSA 300, 2 Nm

- The following accessories are supplied with each product:
- 2 screws CHC M4 x 25 class 8.8 and 2 M4 contact lock washers for heatsink mounting
- 2 screws TH M4 x 6/6 and 2 M4 contact lock washers for connections. 2 off CHC M4 x 16/16 class 8

CHOICE OF THE HEATSINK

The user must choose the heatsink according to the working conditions of the component (power, room temperature). Maximum working temperature must not exceed 120 °C. The dissipated power is simply calculated by the following ratio:

P = ΔT / (R_TH(j-c) + R_TH(c-h) + R_TH(h-a))

- P: Expressed in W
ΔT: Difference between maximum working temperature and room temperature
R_TH(j-c): Thermal resistance value measured between resistive layer and outer side of the resistor. It is the thermal resistance of the component: (see specifications environmental paragraph).
R_TH(c-h): Thermal resistance value measured between outer side of the resistor and upper side of the heatsink. This is the thermal resistance of the interface (grease, thermal pad), and the quality of the fastening device.
R_TH(h-a): Thermal resistance of the heatsink.

Example:

R_TH(c-a) for LPSA 300 power dissipation 180 W at + 50 °C room temperature.
ΔT ≤ 120 °C - 50 °C = 70 °C
R_TH(j-c) + R_TH(c-h) + R_TH(h-a) = ΔT / P = 70 / 180 = 0.388 °C/W
R_TH(j-c) = 0.112 °C/W
R_TH(c-h) + R_TH(h-a) = 0.388 °C/W - 0.112 °C/W = 0.276 °C/W

OVERLOADS

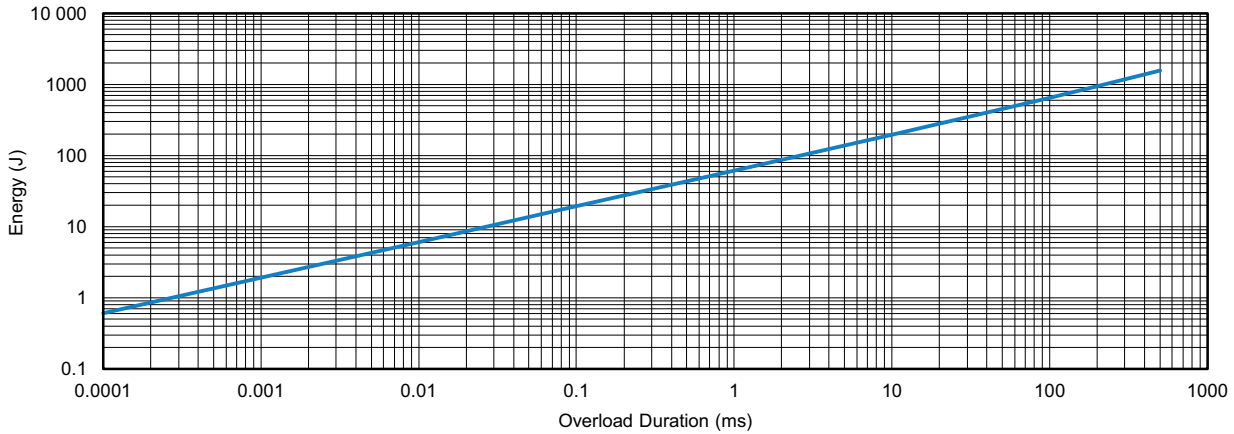
In any case the applied voltage must be lower than U_L = 5000 V.

Short time overload: 4 x P_r/10 s

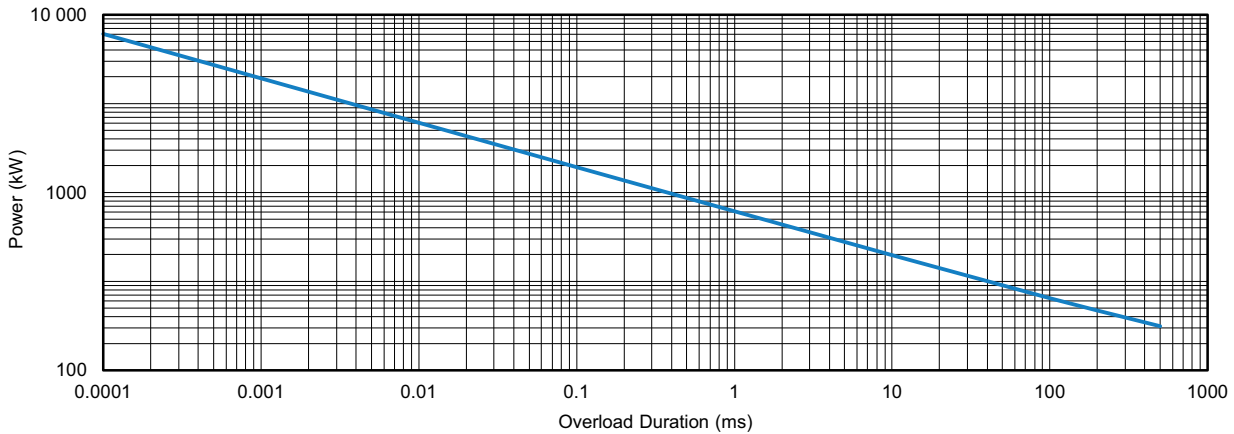
Accidental overload: The values indicated on the following graph are applicable to resistors in air or mounted onto a heatsink.



ENERGY CURVE

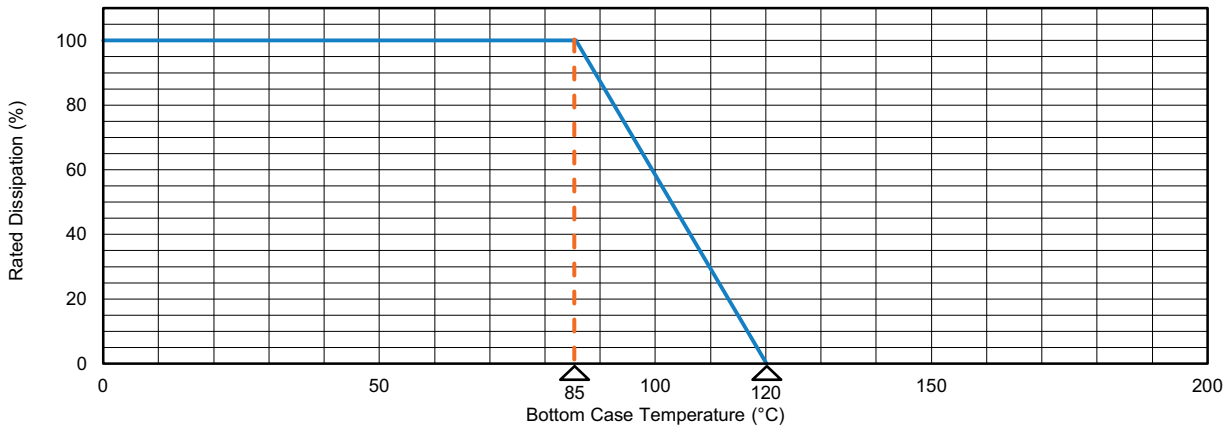


POWER CURVE



POWER RATING

The temperature of the case should be maintained within the limits specified in the following figure. To optimize the thermal conduction, contacting surfaces should be coated with silicone grease or thermal film, and heatsink mounting screws tightened to 2 Nm.



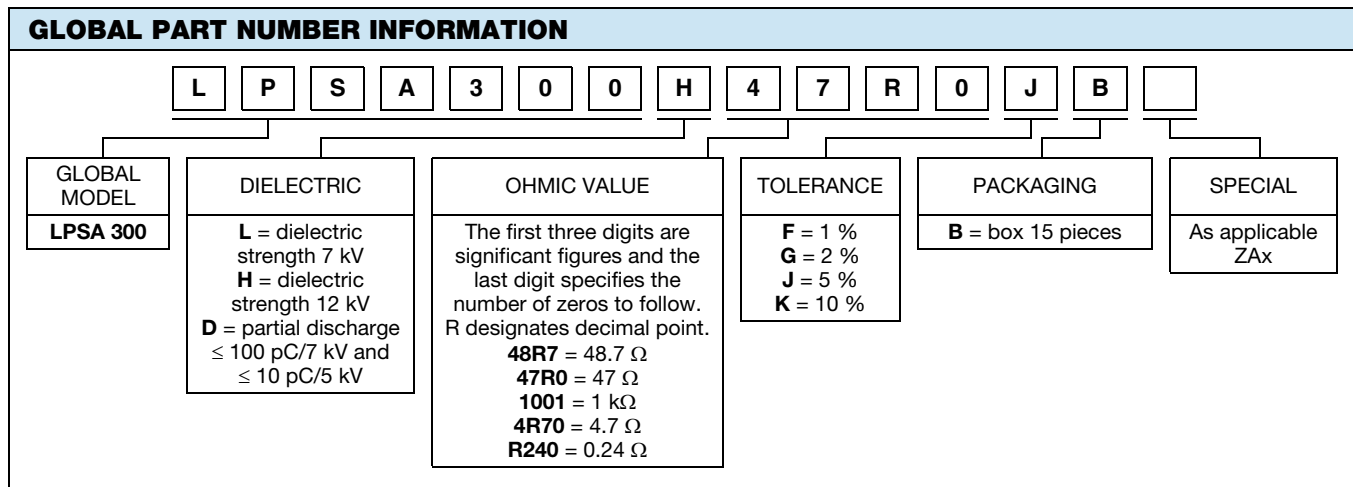


MARKING

Series, style, ohmic value (in Ω), tolerance (in %), manufacturing date, Vishay Sfernice trademark.

| PACKAGING |
|------------------|
| Box of 15 units |

| ORDERING INFORMATION | | | | | | |
|-----------------------------|------------|---------------------------------|---|--|-------------|----------------|
| LPSA | 300 | 100 kΩ | $\pm 1\%$ | xxx | B015 | e |
| MODEL | STYLE | RESISTANCE VALUE | TOLERANCE | CUSTOM DESIGN | PACKAGING | LEAD (Pb)-FREE |
| | | | $\pm 1\%$ $\pm 2\%$ $\pm 5\%$ $\pm 10\%$ | Optional on request: special TCR, shape etc. | | |





Disclaimer

ALL PRODUCT, PRODUCT SPECIFICATIONS AND DATA ARE SUBJECT TO CHANGE WITHOUT NOTICE TO IMPROVE RELIABILITY, FUNCTION OR DESIGN OR OTHERWISE.

Vishay Intertechnology, Inc., its affiliates, agents, and employees, and all persons acting on its or their behalf (collectively, "Vishay"), disclaim any and all liability for any errors, inaccuracies or incompleteness contained in any datasheet or in any other disclosure relating to any product.

Vishay makes no warranty, representation or guarantee regarding the suitability of the products for any particular purpose or the continuing production of any product. To the maximum extent permitted by applicable law, Vishay disclaims (i) any and all liability arising out of the application or use of any product, (ii) any and all liability, including without limitation special, consequential or incidental damages, and (iii) any and all implied warranties, including warranties of fitness for particular purpose, non-infringement and merchantability.

Statements regarding the suitability of products for certain types of applications are based on Vishay's knowledge of typical requirements that are often placed on Vishay products in generic applications. Such statements are not binding statements about the suitability of products for a particular application. It is the customer's responsibility to validate that a particular product with the properties described in the product specification is suitable for use in a particular application. Parameters provided in datasheets and / or specifications may vary in different applications and performance may vary over time. All operating parameters, including typical parameters, must be validated for each customer application by the customer's technical experts. Product specifications do not expand or otherwise modify Vishay's terms and conditions of purchase, including but not limited to the warranty expressed therein.

Except as expressly indicated in writing, Vishay products are not designed for use in medical, life-saving, or life-sustaining applications or for any other application in which the failure of the Vishay product could result in personal injury or death. Customers using or selling Vishay products not expressly indicated for use in such applications do so at their own risk. Please contact authorized Vishay personnel to obtain written terms and conditions regarding products designed for such applications.

No license, express or implied, by estoppel or otherwise, to any intellectual property rights is granted by this document or by any conduct of Vishay. Product names and markings noted herein may be trademarks of their respective owners.