



## Main

Range of product	Harmony Relay
Accessory / separate part category	Connection accessories
Accessory / separate part type	Jumper
Sale per indivisible quantity	10

## Complementary

Product compatibility	Socket RXZE14P Socket RSZE05P Socket RXZE08P Socket RGZE05P Socket RGZE08P
[I <sub>th</sub> ] conventional free air thermal current	2 A
Length	18.5 mm
Width	12.5 mm
Height	0.6 mm
Net weight	0.002 kg

## Offer Sustainability

Sustainable offer status	Green Premium product
REACH Regulation	<a href="#">REACH Declaration</a>
REACH free of SVHC	Yes
EU RoHS Directive	Pro-active compliance (Product out of EU RoHS legal scope) <a href="#">EU RoHS Declaration</a>
Toxic heavy metal free	Yes
Mercury free	Yes
RoHS exemption information	<a href="#">Yes</a>
China RoHS Regulation	<a href="#">China RoHS declaration</a>

---

Environmental Disclosure	<a href="#">Product Environmental Profile</a>
WEEE	The product must be disposed on European Union markets following specific waste collection and never end up in rubbish bins

---

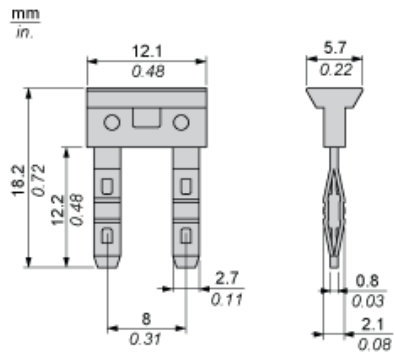
**Contractual warranty**

---

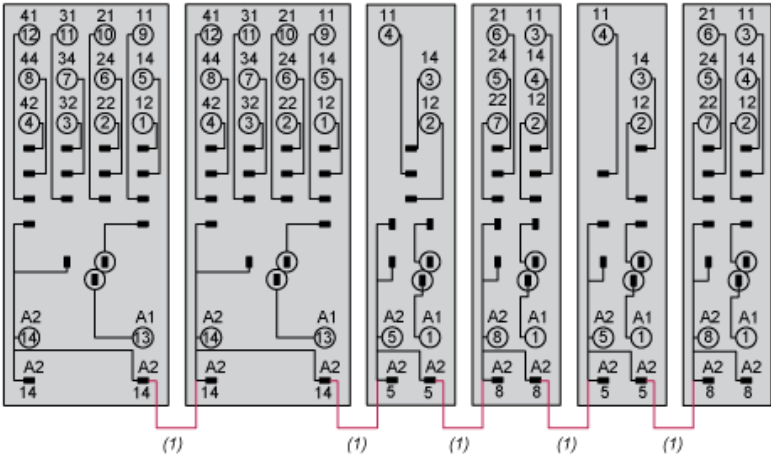
Warranty	18 months
----------	-----------

---

Dimensions



Wiring



(1): RSZS02  
NOTE: For input A2 only