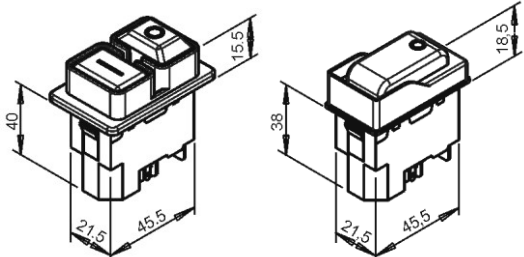


Data sheet for built-in switch with low voltage release TP3251

Usage:	Multifaceted use in devices from domestic and industrial sectors		
	Switching of motors and heating circuits		
Certificates:	VDE according to DIN EN 60947-1 (depending on type)		
	VDE according to DIN EN 60947-4-1 (depending on type)		
	UL (depending on type)		
Characteristics:	positively driven contact		
	Flat connection 6,3 x 0,8 mm		
	option coil connection (A1) flat connectors 2,8 x 0,8 mm (depending on type)		
	Operating mechanism with rocker or push buttons		
	several sealing versions available		
Housing material:	black: PA66 GF25 / Schulamid 66 GF25 FR 5A black		
Operating mechanism:	Mechanical ON/OFF, mechanical ON/ electrical OFF		
Technical data:			
Rated frequency:	50/60 Hz (depending on type)		
Rated insulation voltage U_i :	230 V		
Degree of pollution:	3		
Conventional thermal current I_{th} :	16 A		
Utilization category:	AC1	AC3	
Rated operational voltage U_e :	230 V	230 V	
	1~	1~	
Rate operational current I_e :	16 A	14,5 A	
Mechanical durability:	50.000 Switching cycles		
Electrical durability AC1:	50.000 Switching cycles with 16A		
Electrical durability AC3:	50.000 Switching cycles with 10A		
	35.000 Switching cycles with 14,5A		
Switching cycles:	600 cycles/hour		
Protection class:	IP54		
Protection class with sealing:	IP65		
Mounting:	Snap in version		
	2 Drilling holes \varnothing 4,2mm – 42mm		
	2 Drilling holes \varnothing 4,2mm – 62mm		
Panel cutout	Ca. 46,5mm x 22,1mm		
allowed ambient temperature:	-5 °C to 40 °C		
Coil versions:	Voltage / Frequency	Current Consumption	Resistance
	115V / 50Hz	26mA	1250 Ω +/- 50 Ω
	230V / 50Hz	12mA	5000 Ω +/- 400 Ω
	115V / 60Hz		900 Ω +/- 50 Ω
	120V / 60Hz		1100 Ω +/- 50 Ω
	230V / 60Hz		3800 Ω +/- 200 Ω

Weight:	depending on type	Approx. 71-90 gr.
dimensions:	 <p>The image contains two technical drawings of electrical components. The left drawing shows a component with a height of 40, a width of 21.5, and a depth of 45.5. The right drawing shows a component with a height of 38, a width of 21.5, and a depth of 45.5. Both components have a similar rectangular shape with a central slot and a small circular feature on top.</p>	