

5mm Straw hat LED Lamp

with integrated light source Intelligent control



RoHS
Compliant



Product Overview

25-7525 is a smart LED control circuit and light emitting circuit in one controlled LED source, which has the shape of a 5mm Straw hat LED lamp with white clear lens. Each lighting element is a pixel, and the intensities of the pixels are contained within the intelligent digital interface input. The output is driven by patented PWM technology, which effectively guarantees high consistency of the color of the pixels. The control circuit consists of a signal shaping amplification circuit, a built-in constant current circuit, and a high precision RC oscillator.

The data protocol being used is unipolar NRZ communication mode. The 24-bit data is transmitted from the controller to DIN of the first element, and if it is accepted it is extracted pixel to pixel. After an internal data latch, the remaining data is passed through the internal amplification circuit and sent out on the DO port to the remaining pixels. The pixel is reset after the end of DIN. Using automatic shaping forwarding technology makes the number of cascaded pixels without signal transmission only limited by signal transmission speed.

The LED has a low driving voltage (which allows for environmental protection and energy saving), high brightness, scattering angle, good consistency, low power, and long life. The control circuit is integrated in the LED above.

Main Application Field

- Full color LED string light, LED full color module, LED guardrail tube, LED appearance / scene lighting, spot light for advertising
- LED point light, LED pixel screen, LED shaped screen, a variety of electronic products, electrical equipment etc..

Description:

- Lamps LED internal integrated high quality external control line serial cascade constant current IC;
- Control circuit and the RGB chip in Lamps LED components, to form a complete control of pixel, color mixing uniformity and consistency;
- Built-in data shaping circuit, a pixel signal is received after wave shaping and output waveform distortion will not guarantee a line;
- The built-in power on reset and reset circuit, the power does not work;
- Grey level adjusting circuit (256 level grey scale adjustable);
- Red drive special treatment, color balance;
- Line data transmission;
- Plastic forward strengthening technology, the transmission distance between two points over 10M;
- Using a typical data transmission frequency of 800 Kbps, when the refresh rate of 30 frames per sec

Newark.com/exclusive-brands
Farnell.com/exclusive-brands
Element14.com/exclusive-brands

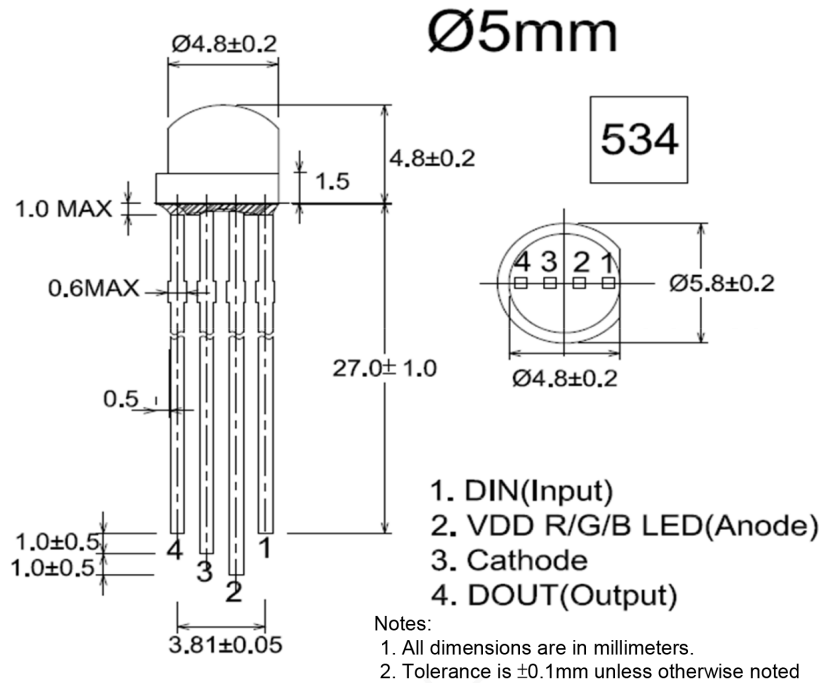


5mm Straw hat LED Lamp

with integrated light source Intelligent control



Mechanical Dimensions:



NO.	Symbol	Function description
1	DIN	Control data signal input
2	VDD	Power supply LED
3	VSS	Ground
4	DOUT	Control data signal output

Absolute Maximum Ratings (Ta=25°C, VSS=0V)

Parameter	Symbol	Range	Unit
Power supply voltage	VDD	+3.5 to +5.5	V
Logic input voltage	V _{IN}	-0.5 to VDD+0.5	V
Working temperature	T _{opt}	-40 to +85	°C
Storage temperature	T _{stg}	-50 to +150	°C
ESD pressure	V _{ESD}	4K	V



5mm Straw hat LED Lamp

with integrated light source Intelligent control

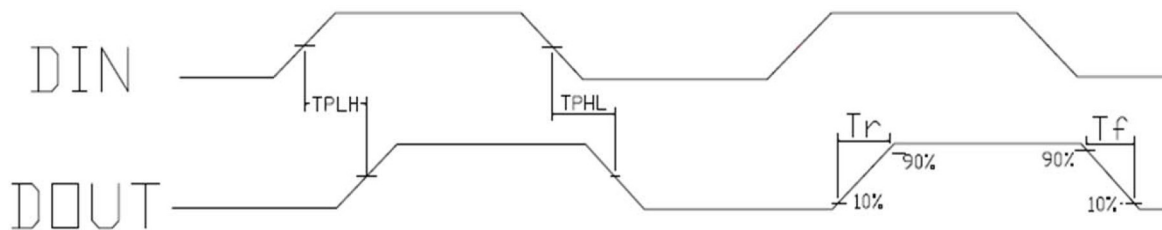


The electrical parameters (unless otherwise specified, TA=-20°C to +70°C, VDD=4.5 to 5.5V, VSS=0V):

Parameter	Symbol	Min	Typical	Max	Unit	Test conditions
The chip supply voltage	VDD	-	5.2	-	V	-
R/G/B port pressure	VDS,MAX	-	-	26	V	
DOUT drive capability	IDOH	-	49	-	mA	DOUT connect ground, the maximum drive current
	IDOL	-	-50	-	mA	DOUT connect +, the largest current
The signal input flip threshold	VIH	3.4	-	-	V	VDD=5V
	VIL	-	-	1.6	V	
The frequency of PWM	FPWM	-	1.2	-	KHZ	-
Static power consumption	IDD	-	1	1	mA	-

The dynamic parameters (Ta=25°C)

Parameter	Symbol	Min	Typical	Max	Unit	Test conditions
The speed of data transmission	fDIN	-	800	-	KHZ	The duty ratio of 67% (data 1)
DOUT transmission delay	TPLH	-	-	500	ns	DIN→DOUT
	TPHL					
IOUT Rise/Drop Time	Tr	-	100	-		VDS=1.5 IOUT=13mA
	Tf					



The data transmission time (TH+TL=1.25µs±600ns)

T0H	0 code, high level time	0.3µs	±0.15µs
T0L	0 code, low level time	0.9µs	±0.15µs
T1H	1 code, high level time	0.6µs	±0.15µs
T1L	1 code, low level time	0.6µs	±0.15µs
Trst	Reset code, low level time	80µs	



5mm Straw hat LED Lamp

with integrated light source Intelligent control

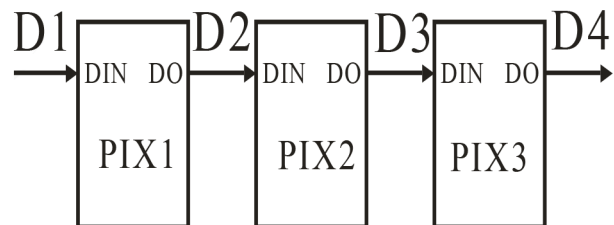


Timing waveform:

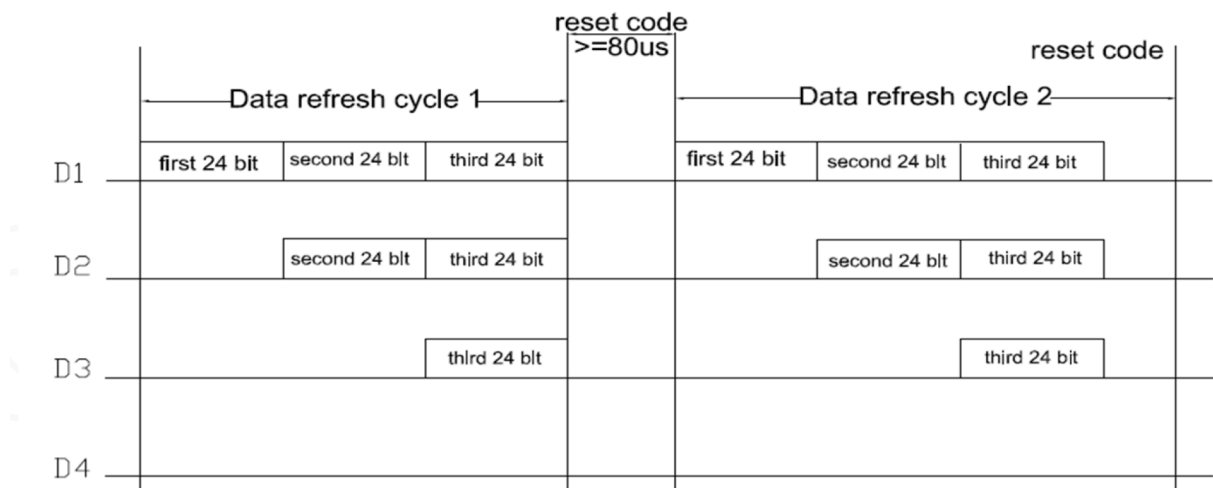
Input code:



Connection mode:



The method of data transmission



Note: the D1 sends data for MCU, D2, D3, D4 for data forwarding automatic shaping cascade circuit.

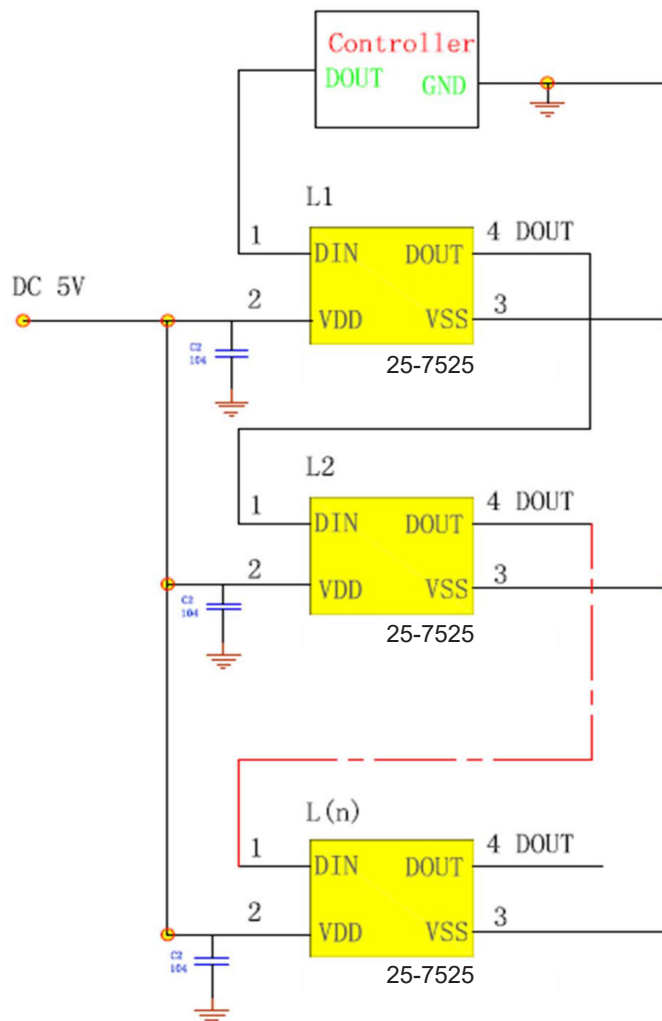


5mm Straw hat LED Lamp

with integrated light source Intelligent control

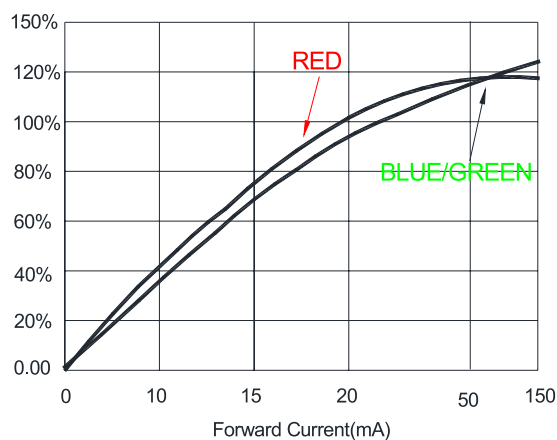


The typical application circuit

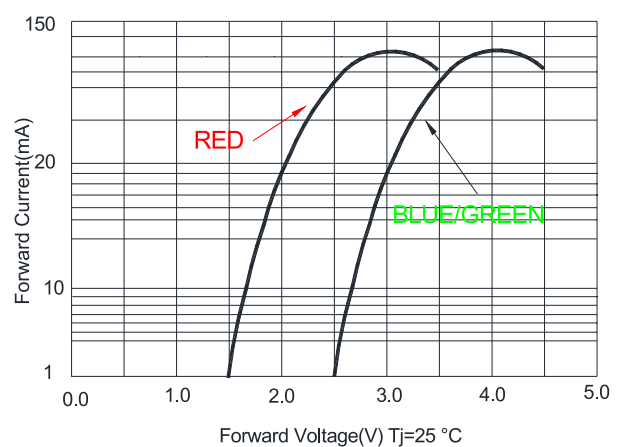


Standard LED Performance Graph

Typical Relative Luminous Flux vs. Forward Current



Forward Voltage vs. Forward Current



Newark.com/exclusive-brands
 Farnell.com/exclusive-brands
 Element14.com/exclusive-brands

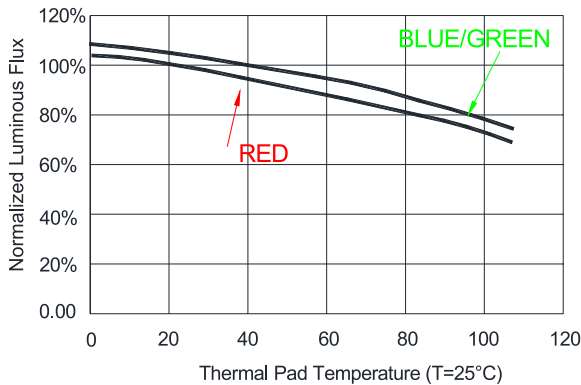


5mm Straw hat LED Lamp

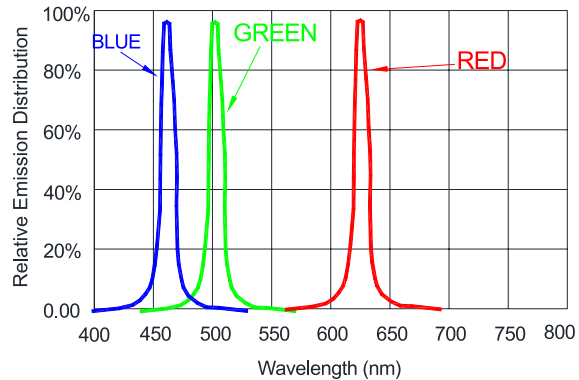
with integrated light source Intelligent control



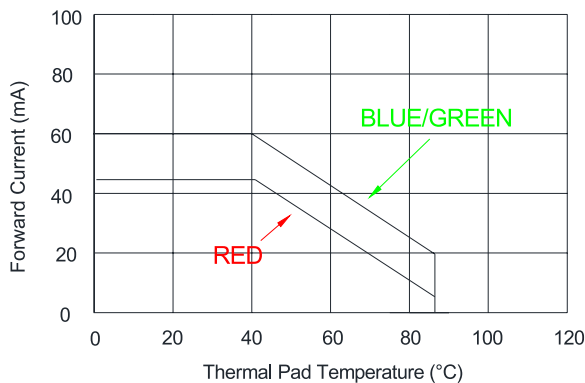
Thermal Pad Temperature vs. Relative Light Output



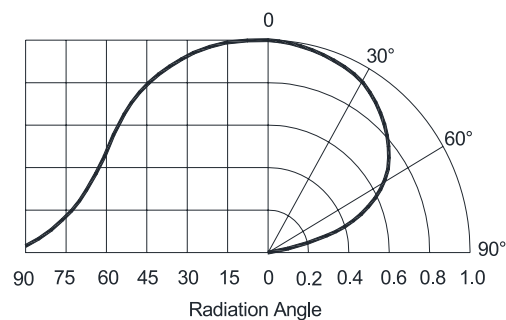
Wavelength Characteristics



Thermal Pad Temperature vs. Forward Current



Typical Radiation Pattern 120°



Part Number Table

Description	Part Number
5mm Straw hat LED Lamp with Integrated IC, RGB, 5.2V, Through-hole	25-7525

Important Notice : This data sheet and its contents (the "Information") belong to the members of the AVNET group of companies (the "Group") or are licensed to it. No licence is granted for the use of it other than for information purposes in connection with the products to which it relates. No licence of any intellectual property rights is granted. The Information is subject to change without notice and replaces all data sheets previously supplied. The Information supplied is believed to be accurate but the Group assumes no responsibility for its accuracy or completeness, any error in or omission from it or for any use made of it. Users of this data sheet should check for themselves the Information and the suitability of the products for their purpose and not make any assumptions based on information included or omitted. Liability for loss or damage resulting from any reliance on the Information or use of it (including liability resulting from negligence or where the Group was aware of the possibility of such loss or damage arising) is excluded. This will not operate to limit or restrict the Group's liability for death or personal injury resulting from its negligence. MCM is the registered trademark of Premier Farnell Limited 2019.

Newark.com/exclusive-brands
 Farnell.com/exclusive-brands
 Element14.com/exclusive-brands

