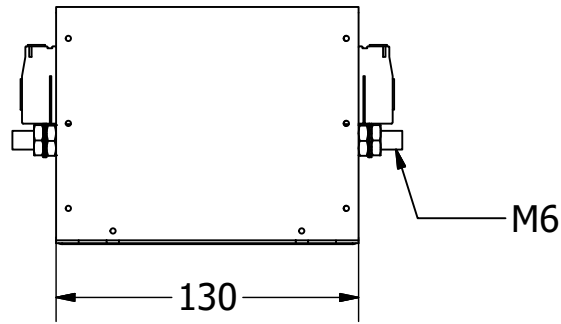
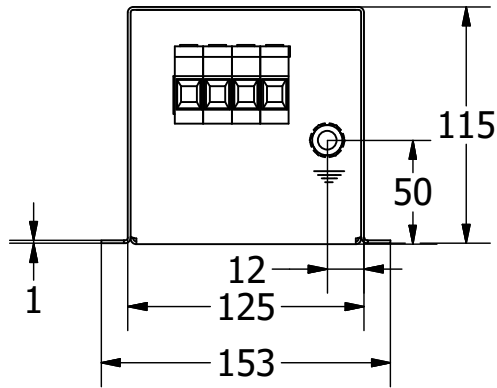
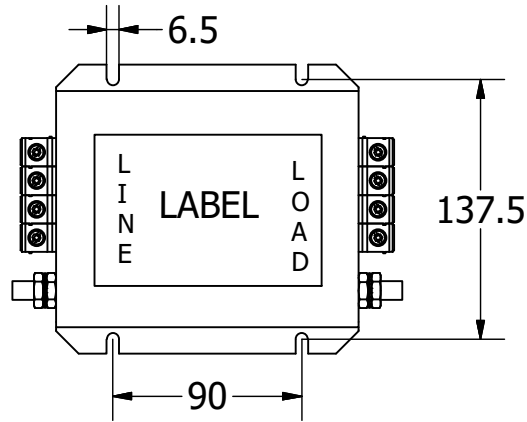


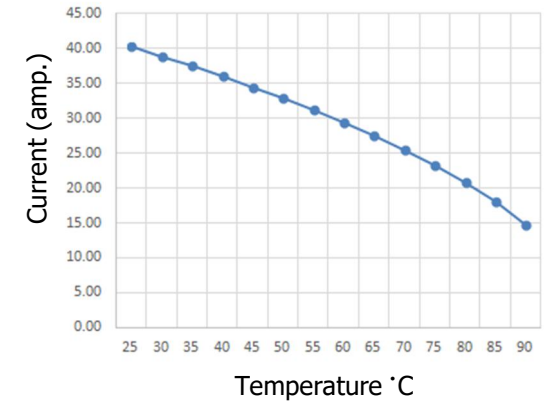
Mechanical Details



NOTES: UNLESS OTHERWISE SPECIFIED

1	TOLERANCE TO BE $\pm 1.0\text{mm}$.
2	ALL DIMENSIONS ARE IN MM
3	

Derating curve



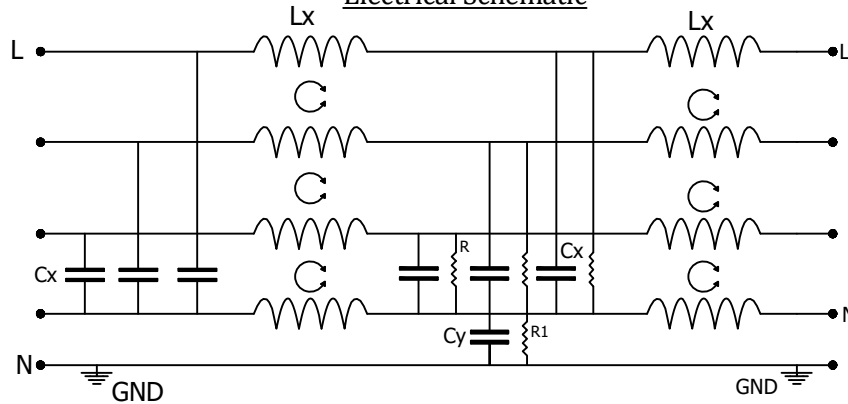
PRODUCT LABEL



SPECIFICATION

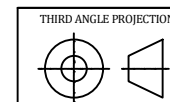
- 1) RATED VOLTAGE (MAX):
36 AMP, 480/520 VAC 50-60HZ;
- 2) Hi-pot RATING (ONE MINUTE):
LINE TO GROUND: 2750 VDC
LINE TO LINE: 1300 VDC
- 3) MAXIMUM LEAKAGE LINE TO GROUND:
10.7mA @520 VAC 60 Hz;
- 4) CLIMATE CLASS: 25/100/21
TEMPERATURE RANGE: -25°C to +100°C
OVERLOAD CURRENT: 1.5x Rated ct. for 1 min.

Electrical Schematic



50 ohm - 50 ohm Typical Insertion Loss

FREQUENCY MHZ	0.01	0.1	0.5	1.0	2.0	5.0	10
COMMON DB	2	47	63	51	41	30	21
DIFFERENTIAL DB	27	69	65	56	46	29	9



A	ISSUE	ECN	SUJIT	AJAY	AUG. 2020
REV.	DESCRIPTION		DWN	APVD.	APVD. DATE
<p>ARROW POWER COMPONENT A-40, Wazirpur Industrial Area New Delhi, 110052 www.emcemv.com</p>					
DRAWN BY	VERIFIED BY	APPROVED BY	CHECKED DATE		
SUJIT	ABHISHEK	AJAY	26-AUG-2020		
DESC. SINGLE PHASE SINGLE STAGE FILTER					PAGE 1 Of 1
SERIES EN328		PART NO. EN328H-36-T			