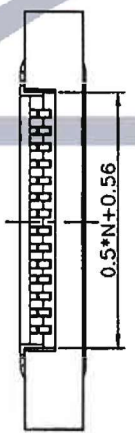
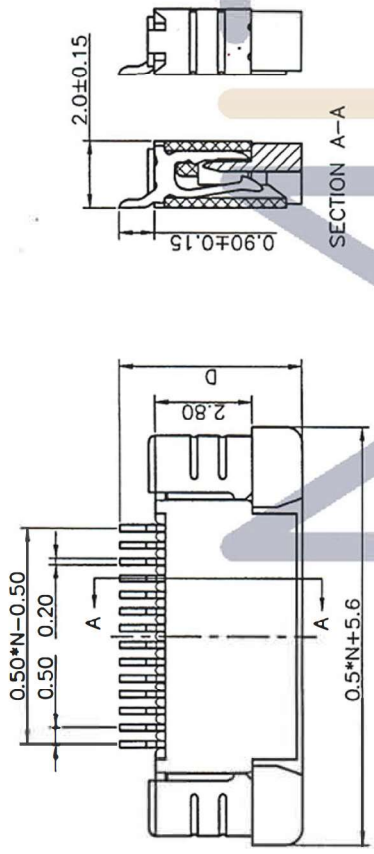
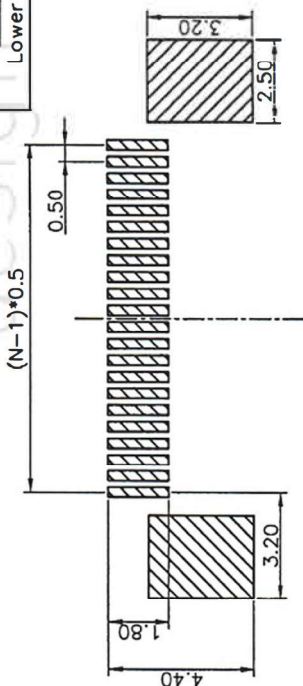
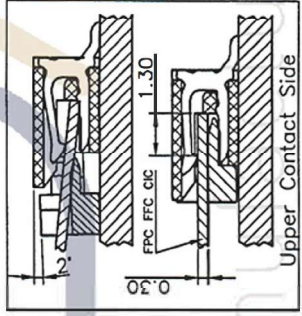
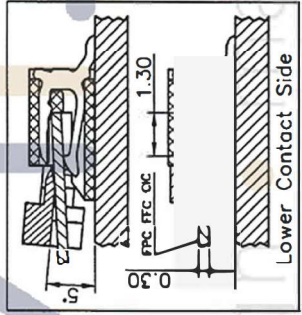


REV.	DESCRIPTION	DRAWN	CHECKED	APPROVED
A	NEW RELEASE	YCH 09/04/08'	~	LJC 09/04/08'
B	ADD PACKING TYPE	JLZ 04/02/15'	HZW 04/02/15'	LJC 04/02/15'
C	DRAWING UPDATE	JLZ 04/18/16'	HZW 04/18/16'	LJC 04/18/16'

N=4~34 D=5.2  
N=35~60 D=5.75



N=No. OF CONTACTS



RECOMMEND PCB LAYOUT(TOLERANCE=±0.05)

- NOTES:
- MATERIAL  
INSULATOR: THERMOPLAST(IUL 94V-0)  
CONTACT: COPPER ALLOY
  - SPECIFICATION  
TEMPERATURE: -40°C ~ +105°C  
CONTACT RESISTANCE: 30mΩ max.  
INSULATION RESISTANCE: 100MΩ min  
DWV: AC 100V PER MINUTE

Please note some position/orientation may be subject to MOQ

GENERAL TOLERANCE	ANGLE	TOLERANCE	TITLE	PROJECTION	0.50mm FPC CONNECTOR
X: ±0.60	X: ±5°		mm		R/A SMT TYPE
.X: ±0.38	.X: ±3°		A4	SHEET	MDC28-0.5-BC
.XX: ±0.25	.XX: ±2°				
DRAWING TYPE	CUSTOMER				
SCALE	1:1	SHEET	1 OF 1		
DRAWING NO.	C--				

ROHS COMPLIANT

MIDAS

design • manufacture • supply