



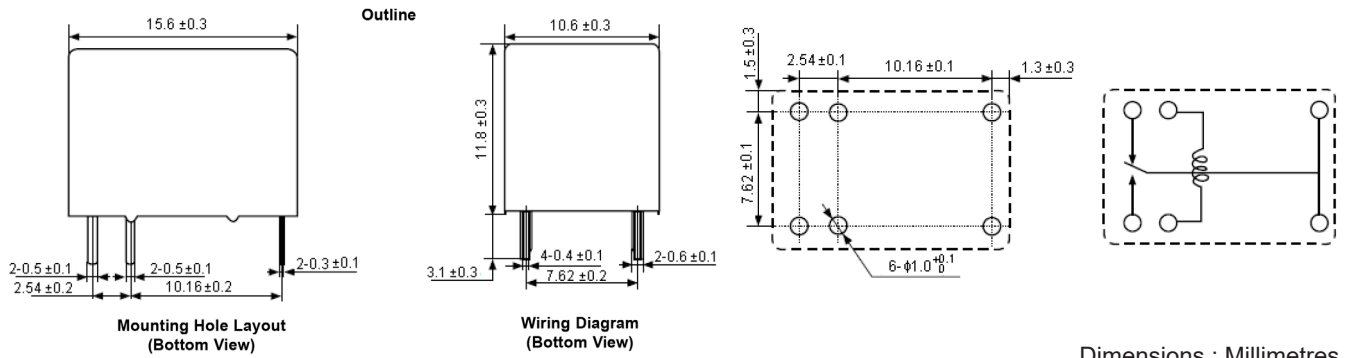
Features

- Microminiature relay.
Dimension : 15.6mm × 10.6mm × 11.8mm
- High sensitivity.
- Maximum switching capacity 3A
- Contact Form: 1 form C

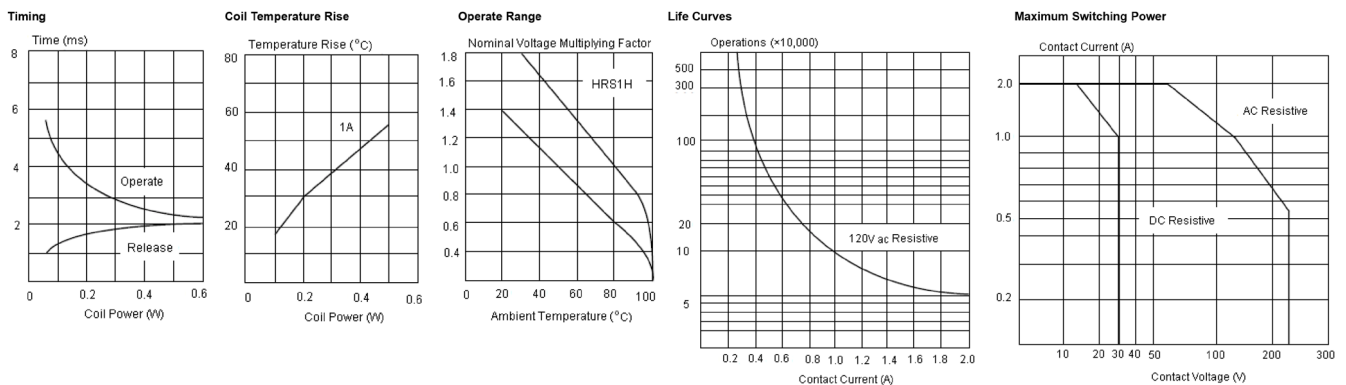
Specifications

Contact Data		
Contact Material		AuAg overlay, Ag Alloy
Contact Rating		1A 120V AC / 24V DC
		3A 120V AC / 24V DC
Contact Resistance		Maximum 50mΩ (6V DC 0.1A)
Load	Maximum Switching Voltage	220V AC / 30V DC
	Maximum Switching Current	3A
	Maximum Switching Power	360VA, 90W
	Minimum Switching Load	5V DC, 10mA
Life	Electrical	100,000 Operations (1A 120V AC / 24V DC) 50,000 Operations (3A 120V AC / 24V DC)
	Mechanical	10,000,000 Operations
Coil Data		
Nominal Coil Power		200mW, 360mW
General Data		
Insulation Resistance		Minimum 1,00MΩ 500V DC
Dielectric Strength	Between Open Contacts	750V AC, 1 Min
	Between Coil and Contacts	1,000V AC, 1 Min
Operate Time		Maximum 5ms
Release Time		Maximum 5ms
Operating Temperature		-25°C to +70°C
Humidity		35 to 95% RH, +40°C
Shock Resistance	Endurance	1,000m/s ²
	Misoperation	100m/s ²
Vibration Resistance	Endurance	10 to 55Hz, 1.5mm Double Amplitude
	Misoperation	

Out Line, Wiring Diagram, Mounting Hole Layout



Characteristic Chart Data



Coil Data

Ambient Temperature: 23°C

Nominal Voltage V DC	Coil Resistance Ω ±10%	Operate Voltage ≤V DC	Release Voltage ≥V DC	Coil Power mW	Part Number
5	125	3.75	0.5	200	HRS1H-S-DC5V
12	720	9	1.2		HRS1H-S-DC12V
24	2880	18	2.4		HRS1H-S-DC24V

Important Notice : This data sheet and its contents (the "Information") belong to the members of the AVNET group of companies (the "Group") or are licensed to it. No licence is granted for the use of it other than for information purposes in connection with the products to which it relates. No licence of any intellectual property rights is granted. The Information is subject to change without notice and replaces all data sheets previously supplied. The Information supplied is believed to be accurate but the Group assumes no responsibility for its accuracy or completeness, any error in or omission from it or for any use made of it. Users of this data sheet should check for themselves the Information and the suitability of the products for their purpose and not make any assumptions based on information included or omitted. Liability for loss or damage resulting from any reliance on the Information or use of it (including liability resulting from negligence or where the Group was aware of the possibility of such loss or damage arising) is excluded. This will not operate to limit or restrict the Group's liability for death or personal injury resulting from its negligence. Multicomp Pro is the registered trademark of Premier Farnell Limited 2019.