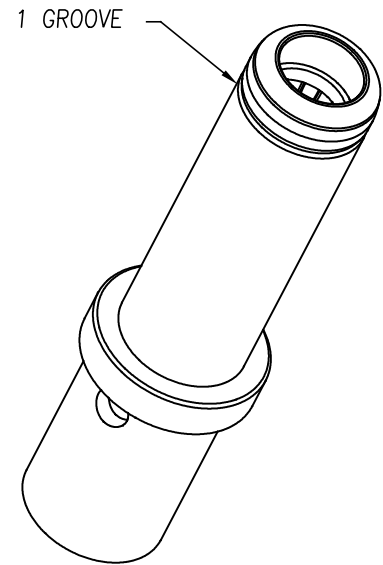
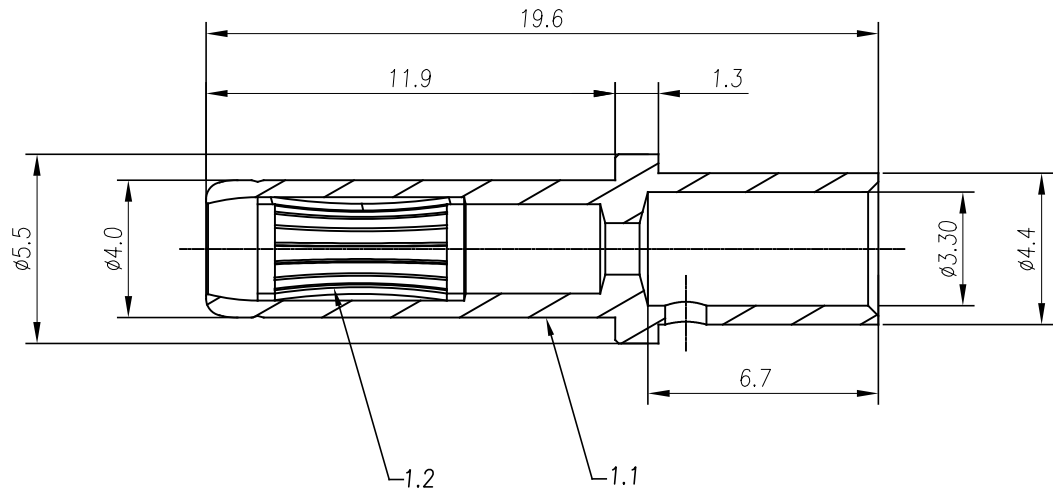


| REVISIONS |     |                  |             |       |       |
|-----------|-----|------------------|-------------|-------|-------|
| REV       | ECO | DESCRIPTION      | DATE        | BY    | APPR  |
| A1        | -   | RELEASED DRAWING | DEC-12-2019 | BLINK | TOMMY |
| A2        | -   | ADD MARK GROOVE  | APR-20-2020 | BLINK | TOMMY |



- NOTES: (UNLESS OTHERWISE SPECIFIED)
- MATERIAL:
    - CONTACT BODY: COPPER ALLOY, SILVER PLATED.
    - CROWN SRPRING CONTACT: COPPER ALLOY, GOLD FLASH.
  - SPECIFICATIONS:
    - CURRENT RATING: 32A(MAX).
    - TERMINATION TYPE: CRIMPING.
    - WIRE RANGE: 10~12AWG .
  - SUITABLE SOCKET TYPE: SC000611&SC000565.
  - RoHS COMPLIANT.
  - ALL DIMENSIONS ARE FOR REFERENCE USE ONLY.

TITLE: 2.4MM FEMALE SURESOCKET™  
 DWG NO: SC000612  
 REV: A2  
 SH: 1  
 OF: 1

| QUANTITY  | PART NUMBER | DESCRIPTION  | ITEM  |
|---|-------------|--|---|
| <b>MATERIALS LIST</b>   |             |  |   |
| UNLESS OTHERWISE SPECIFIED<br>1) All dimensions are in metric(mm).<br>2) Tolerances are as follows:<br>1 PL DEC ±0.30 Fractions ±1/64<br>2 PL DEC ±0.15 Angles ±1°<br>3 PL DEC ±0.08<br>3) Note reference = |             | <b>SIGNATURES</b> <b>DATE</b><br>DRAWN: BLINK    MAR-18-2020<br>CHECKED: ORION    MAR-20-2020<br>ENGINEER:<br>APPROVAL: TOMMY    MAR-23-2020<br>CUSTOMER:  | <b>Amphenol</b><br>Sine Systems - www.amphenol-sine.com<br>44724 Morley Drive<br>Clinton Township, MI 48036 |
| MATERIAL SPECIFICATIONS:  |             | 2.4MM, FEMALE SURESOCKET™<br>MACHINED CONTACT, 10-12AWG  |   |
| PROCESS SPECIFICATIONS:   |             | THIS DRAWING IS SUPPLIED FOR INFORMATION ONLY. DESIGN FEATURES, SPECIFICATIONS AND PERFORMANCE DATA SHOWN HEREON ARE THE PROPERTY OF THE AMPHENOL CORPORATION. NO RIGHTS OF REPRODUCTION ARE IMPLIED. ALL DIMENSIONS ARE SUBJECT TO NORMAL MANUFACTURING VARIATIONS. | REVISION: A2<br>SIZE: B<br>TYPE: C-<br>DWG NO: SC000612<br>SCALE: NONE                                      |
| NEXT ASSY:  |             | SHEET 1 OF 1   |   |