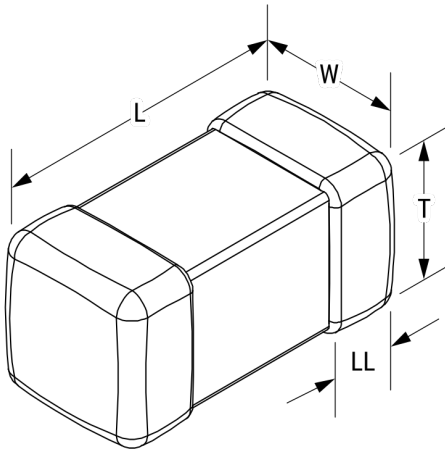


L1210R2R2MDWIT

Aliases (L1210R2R2MDWIT)

KEMET, L-DWI, Power, 2.2 uH, 20%



Click [here](#) for the 3D model.

Dimensions

Chip Size	1210
L	3.2mm +/-0.2mm
W	2.5mm +/-0.2mm
T	2.5mm +/-0.2mm
LL	0.6mm +/-0.3mm

Packaging Specifications

Packaging	T&R
Packaging Quantity	1000

General Information

Series	L-DWI
Style	SMD Chip
Description	Surface Mount Inductor
Features	High Current Type
RoHS	Yes

Specifications

Inductance	2.2 uH (0.1MHz)
Inductance Tolerance	20%
Temperature Range	-40/+105°C
Current	2000 mAmps (Isat, 30% Drop In Inductance), 1130 mAmps (Irms, 40C Rise By Self Heating)
DC Resistance	0.08 Ohms
Self-Resonant Frequency	190 MHz