



Specifications:

Electrical Characteristics:

Rating	: 1.8A (PIN1/5), 0.5A PIN2/3/4)
Contact Resistance	: 30mΩ Max. (Initial)
Dielectric With Standing Voltage	: 300V AC for one minute.
Insulation Resistance	: 100MΩ Min. (Measured by 500V DC)

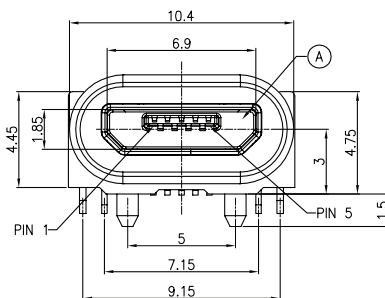
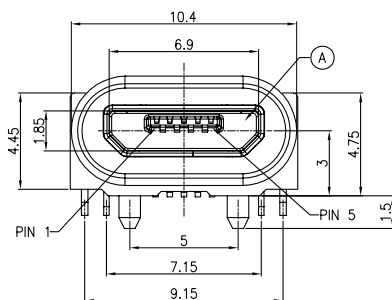
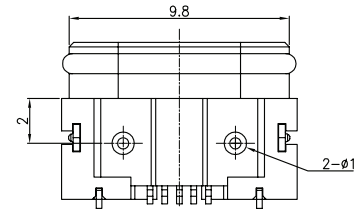
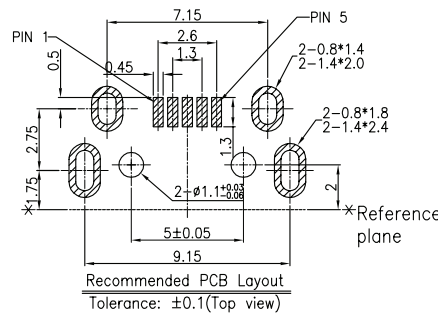
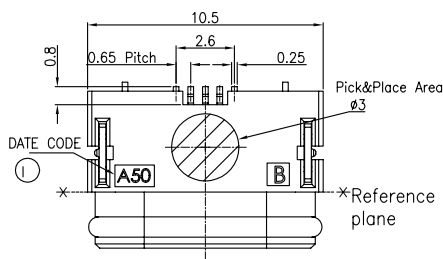
Mechanical Characteristics:

Insertion Force	: 3.6 KGF (Max.)
Withdrawal Force	: 0.8 KGF (Reference)
Durability	: 10,000 Cycles
Waterproofness	: This product is based on IPX7 (1m, 30min.)
Plug interface dimensions conform to USB2.0 Spec.	

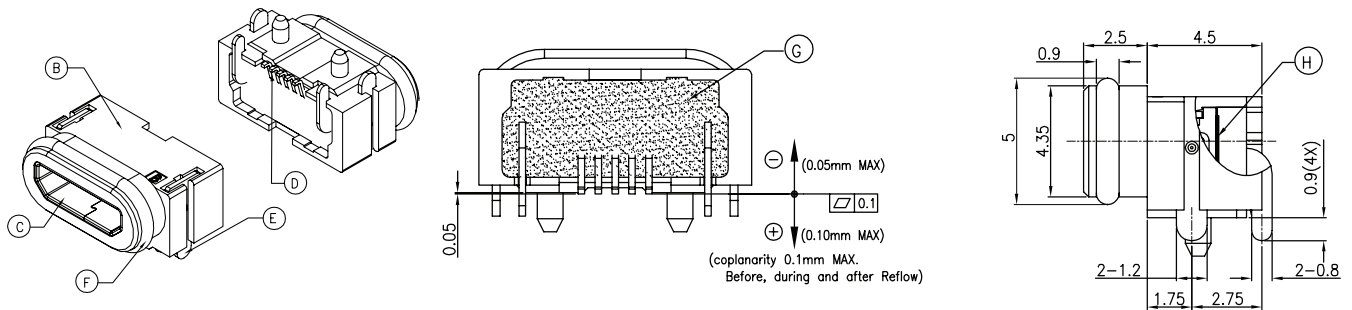
Oval Ring

The amount of low molecular siloxanes (D3 to D10) is less than 200ppm
 Hardness of silicon rubber : 70°
 Horizontal flash 0.1 max; Longitudinal flash 0.1 max.
 Body with O-ring's seal area burrs is 0.05mm Max.
 For reflow soldering lead-free process.

Diagram



Dimensions : Millimetres



Dimensions : Millimetres

No.	Description	Qty.	Material	Plating & Colour
A	Housing	1	LCP	Black
B	Cover	1	PA9T	Black
C	Shell	1	SUS 304	Nickel
D	Contact	5	Brass	Gold Flash Plating Matte Tin 50µ" min on solder tail Nickel 50µ" min plating all over
E	Terminal	2	SPCC	Matte Sn 80µ" min; Cu 80µ" min underplate
F	Oval Ring	1	Silicon	-
G	Bond	1	Epoxy	-
H	Mylar	1	-	Yellow
I	Ink	-	-	Black

Part Number Table

Description	Part Number
Waterproof Micro USB	MC001006

Important Notice : This data sheet and its contents (the "Information") belong to the members of the AVNET group of companies (the "Group") or are licensed to it. No licence is granted for the use of it other than for information purposes in connection with the products to which it relates. No licence of any intellectual property rights is granted. The Information is subject to change without notice and replaces all data sheets previously supplied. The Information supplied is believed to be accurate but the Group assumes no responsibility for its accuracy or completeness, any error in or omission from it or for any use made of it. Users of this data sheet should check for themselves the Information and the suitability of the products for their purpose and not make any assumptions based on information included or omitted. Liability for loss or damage resulting from any reliance on the Information or use of it (including liability resulting from negligence or where the Group was aware of the possibility of such loss or damage arising) is excluded. This will not operate to limit or restrict the Group's liability for death or personal injury resulting from its negligence. Multicomp Pro is the registered trademark of Premier Farnell Limited 2019.