

4.1-9.5 Male to 7/16 Male Adapter

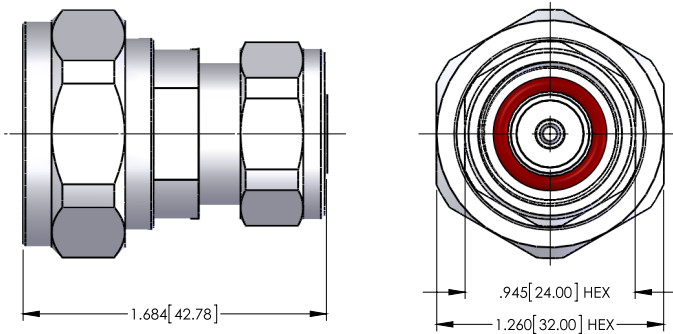
**RoHS
Compliant**



Specifications:

Impedance	: 50Ω
Frequency Range	: 0 to 3 GHz
Max. PIM	: -160dBc Max. (1900 MHz)
Insertion Loss (dB)	: 0.05 dB Max. @ 3 GHz
Working Voltage	: 1,200Vrms Max. @ Sea Level
Insulation Resistance	: 5,000MΩ Min.
Mating Cycles	: 500
Temperature Range	: -55°C to +165°C

Diagram



No	Description	Material	Finish	Qty
1	7/16-4.1/9.5 Body	Brass	White Bronze	1
2	7/16-4.1/9.5 Pin	Phos. Bronze	Silver	1
3	Insulator	PTFE	-	1
4	4.1-9.5 Shell	Brass	White Bronze	1
5	DIN Shell	Brass	White Bronze	1
6	O-Ring	Rubber	-	1
7	Retaining Ring	BeCu	White Bronze	1

Part Number Table

Description	Part Number
4.1-9.5 Male to 7/16 Male Adapter	MCRF0014

Dimensions : Inches (Millimetres)

Important Notice : This data sheet and its contents (the "Information") belong to the members of the AVNET group of companies (the "Group") or are licensed to it. No licence is granted for the use of it other than for information purposes in connection with the products to which it relates. No licence of any intellectual property rights is granted. The Information is subject to change without notice and replaces all data sheets previously supplied. The Information supplied is believed to be accurate but the Group assumes no responsibility for its accuracy or completeness, any error in or omission from it or for any use made of it. Users of this data sheet should check for themselves the Information and the suitability of the products for their purpose and not make any assumptions based on information included or omitted. Liability for loss or damage resulting from any reliance on the Information or use of it (including liability resulting from negligence or where the Group was aware of the possibility of such loss or damage arising) is excluded. This will not operate to limit or restrict the Group's liability for death or personal injury resulting from its negligence. Multicomp Pro is the registered trademark of Premier Farnell Limited 2019.

Newark.com/multicomp-pro
Farnell.com/multicomp-pro
Element14.com/multicomp-pro