

3.5mm 4 Pole Audio Jack

SMT, IPX5/7

multicomp PRO

**RoHS
Compliant**



Specifications:

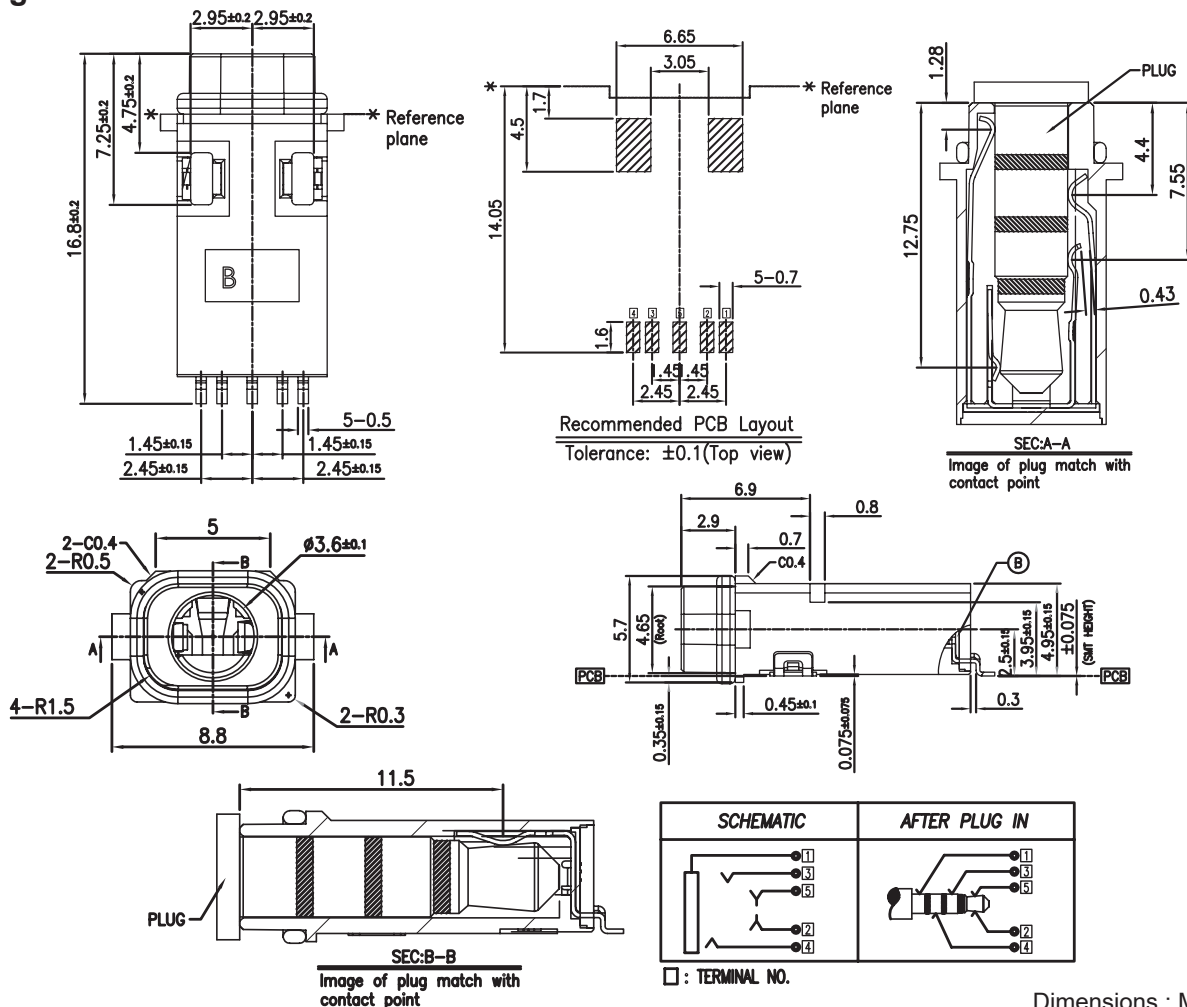
Electrical Characteristics:

- Insulation Resistance : A Voltage of 500V DC
- Contact Resistance : Between Plug and Terminals 30mΩ Max.
Between Switch Parts 100mΩ Max.
- Voltage Proof : 500V AC for one minute

Mechanical Characteristics

- Inserting Force : 0.6 to 2 kgf.
- Withdrawal Force : 0.6 to 2 kgf.
- Life Test : 5,000 Cycles.
- Water proofness : This product is based on IPX5/7 of the JIS Standard.
- Using Plug : 3.5mm, 4-Pole Stereo
- Housing Strength is 50N Max.

Diagram



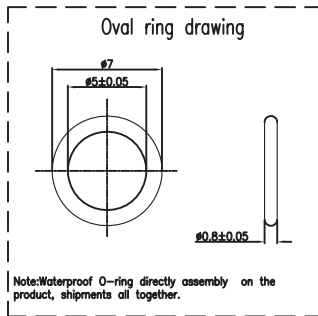
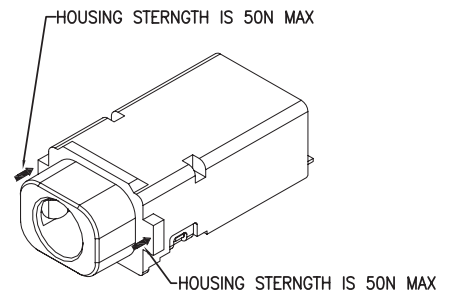
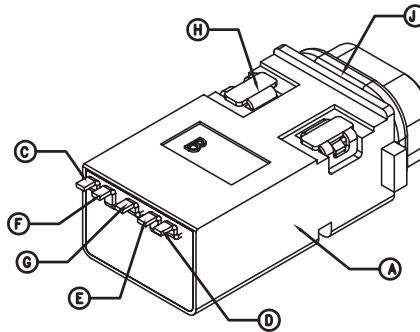
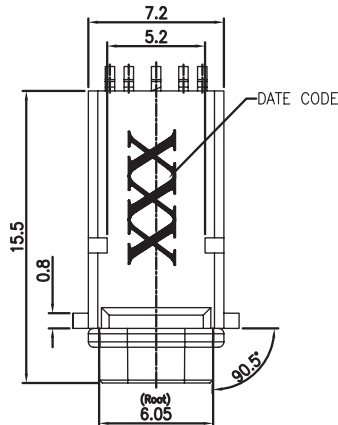
Newark.com/multicomp-pro
Farnell.com/multicomp-pro
Element14.com/multicomp-pro

multicomp PRO

3.5mm 4 Pole Audio Jack

SMT, IPX5/7

multicomp PRO



Dimensions : Millimetres

No.	Description	Material	Plating & Colour	Qty
A	Housing	Part UL94V-0	Black	1
B	Cover	Part UL94V-0	Black	
C	Earth Spring	Copper Alloy	Gold Flash Plating; Ni 40µ" Min Underplate	
D	Ring Spring-1			
E	Ring Spring-2			
F	Tip Spring-1			
G	Tip Spring-2			
H	Terminal	Brass		
I	Bond	Silicone		
J	Oval Ring	Epoxy	Blue	

Part Number Table

Description	Part Number
3.5mm 4 Pole Audio Jack, SMT, IPX5/7	PS000001

Important Notice : This data sheet and its contents (the "Information") belong to the members of the AVNET group of companies (the "Group") or are licensed to it. No licence is granted for the use of it other than for information purposes in connection with the products to which it relates. No licence of any intellectual property rights is granted. The Information is subject to change without notice and replaces all data sheets previously supplied. The Information supplied is believed to be accurate but the Group assumes no responsibility for its accuracy or completeness, any error in or omission from it or for any use made of it. Users of this data sheet should check for themselves the Information and the suitability of the products for their purpose and not make any assumptions based on information included or omitted. Liability for loss or damage resulting from any reliance on the Information or use of it (including liability resulting from negligence or where the Group was aware of the possibility of such loss or damage arising) is excluded. This will not operate to limit or restrict the Group's liability for death or personal injury resulting from its negligence. Multicomp Pro is the registered trademark of Premier Farnell Limited 2019.

Newark.com/multicomp-pro
 Farnell.com/multicomp-pro
 Element14.com/multicomp-pro

multicomp PRO