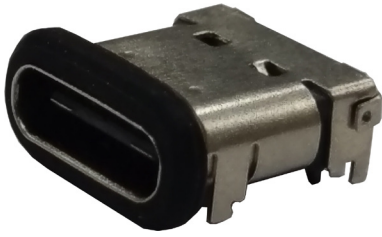


# USB 3.1 Type C Receptacle

## R/A DIP, 0.29mm Center Height, Waterproof

**multicomp** PRO

**RoHS  
Compliant**



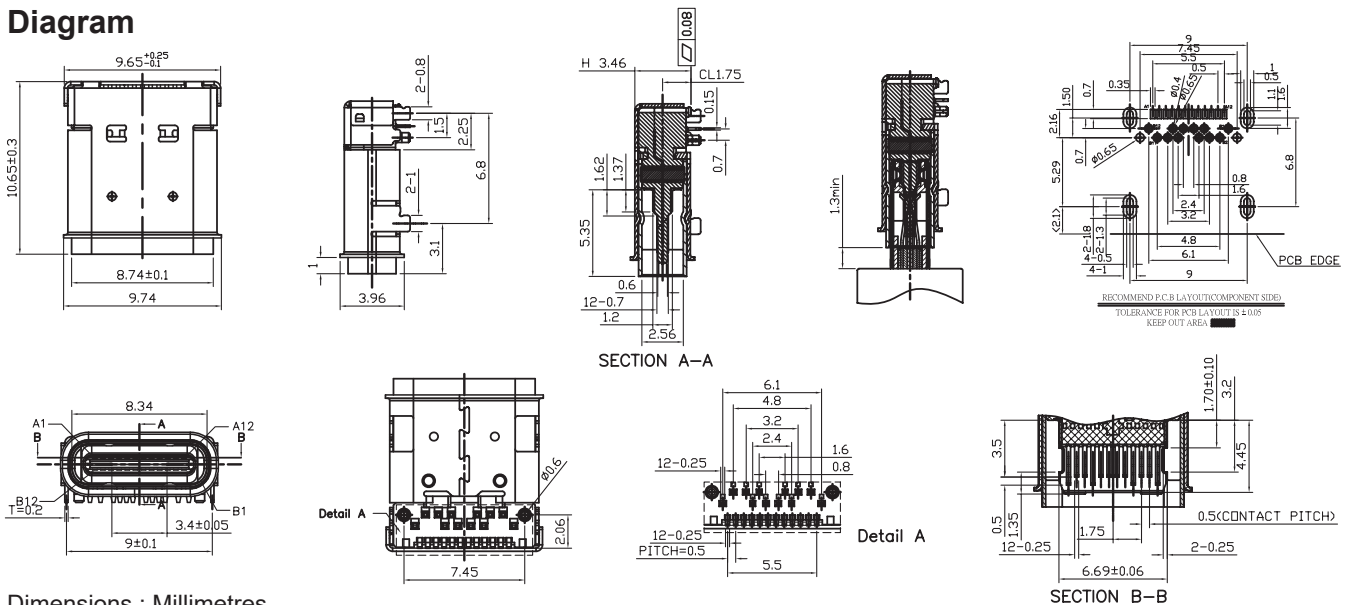
### Specifications

USB Connector Type	: USB 3.1 Type C Receptacle
No. of Contacts	: 24
USB Connector Mounting	: R/A Surface Mount, Through Hole
Insulator Material	: High Temperature Plastic UL94V-0, Black
Shell Material	: Stainless Steel (0.2mm), 50µ" Min. Nickel Plating All Over Inner Shell: Degrease
Contact Material	: Copper Alloy (0.15mm)
Contact Plating	: Min. 50µ" Gold Plating All Over Contact Area Min. 80µ" Matt Tin Plating All Over Solder Area
Contact Resistance	: 40mΩ Max. For Initial; 10mΩ for Initial

### Measure @ 20mV, 100mA after test

Contact Current Rating	: 5A for VBUS Pin; 1.25A for VCONN Pin
Dielectric Withstanding Voltage	: 100V AC RMS
Insulation Resistance	: 100MΩ Min.
Operating Temperature	: -40°C ~ 85°C
Mating Force	: 5 ~ 20N
Unmated Force	: 8 ~ 20N
Durability	: 10,000 Cycles

### Diagram



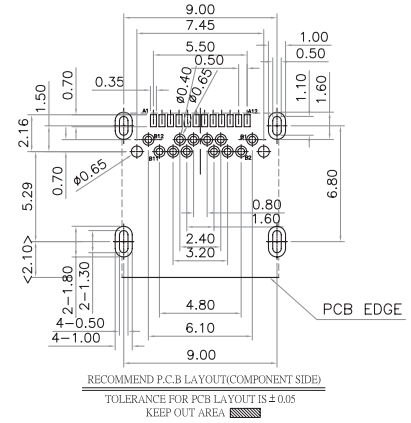
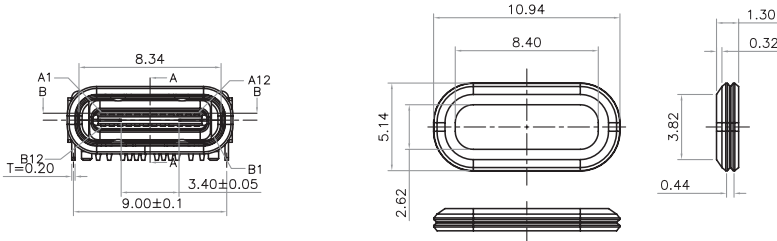
Dimensions : Millimetres

Newark.com/multicomp-pro  
Farnell.com/multicomp-pro  
Element14.com/multicomp-pro

**multicomp** PRO

# USB 3.1 Type C Receptacle

## R/A DIP, 0.29mm Center Height, Waterproof



Pin	Signal Name	Mating Sequence	Pin	Signal Name	Mating Sequence
A1	GND	First	B12	GND	First
A2	SSTXp1	Second	B11	SSRXp1	Second
A3	SSTXn1	Second	B10	SSRXn1	Second
A4	V <sub>BUS</sub>	First	B9	V <sub>BUS</sub>	First
A5	CC1	Second	B8	SBU2	Second
A6	Dp1	Second	B7	Dn2	Second
A7	Dn1	Second	B6	Dp2	Second
A8	SBU1	Second	B5	CC2	Second
A9	V <sub>BUS</sub>	First	B4	V <sub>BUS</sub>	First
A10	SSRXn2	Second	B3	SSTXn2	Second
A11	SSRXp2	Second	B2	SSTXp2	Second
A12	GND	First	B1	GND	First

Dimensions : Millimetres

This product range is available in Cut & Tape and Tape & Reel Options

### Part Number Table

Description	Part Number
USB 3.1 Type C Receptacle, Waterproof, 24Pos, R/A DIP, 0.29mm Center Height	MC002811

**Important Notice :** This data sheet and its contents (the "Information") belong to the members of the AVNET group of companies (the "Group") or are licensed to it. No licence is granted for the use of it other than for information purposes in connection with the products to which it relates. No licence of any intellectual property rights is granted. The Information is subject to change without notice and replaces all data sheets previously supplied. The Information supplied is believed to be accurate but the Group assumes no responsibility for its accuracy or completeness, any error in or omission from it or for any use made of it. Users of this data sheet should check for themselves the Information and the suitability of the products for their purpose and not make any assumptions based on information included or omitted. Liability for loss or damage resulting from any reliance on the Information or use of it (including liability resulting from negligence or where the Group was aware of the possibility of such loss or damage arising) is excluded. This will not operate to limit or restrict the Group's liability for death or personal injury resulting from its negligence. Multicomp Pro is the registered trademark of Premier Farnell Limited 2019.

Newark.com/multicomp-pro  
Farnell.com/multicomp-pro  
Element14.com/multicomp-pro

