

USB 3.1 Type C Receptacle
Mid-Mount DIP, 0.3mm Center Height, Waterproof

multicomp PRO

**RoHS
 Compliant**



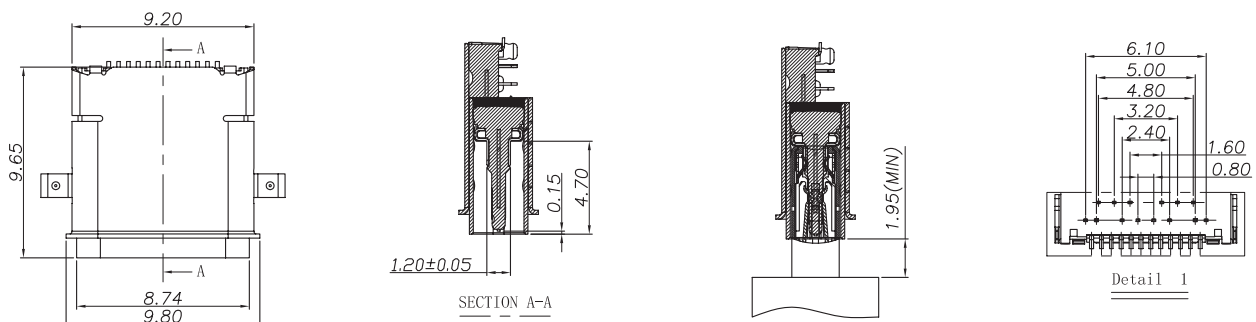
Specifications

USB Connector Type	: USB 3.1 Type C Receptacle
No. of Contacts	: 24
USB Connector Mounting	: Mid-Mount Through Hole
Contact Current Rating	: 5A (VBUS Pin, 1.5A/Pin) 5A (GND Pin, 1.25A/Pin Max) Other Pin: 0.25A/Pin
Insulation Resistance	: 100MΩ Min. @250VDC
Dielectric Withstanding Voltage	: 100VAC Min.
Low Level Contact Resistance	: Initial 40mΩ Max; After 50mΩ Max
Operating Temperature	: -40°C ~ 80°C
Mating Force	: 5 ~ 20N
Unmated Force	: 8 ~ 20N (Initial); 6 ~ 20N (After 10000 Cycles)

Material Specifications

Parameter	Material	Plating	Thickness
Housing	High Temp Plastic	Black	-
Terminal - A	Copper Nickel Silicon Alloy	Contact Area: 15μ" Gold Soldering Area: 1μ" Gold, 40μ" Nickel	T = 0.12mm
Terminal - B			T = 0.12mm
MID Plate	Stainless Steel	-	T = 0.15mm
GND Plate	Stainless Steel	Nickel Plating	T = 0.1mm
Shell - 1	Stainless Steel	Nickel Plating	T = 0.2mm
Shell - 2	Stainless Steel	Nickel Plating	T = 0.2mm
Glue Water	Epoxy	Black	-

Diagram



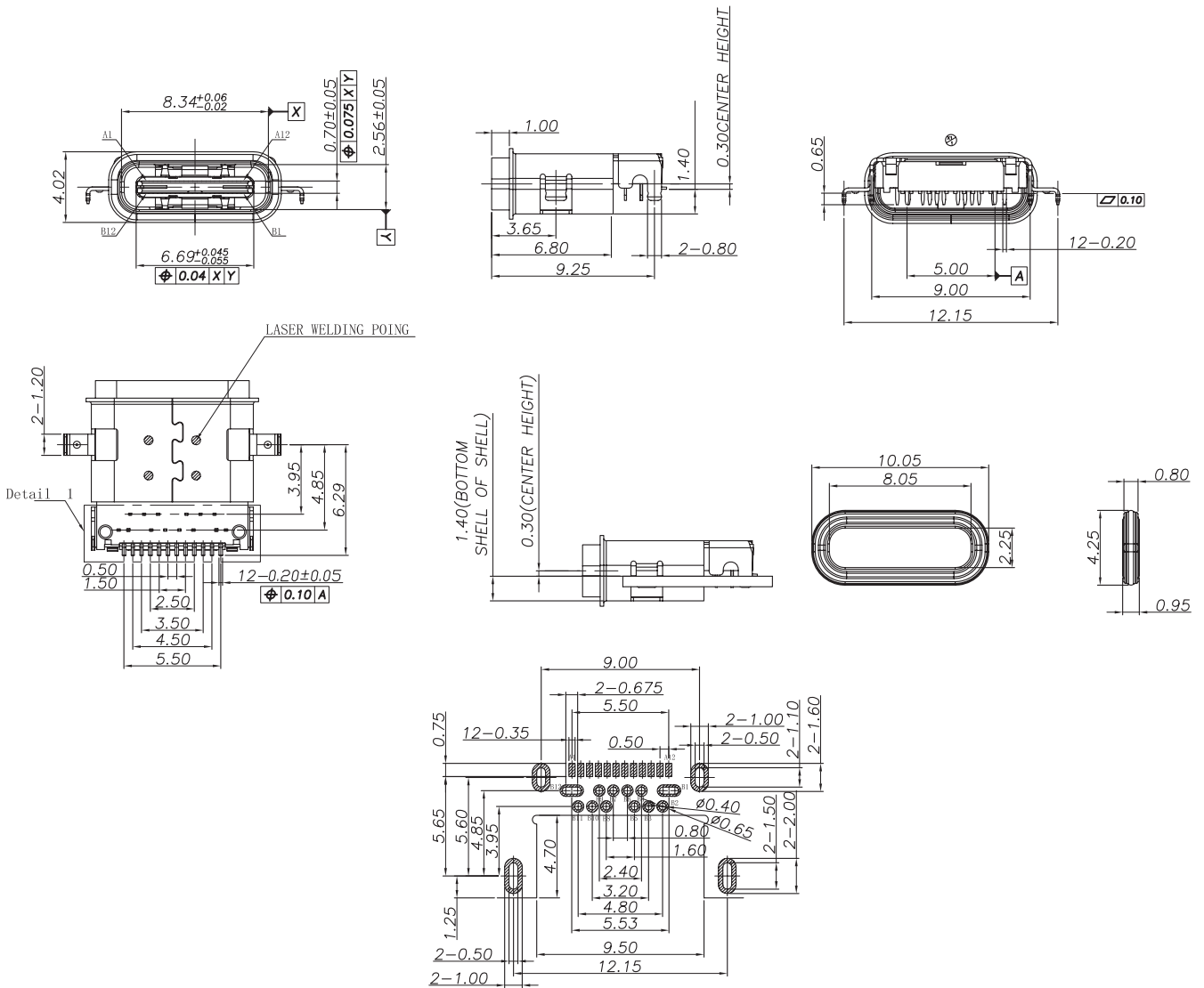
Dimensions : Millimetres

Newark.com/multicomp-pro
 Farnell.com/multicomp-pro
 Element14.com/multicomp-pro

multicomp PRO

USB 3.1 Type C Receptacle

Mid-Mount DIP, 0.3mm Center Height, Waterproof



RECOMMENDED P.C.B LAYOUT(Both sides are sample)
Tolerance:±0.05,Thickness=0.60mm

Dimensions : Millimetres

Part Number Table

Description	Part Number
USB 3.1 Type C Receptacle, Waterproof, 24Pos, Mid-Mount DIP, 0.3mm Center Height	MC002812

Important Notice : This data sheet and its contents (the "Information") belong to the members of the AVNET group of companies (the "Group") or are licensed to it. No licence is granted for the use of it other than for information purposes in connection with the products to which it relates. No licence of any intellectual property rights is granted. The Information is subject to change without notice and replaces all data sheets previously supplied. The Information supplied is believed to be accurate but the Group assumes no responsibility for its accuracy or completeness, any error in or omission from it or for any use made of it. Users of this data sheet should check for themselves the Information and the suitability of the products for their purpose and not make any assumptions based on information included or omitted. Liability for loss or damage resulting from any reliance on the Information or use of it (including liability resulting from negligence or where the Group was aware of the possibility of such loss or damage arising) is excluded. This will not operate to limit or restrict the Group's liability for death or personal injury resulting from its negligence. Multicomp Pro is the registered trademark of Premier Farnell Limited 2019.

Newark.com/multicomp-pro
Farnell.com/multicomp-pro
Element14.com/multicomp-pro

